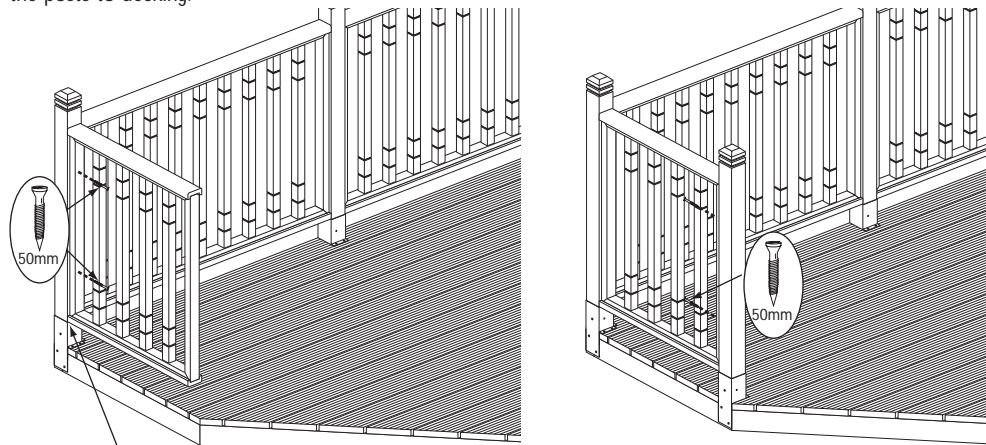
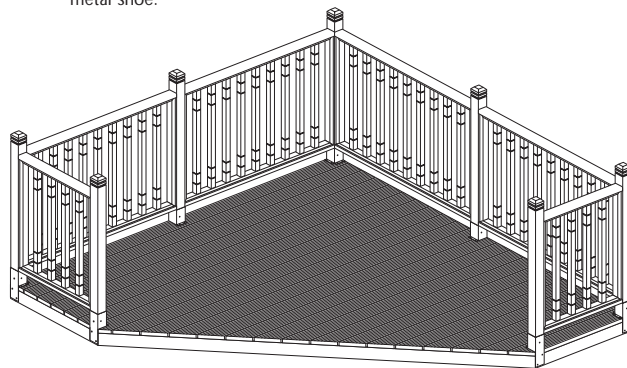


5. Small fences

Secure the small fences to the left-hand side corner post just above the metal shoe using 2 x 50mm screws. Position a metal straight shoe with post against the fence and secure to the decking as before, then secure the fence to the post using 2 x 50mm screw. Repeat for the right-hand small fence. To finish square up balustrade and posts and fully secure the posts to decking.



Position the bottom of the fence just above the metal shoe.



Note

To finish square up balustrade and posts and fully secure the posts to decking.

Important information

Timber Information.

As timber is a natural material, there are certain weather conditions that may affect the materials properties. In times of excessive dry spells the material may lose some of its internal moisture causing a certain degree of shrinkage and in periods of excessive rain there will be a certain amount of swelling throughout the timber. This process can not be avoided. If you have problems with certain boards shrinking during hot spells spray water directly onto the timber with the aid of a garden hose.

If in doubt of any aspect regarding the assembly, use or safety of your decking please contact us :

Help Line (Normal Office Hours) 01829 261 121

ROWLINSON GARDEN PRODUCTS LIMITED
Unit 2 Green Lane
Wardle Nr. Nantwich
Cheshire
CW5 6BN
Tel : 01829 262 080
Fax : 01829 262 089

We constantly improve the quality of our products, occasionally the components may differ from the components shown and are only correct at time of printing. We reserve the right to change the specification of our products without prior notice.

2006 © Rowlinson Garden Products Ltd

ROWLINSON™
GARDEN PRODUCTS

Balustrade kit

English SS148A

Assembly Instructions



Caution

The Metal components of this kit may have sharp edges. Wear protective work gloves while handling these components.

Before assembly

- We recommend that time is taken to read the instructions before starting assembly, then follow the easy step by step guide. The instruction sheet is only a guide to the assembly. Certain items may not be shown to scale.
- Check all components prior to assembly
- Some of the components may have sharp edges wear protective work gloves while handling components.
- This product should be assembled by no less than 2 people



x 2



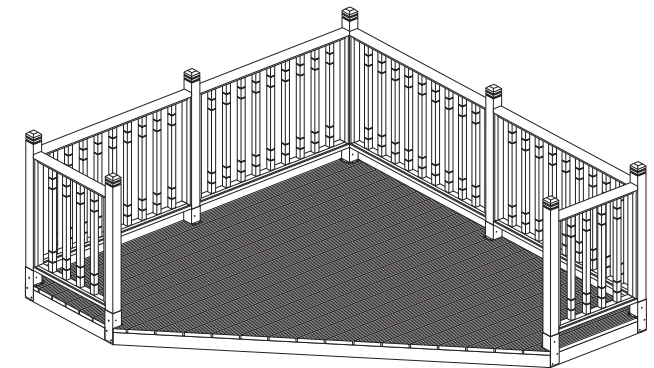
Gloves

Recommended tools for assembly

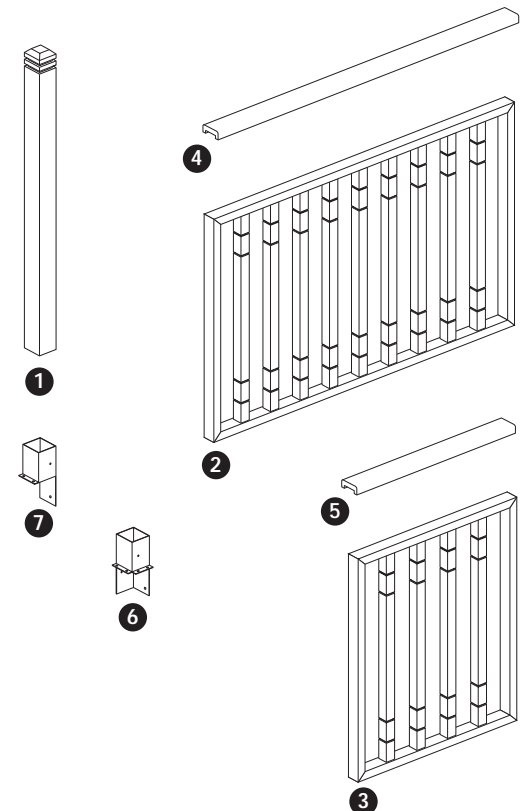
- Cross head screw driver
- Mallet
- Gloves

No.	Components	Qty.
1	Newel post	7
2	Large balustrade fence	4
3	Small balustrade fence	2
4	Large hand/base rail	8
5	Small hand/base rail	4
6	Metal corner shoe	3
7	Metal straight shoe	4

No.	Fixing Kit	Qty.
8	35mm screws	45
9	50mm screws	59

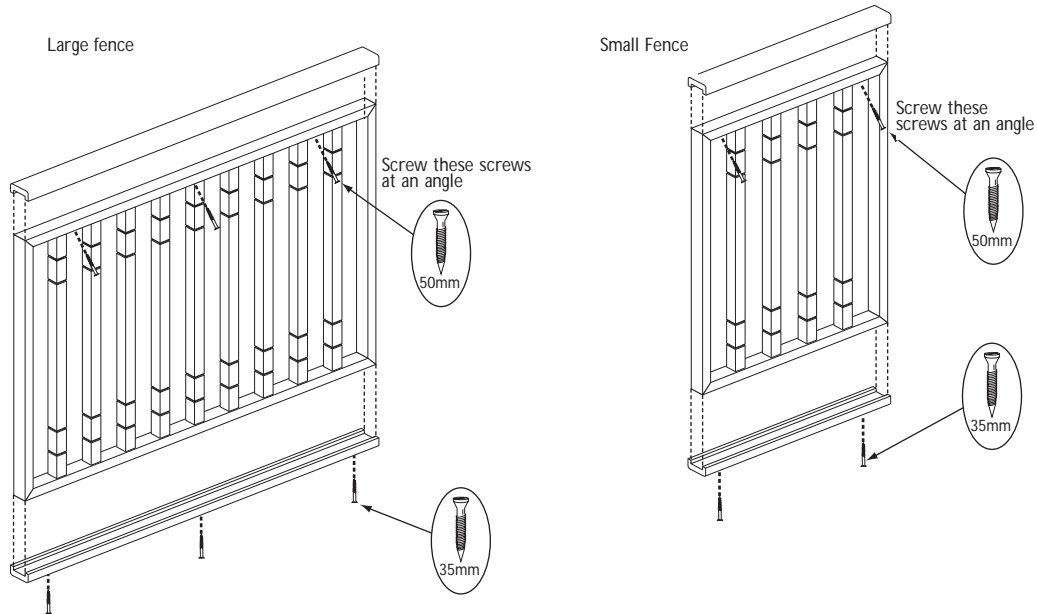


*Decking kit sold separately



1. Hand/Base rails to balustrade fence

Fit the bottom of each large balustrade fence into a base rail and secure in place through the rail into the fence using 3 x 35mm screws per rail as shown. Fit the top of each balustrade fence into a hand rail and secure in place using 3 x 50mm screws. Screw at an angle through the fence frame into the rail using 3 x 50mm screws, as shown. Repeat for the small fences and rails using only 2 screws per rail.

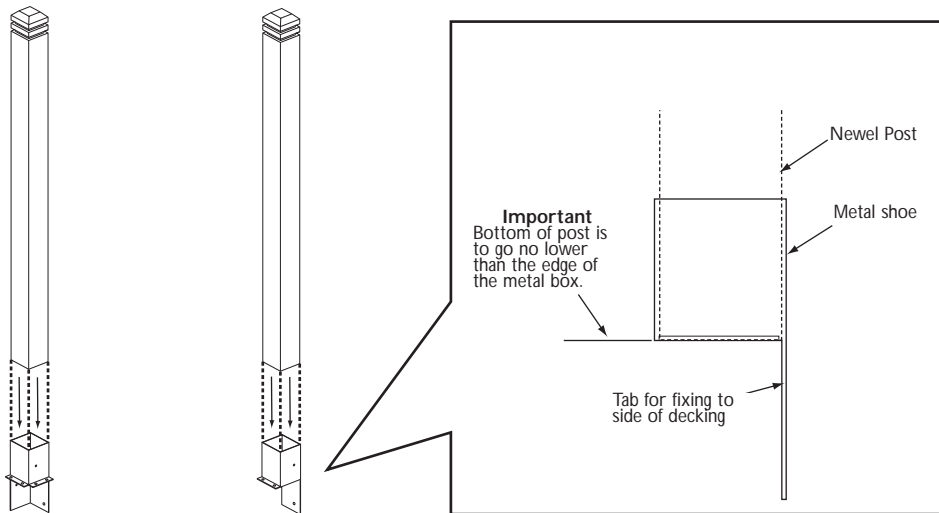


2. Metal shoes

Insert each newel post into a metal shoe as shown. It is important that the bottom of the post goes flush to the bottom of the metal box and does not extend any further down the tab.

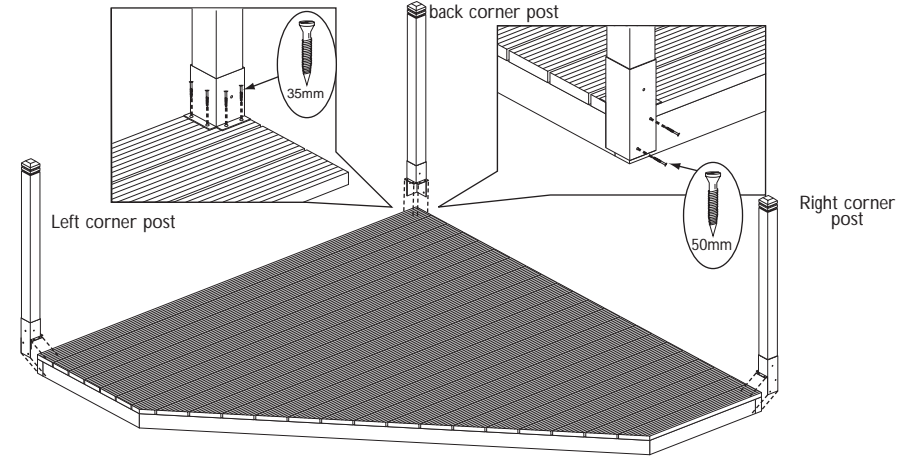


It is important when handling the metal shoes to wear protective gloves as there may be sharp edges.



3. Corner post to decking

Position a corner post on each of the 3 right angled corners. Secure Loosely in place using 2 x 50mm screws through the side of the metal shoe into the side of the deck and 4 x 35mm screw through the top of the metal shoe into the decking strips.



4. Fences to post

Along the long side of the decking position a large fence just above the metal shoe and secure to the post using 2 x 50mm screws. Position a post with a metal straight shoe up against the fence, secure this post to the deck in the same way as the corner post and fix the fence to the post using 2 x 50mm screws. Fit a second large fence between the centre post and the corner back post in the same way. Along the other long side of the decking secure the other 2 large fences and a centre post with straight shoe in the same way.

