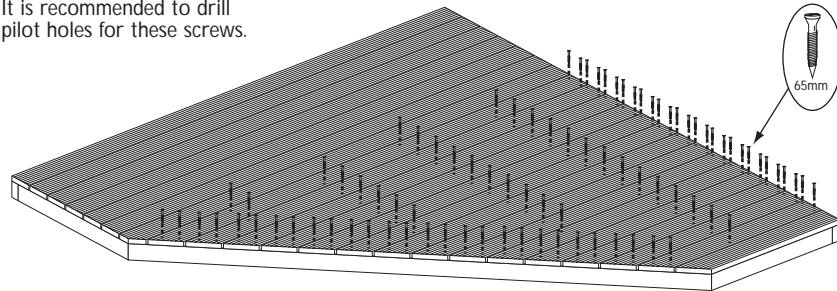


## 6. Angled decking strips

Position the remaining angled decking strips as shown, evenly space approximately 5mm apart and secure down using 65mm screws. Use the diagrams below showing how many screws to use per strip.



It is recommended to drill pilot holes for these screws.

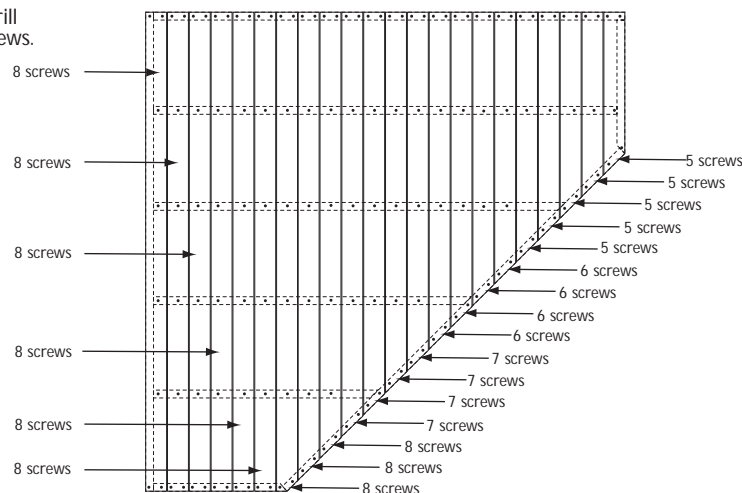


## 7. Screw positions

The diagram below shows how many and the position of the 65mm screws for securing down the decking strips. Each strip will have 2 x 65mm screws in each end and 1 screw where it crosses an inner frame.



It is recommended to drill pilot holes for these screws.



## Important information

Timber Information.

As timber is a natural material, there are certain weather conditions that may affect the materials properties. In times of excessive dry spells the material may lose some of its internal moisture causing a certain degree of shrinkage and in periods of excessive rain there will be a certain amount of swelling throughout the timber. This process can not be avoided. If you have problems with certain boards shrinking during hot spells spray water directly onto the timber with the aid of a garden hose.

If in doubt of any aspect regarding the assembly, use or safety of your decking please contact us :

**Help Line (Normal Office Hours): 01829 261121**

ROWLINSON GARDEN PRODUCTS LIMITED  
Unit 2 Green Lane  
Wardle Nr. Nantwich  
Cheshire  
CW5 6BN  
Tel: 01829 262080  
Fax: 01829 262089

We constantly improve the quality of our products, occasionally the components may differ from the components shown and are only correct at time of printing. We reserve the right to change the specification of our products without prior notice.

2006 © Rowlinson Garden Products Ltd

# Decking kit

# English SS147B

## Assembly Instructions

### Before assembly

- We recommend that time is taken to read the instructions before starting assembly, then follow the easy step by step guide. The instruction sheet is only a guide to the assembly. Certain items may not be shown to scale.
- Check all components prior to assembly
- This product should be assembled by no less than 2 people
- Drill components where indicated.

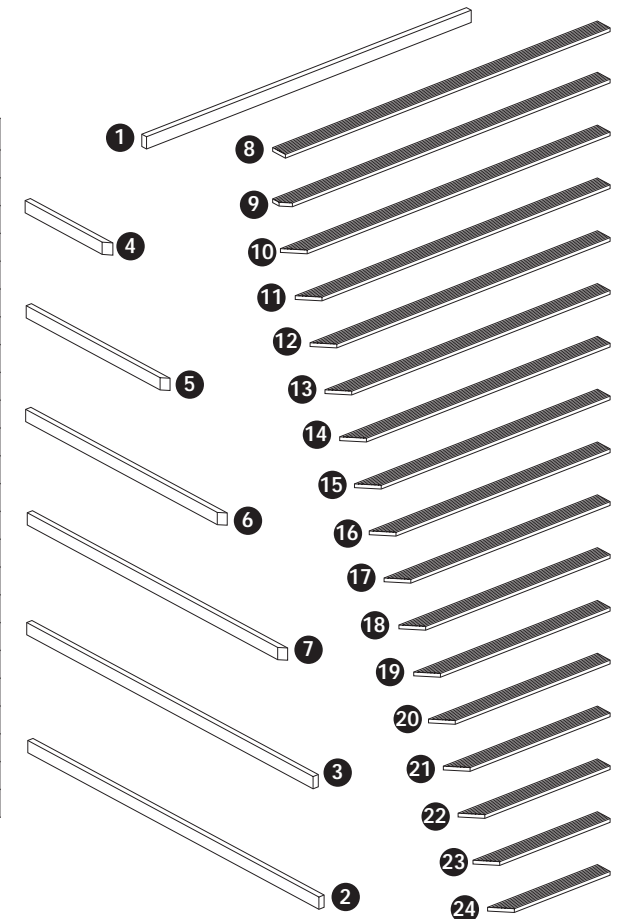
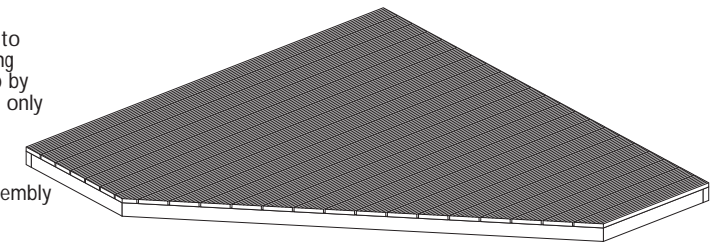


### Recommended tools for assembly

- Cross head screw driver
- Tape measure
- Drill with 4mm drill bit

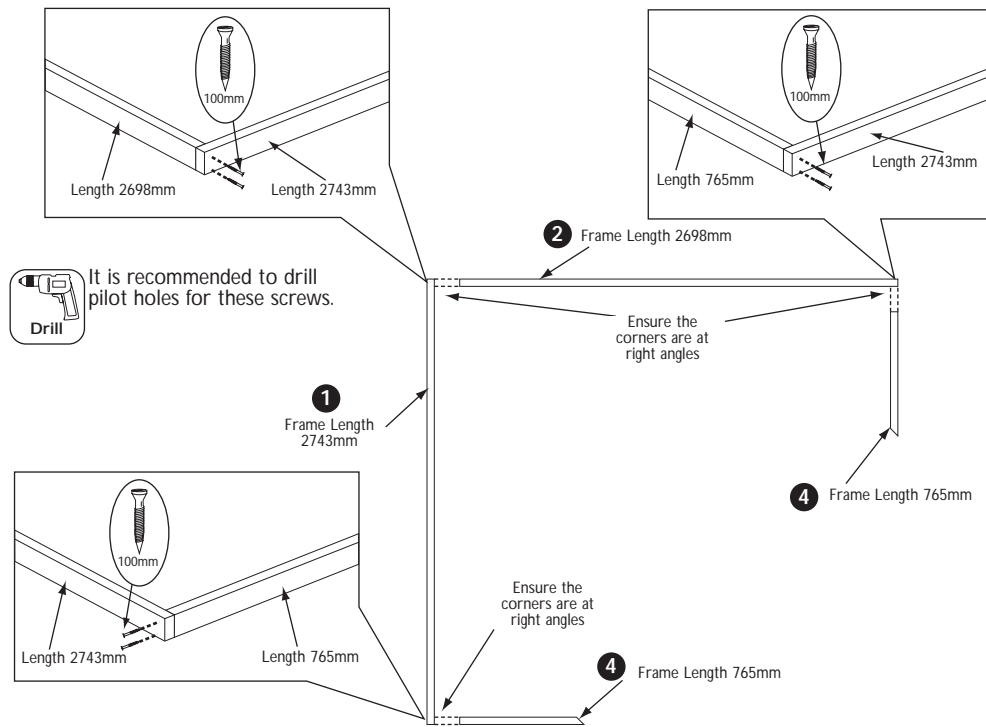
No.	Components	Qty.
1	Outer frame (2743mm)	2
2	Outer frame (2698mm)	1
3	Frame (2655mm)	1
4	Angled outer frame (765mm)	2
5	Angled frame (1285mm)	1
6	Angled frame (1820mm)	1
7	Angled Frame (2365mm)	1
8	Deck strip (2743mm)	6
9	Angled corner deck strip (2743mm)	1
10	Angled deck strip (2678mm)	1
11	Angled deck strip (2553mm)	1
12	Angled deck strip (2428mm)	1
13	Angled deck strip (2303mm)	1
14	Angled deck strip (2178mm)	1
15	Angled deck strip (2053mm)	1
16	Angled deck strip (1928mm)	1
17	Angled deck strip (1803mm)	1
18	Angled deck strip (1678mm)	1
19	Angled deck strip (1553mm)	1
20	Angled deck strip (1428mm)	1
21	Angled deck strip (1303mm)	1
22	Angled deck strip (1178mm)	1
23	Angled deck strip (1053mm)	1
24	Angled deck strip (928mm)	1

No.	Fixing Kit	Qty.
25	100mm screws	26
26	65mm screws	150



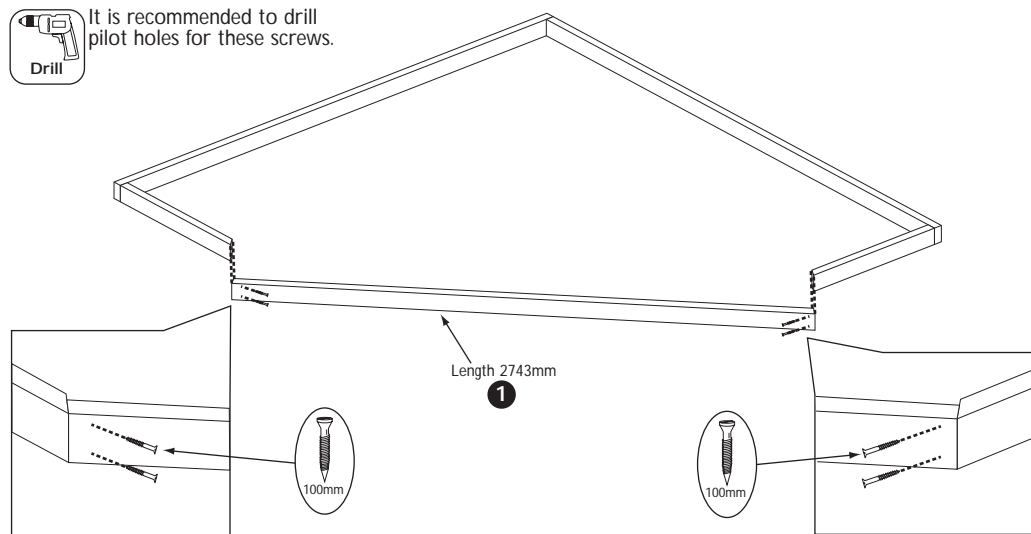
## 1. Outer frame

Assemble the outer frame of the decking as shown below, using 2 x 100mm screws per corner. To ensure the frame is the correct size it is important that the frame orientation is exactly as shown and that each corner is at a right angle.



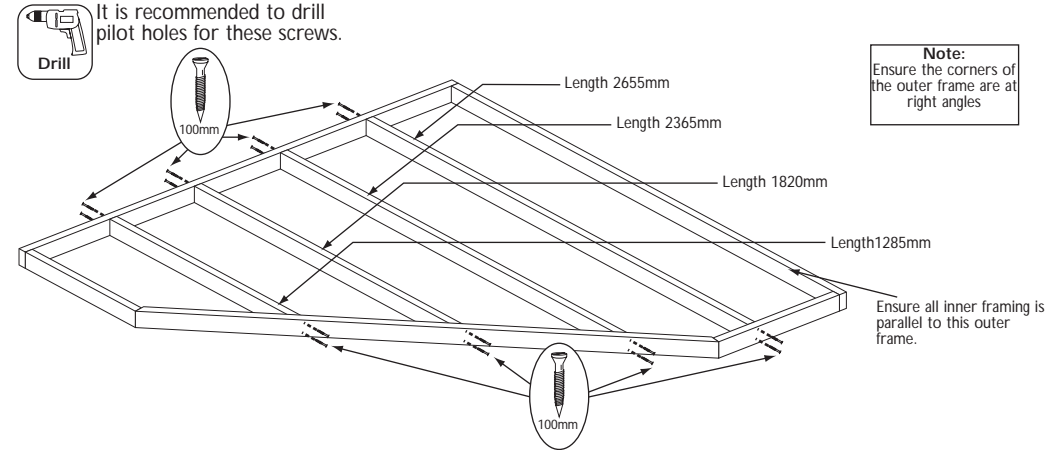
## 2. Complete the outer frame

Complete the outer frame by attaching the outer frame (2743mm) Screw through the frame into the ends of the 765mm frames, as shown below using 2 x 100mm per join.



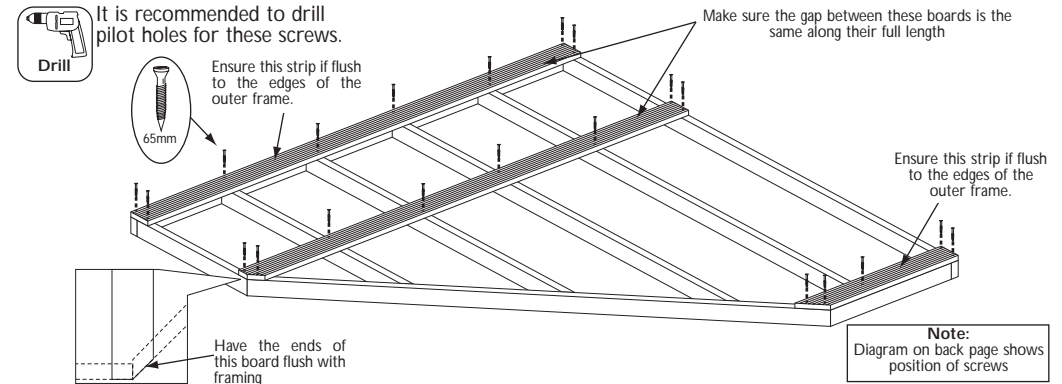
## 3. Inner framing

Make sure that the outer frame is square and position each of the internal framing lengths as shown. Ensure that each inner frame is parallel with the outer frame and secure through the outer frame into the ends of the inner framing, using 2 x 100mm screws for each inner frame end.



## 4. First decking strips

Position the 3 decking strips as shown. Ensure the full decking strip is flush to the edge of the framing and secure down using 8 x 65mm screws. With the shortest angled decking strip flush to the edge of the framing, secure in place using 5 x 65mm screws. The angled corner deck strips sits flush on the corner of the decking frame, Ensuring that it is parallel to the other 2 boards secure down with 8 x 65mm screws.



## 5. Full length decking strips

Place the remaining 5 full length decking strips as shown, space evenly approximately 5mm apart and secure each strip down using 8 x 65mm screws.

