

4. Fences continued

Fit a second large fence for each side between the centre post and the corner back post using 4 x 50mm screws. per fence.



Important information

Timber Information.

As timber is a natural material, there are certain weather conditions that may affect the materials properties. In times of excessive dry spells the material may lose some of its internal moisture causing a certain degree of shrinkage and in periods of excessive rain there will be a certain amount of swelling throughout the timber. This process can not be avoided. If you have problems with certain boards shrinking during hot spells spray water directly onto the timber with the aid of a garden hose.

If in doubt of any aspect regarding the assembly, use or safety of your decking please contact us :

Help Line (Normal Office Hours): 01829 261121

ROWLINSON GARDEN PRODUCTS LIMITED
Unit 2 Green Lane
Wardle Nr. Nantwich
Cheshire
CW5 6BN
Tel: 01829 262080
Fax: 01829 262089

We constantly improve the quality of our products, occasionally the components may differ from the components shown and are only correct at time of printing. We reserve the right to change the specification of our products without prior notice.

2006 © Rowlinson Garden Products Ltd

Decking Pergola Balustrade kit

English SS150A

Assembly Instructions



Caution

The Metal components of this kit may have sharp edges. Wear protective work gloves while handling these components.

Before assembly

- We recommend that time is taken to read the instructions before starting assembly, then follow the easy step by step guide. The instruction sheet is only a guide to the assembly. Certain items may not be shown to scale.
- Check all components prior to assembly
- Some of the components may have sharp edges wear protective work gloves while handling components.
- This product should be assembled by no less than 2 people

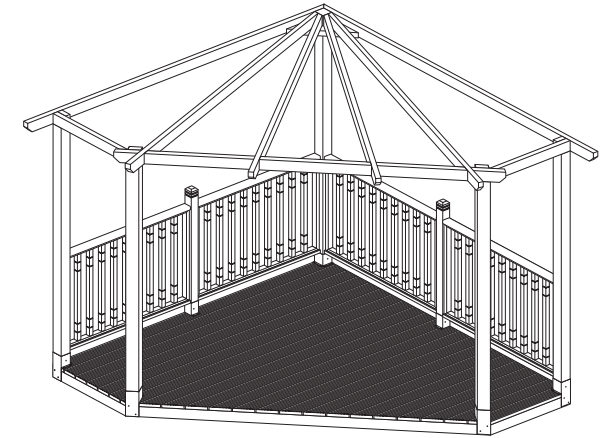


Recommended tools for assembly

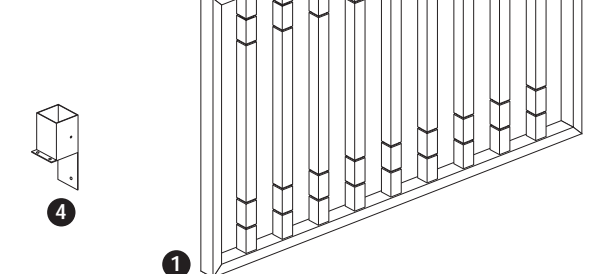
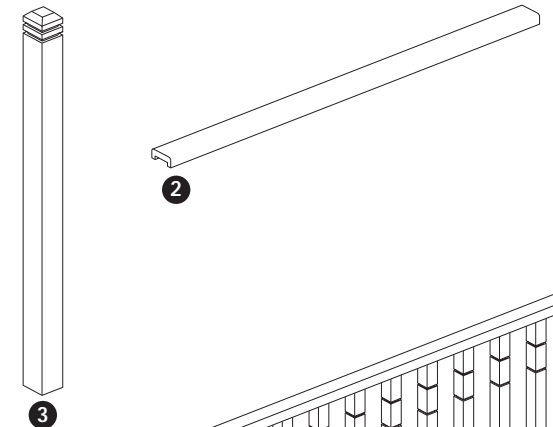
- Cross head screw driver
- Mallet
- Gloves

No.	Components	Qty.
1	Large balustrade fence	4
2	Hand/base rail	8
3	Newel post	2
4	Metal shoe	2

No.	Fixing Kit	Qty.
5	35mm screws	20
6	50mm screws	28

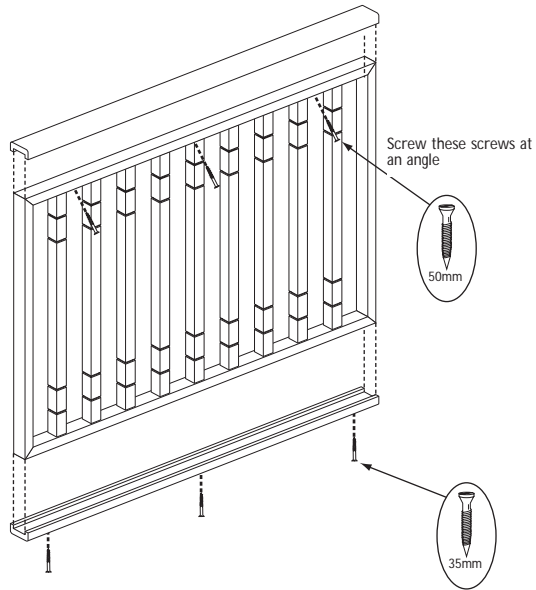


*Decking kit and pergola kit sold separately



1. Hand/Base rails to balustrade fence

Fit the bottom of each balustrade fence into a base rail and secure in place through the rail into the fence using 3 x 35mm screws per rail as shown. Fit the top of each balustrade fence into a hand rail and secure in place using 3 x 50mm screws. Screw at an angle through the fence frame into the rail using 3 x 50mm screws, as shown.

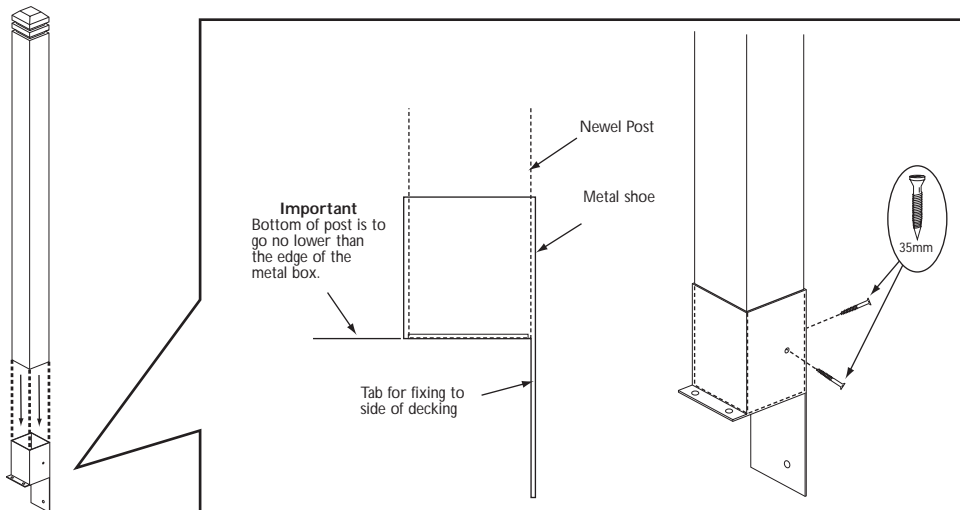


2. Metal shoes

Insert each newel post into a metal shoe as shown. It is important that the bottom of the post goes flush to the bottom of the metal box and does not extend any further down the tab. Secure the posts in the shoes using 2 x 35mm screws per post.



It is important when handling the metal shoes to wear protective gloves as there may be sharp edges.



3. Fences

Along the long side of the decking position a fence just above the metal shoes and secure to the pergola post using 2 x 50mm screws. Position a newel post up against the other end of the fence, secure this post to the deck using 2 x 50mm screws through the side of the metal shoe into the side of the deck and 2 x 35mm screws through the top of the metal shoe into the decking strips. Fix the fence to the post using 2 x 50mm screws. Fit another fence and post in the same way to the other long edge of the decking.

