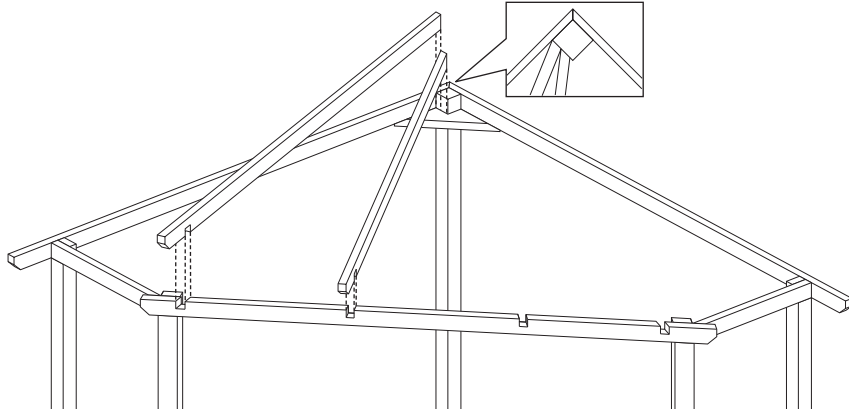
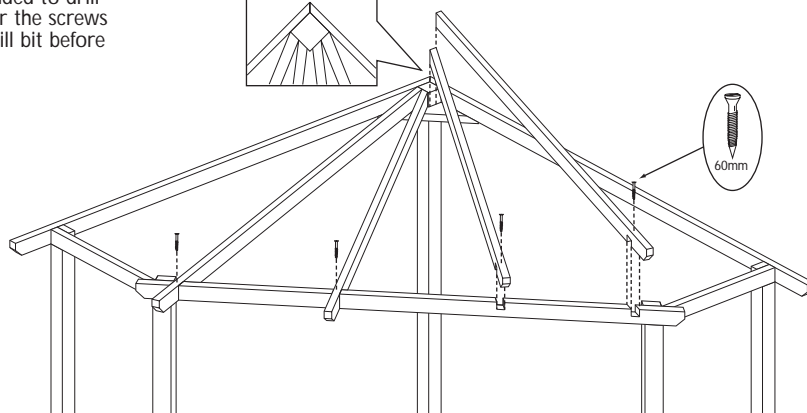
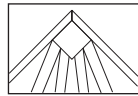


## 5. Rafters

Position the rafters as shown, the angled faces should fit flat against the back post and at the other end fit the rebates in the rafters into the rebates of the front outer frame as shown. Once all rafters are in position secure in place using 1 x 60mm screw through the top of each rafter into the top of the front outer frame.



It is recommended to drill all the holes for the screws with a 4mm drill bit before assembly.



## Important information

### Timber Information.

As timber is a natural material, there are certain weather conditions that may affect the materials properties. In times of excessive dry spells the material may lose some of its internal moisture causing a certain degree of shrinkage and in periods of excessive rain there will be a certain amount of swelling throughout the timber. This process can not be avoided. If you have problems with certain boards shrinking during hot spells spray water directly onto the timber with the aid of a garden hose.

If in doubt of any aspect regarding the assembly, use or safety of your building please contact us :

**Help Line (Normal Office Hours): 01829 261121**

ROWLINSON GARDEN PRODUCTS LIMITED  
Unit 2 Green Lane  
Wardle Nr. Nantwich  
Cheshire  
CW5 6BN  
Tel: 01829 262080  
Fax: 01829 262089

We constantly improve the quality of our products, occasionally the components may differ from the components shown and are only correct at time of printing. We reserve the right to change the specification of our products without prior notice.

2006 © Rowlinson Garden Products Ltd

**ROWLINSON™**  
GARDEN PRODUCTS

## Decking Pergola kit

## English SS149A

### Assembly Instructions



### Caution

The Metal components of this kit may have sharp edges. Wear protective work gloves while handling these components.

### Before assembly

- We recommend that time is taken to read the instructions before starting assembly, then follow the easy step by step guide. The instruction sheet is only a guide to the assembly. Certain items may not be shown to scale.
- Check all components prior to assembly
- Some of the components may have sharp edges wear protective work gloves while handling components.
- This product should be assembled by no less than 2 people
- Drill all components where indicated.



x 2



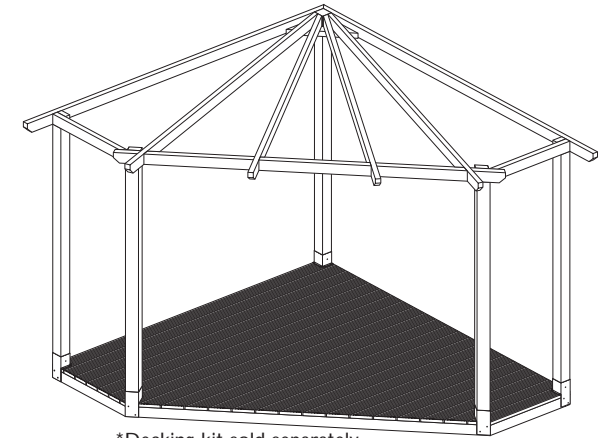
Gloves



Drill

No.	Components	Qty.
1	Post	1
2	Post with rebate	4
3	Left outer frame	1
4	Right outer frame	1
5	Short outer frame	2
6	Front outer frame	1
7	Rafter support	1
8	Left rafter (2870mm)	1
9	Left inner rafter (2610mm)	1
10	Right inner rafter (2610mm)	1
11	Right rafter (2870mm)	1
12	Metal corner shoe	3
13	Metal straight shoe	2

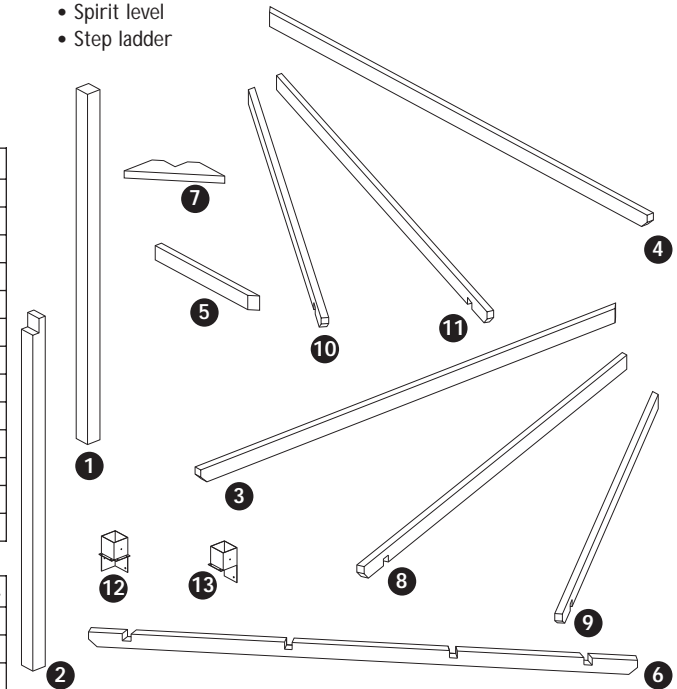
No.	Fixing Kit	Qty.
14	75mm screws	24
15	60mm screws	26
16	35mm screws	16



\*Decking kit sold separately

### Recommended tools for assembly

- Cross head screw driver
- Drill with 4mm diameter drill bit
- Spirit level
- Step ladder

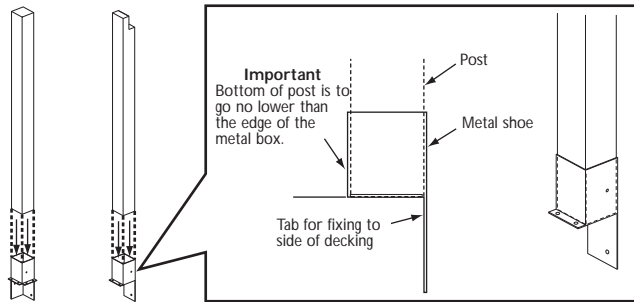


## 1. Feet

Insert the back corner post into a metal corner shoe as shown. Insert the remaining 4 rebated posts into the rest of the metal shoes, use diagram in section 2 for correct orientation of the rebates at the top of the posts. It is important that the bottom of the post goes flush to the bottom of the metal box and does not extend any further down the tab.



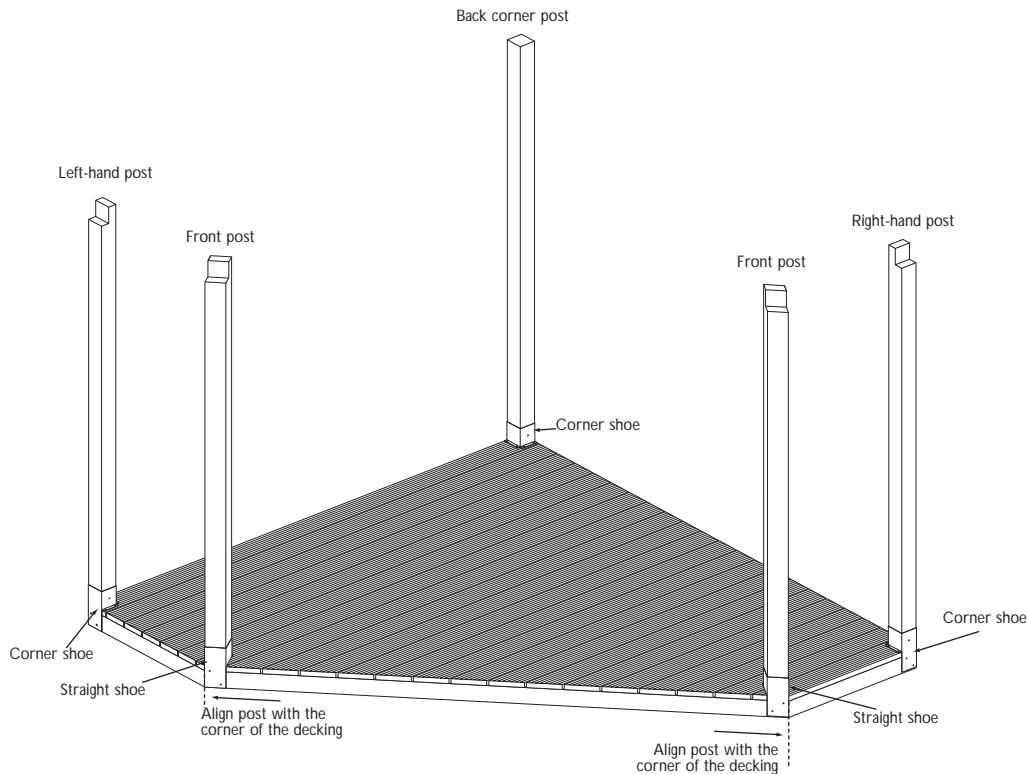
It is important when handling the metal shoes to wear protective gloves as there may be sharp edges.



**Important**  
For the pergola to be assembled correctly it is important that the shoes be put on the correct way to allow the rebates at the top of the posts to point in the right direction. See diagram in section 2 for correct orientation.

## 2. Securing the post

Onto each right-angled corner of the deck kit position a post with a corner shoe. Ensure the post without the rebate is at the back corner and the rebated posts are correctly orientated. Use a spirit level to check they are vertical and secure using 4 x 35mm screws per post to the top of the deck and 2 x 60mm screws per post to the side of the deck. Position the 2 remaining post against the front edge of the decking align the edges to the 45° angled corners, ensure vertical and secure using 2 x 35mm screws per post to the top of the decking and 2 x 60mm screws per post to the side of the decking.

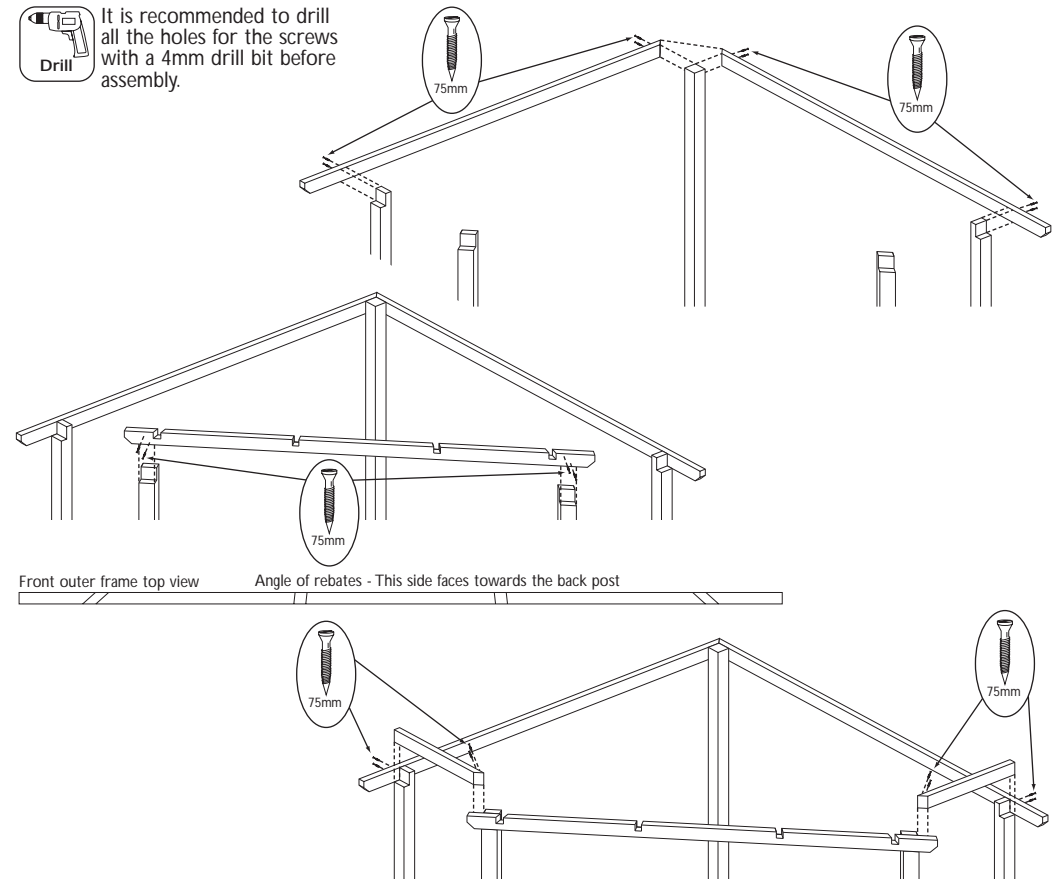


## 3. Outer framing

Secure the left outer frame to the side of the back corner post and the side of the left-hand post using 2 x 75mm screws per post. Attach the right outer framing in the same way to the back post and the right-hand post. Sit the front outer frame into the rebates of the 2 front posts making sure the angled rebates are angled towards the back post, Ensure the posts are vertical and secure the front outer frame centrally to the posts using 2 x 75mm screws per post. Fit a short outer frame into each of the rebates on the left and the right posts, ensure the angled end is touching the front outer frame and secure in place using 4 x 75mm screws per short outer frame as shown.



It is recommended to drill all the holes for the screws with a 4mm drill bit before assembly.



## 4. Rafter support

Position the rafter support so that the rebate fits around the back post and is underneath the left and right outer frames. Secure it in place using 4 x 75mm screws. Screw up through the rafter support into the outer frame.



It is recommended to drill all the holes for the screws with a 4mm drill bit before assembly.

