

### IMPORTANT SAFETY INFORMATION

Adult assembly is required. Checks and maintenance needs to be carried out on the main parts (fixings etc.) at regular intervals. If these checks are not carried out the product could become unsafe.

### WARNING

Not suitable for children under 36 months due to small parts and sharp points.

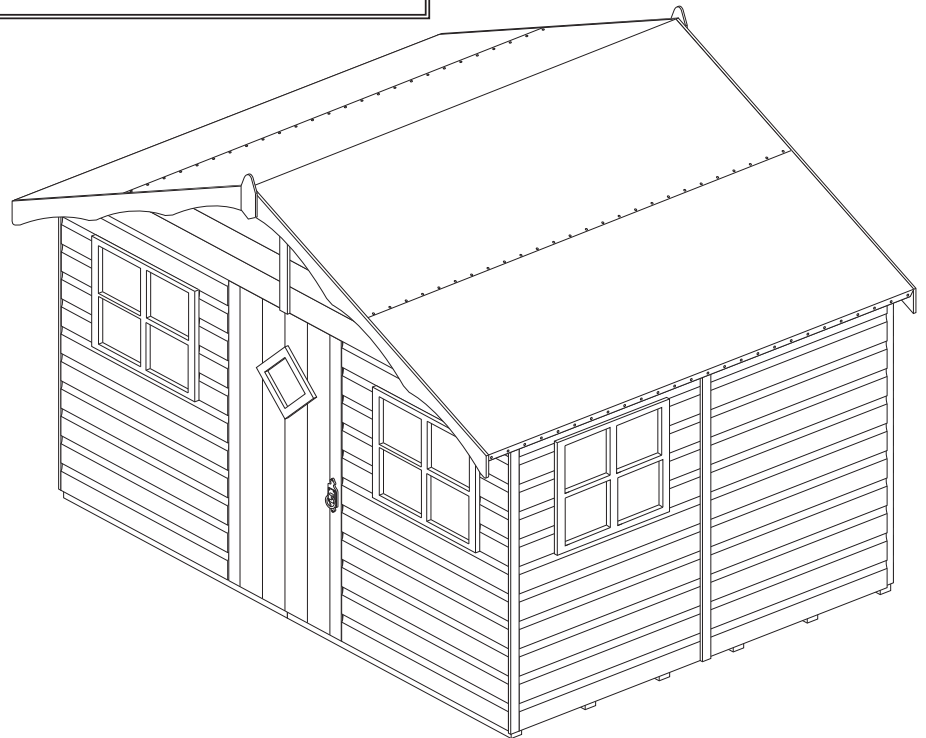
### Before assembly

- We recommend that time is taken to read the instructions before starting assembly, then follow the easy step by step guide. The instruction sheet is only a guide to the assembly. Certain items may not be shown to scale.
- Check all components prior to assembly
- This product should be assembled by no less than two people.
- Never attempt to erect the assembly in high winds.
- Drill components where indicated.



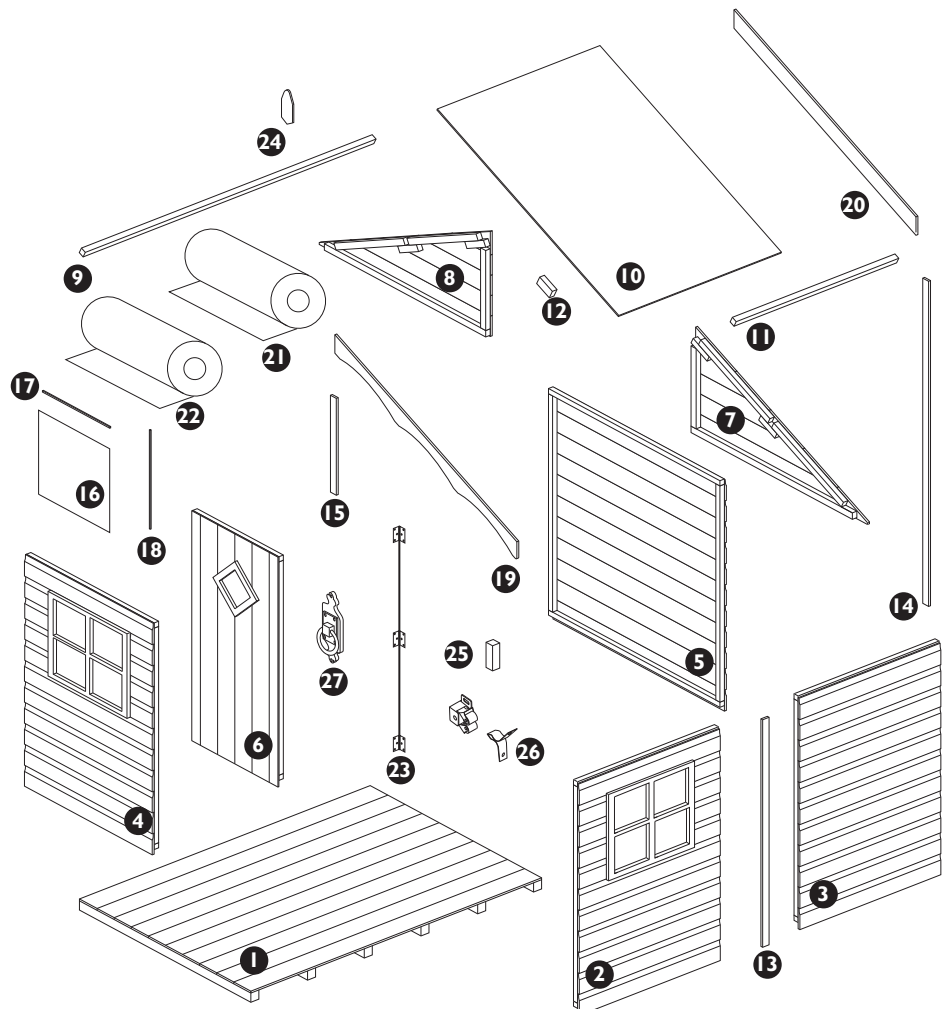
### Recommended tools for assembly

- Cross head screw driver
- Hammer
- Sharp knife
- Drill with 3mm diameter drill bit
- Spirit level
- Tape measure
- Silicon sealant
- Step ladder



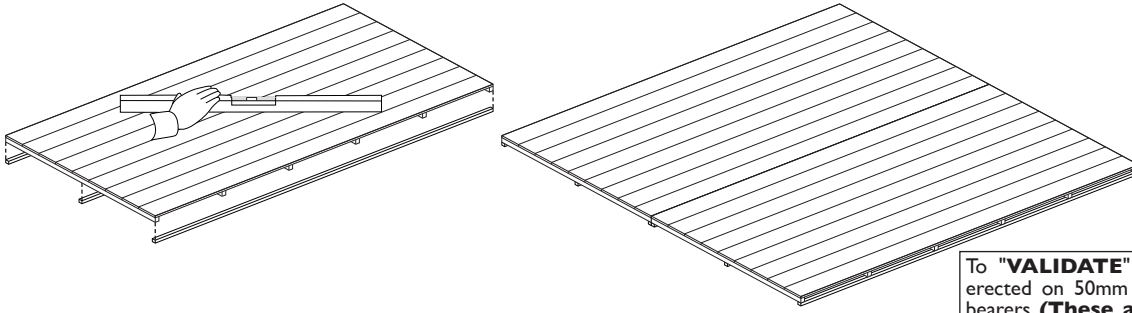
No.	Components	Qty.
1	Floor panel	2
2	Window side panel (width = 880mm)	2
3	Plain side panel (width = 880mm)	2
4	Front window panel (width = 875mm)	2
5	Back panel (width = 1174mm)	2
6	Door	1
7	Left front/right rear apex panel	2
8	Right front/left rear apex panel	2
9	Roof purlin	4
10	Roof panel	4
11	Felt battens	4
12	Batten blocks	12
13	Coverstrips (40x12x1235mm)	6
14	Back panel coverstrips (40x12x1765mm)	1
15	Front apex coverstrips (40x12x525mm)	1
16	Styrene glazing (477x397mm)	4
17	Horizontal window beading (479mm)	8
18	Vertical window beading (382mm)	8
19	Front shaped bargeboards	2
20	Back plain bargeboards	2
21	Roofing felt roll (5m)	1
22	Roofing felt roll (2.5m)	1
23	Door hinge	1

No.	Fixing Kit	Qty.
24	Finial	2
25	Catch mounting block (29x29x100mm)	1
26	Roller catch kit	1
27	Door handle	1
28	50mm screws	55
29	35mm screws	36
30	25mm screws	18
31	19mm black round head screws	4
32	10mm round head screws	4
33	35mm nails	94
34	20mm nails	48
35	10mm felt nails	118



## 1. Laying the floor section

Prepare a level area for the playhouse to sit. Attach three wooden or similar bearers of size 50 x 50 x 1810mm (not supplied in kit) to each floor section.



To **"VALIDATE"** the guarantee, this item should be erected on 50mm x 50mm treated wooden or similar bearers (**These are not supplied with the kit.**) Ground contact must be avoided.

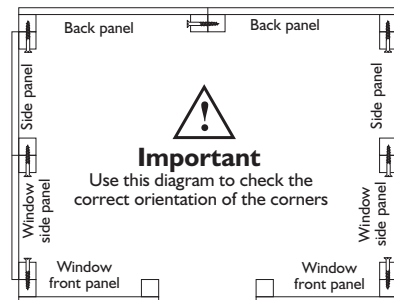
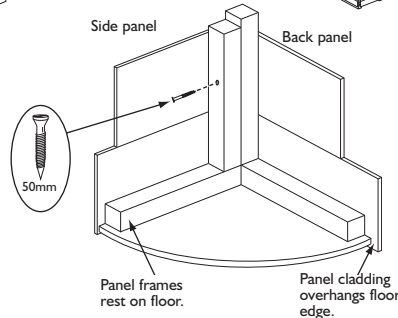
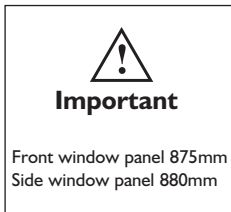
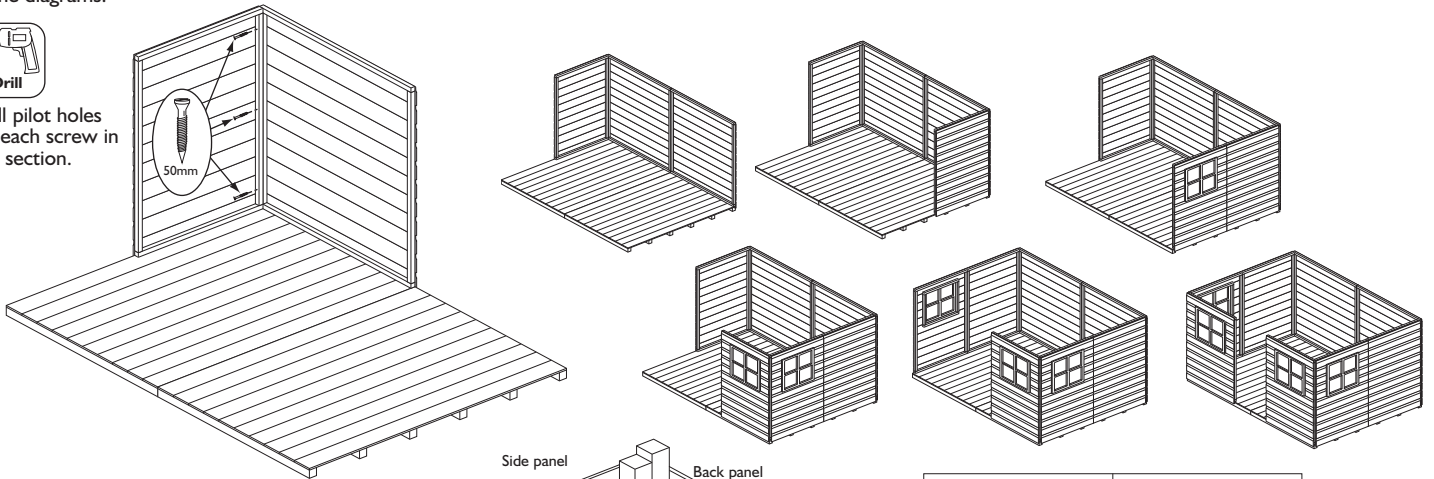
## 2. Fixing the wall panels together

Position a back panel and a plain side panel on the floor as show. Note how the panel frames sit on the floor with the panel cladding overhanging the floor edge. Ensure square and secure using 3 x 50mm screws through the frame of the side panel into the frame of the back panel. Position the other back panel next to the first, ensure level and secure them together using 3 x 50mm screws through the frame of the first back panel into the frame of the second. Continue adding the rest of the panels as shown in the diagrams.



Drill

Drill pilot holes for each screw in this section.



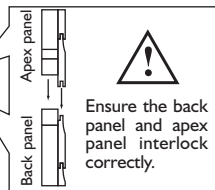
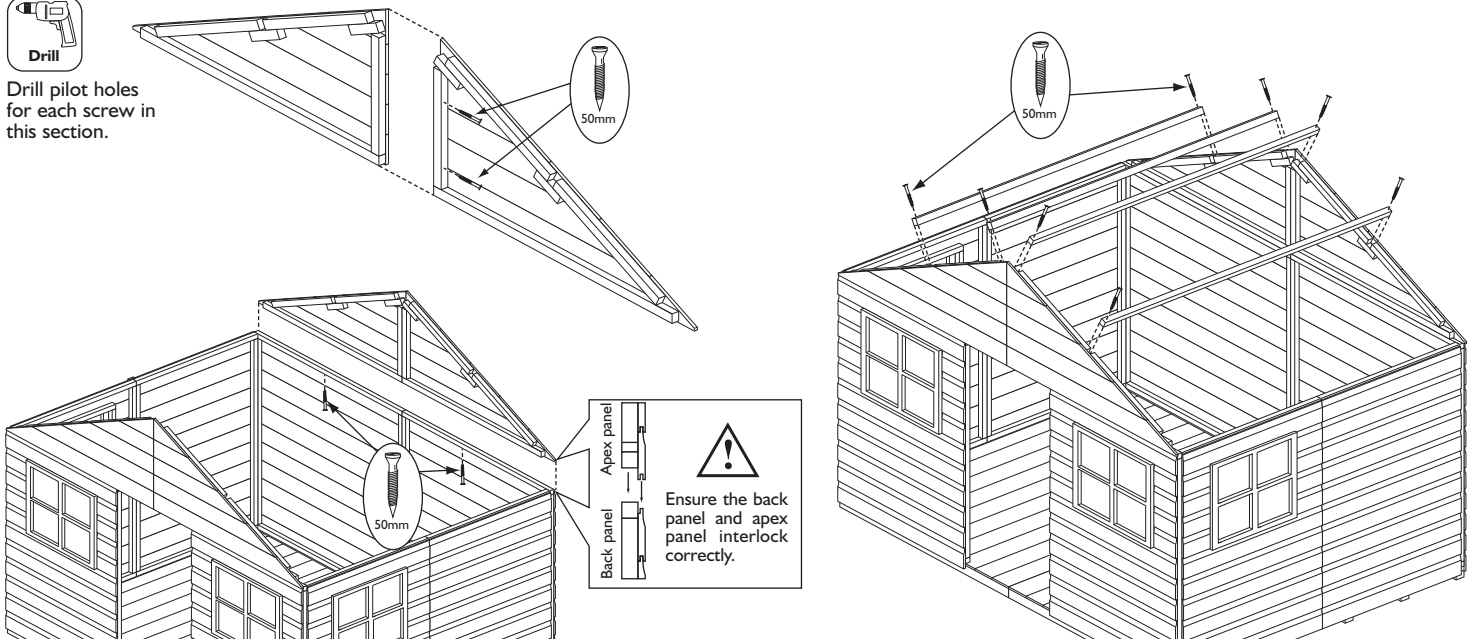
## 3. Apex panels and purlins

Create two apex panels by joining the left-hand apex panels with the right-hand apex panels, use 2 x 50mm screws for each pair of panels. Lift one apex assembly on top of the back panel, make sure the bottom shiplap board of the apex panel fits correctly into the top shiplap board of the back panel. Secure by using 2 x 50mm screws, screw up through the top frame of the back panel into the bottom frame of the apex panel. Attach the second apex assembly to the front of the building in the same way. Insert the four roof purlins into the rebates in the apex sections. Fix in place using 1 x 50mm screw at each end of each purlin. Screw through the purlin and into the frame of the apex panels.



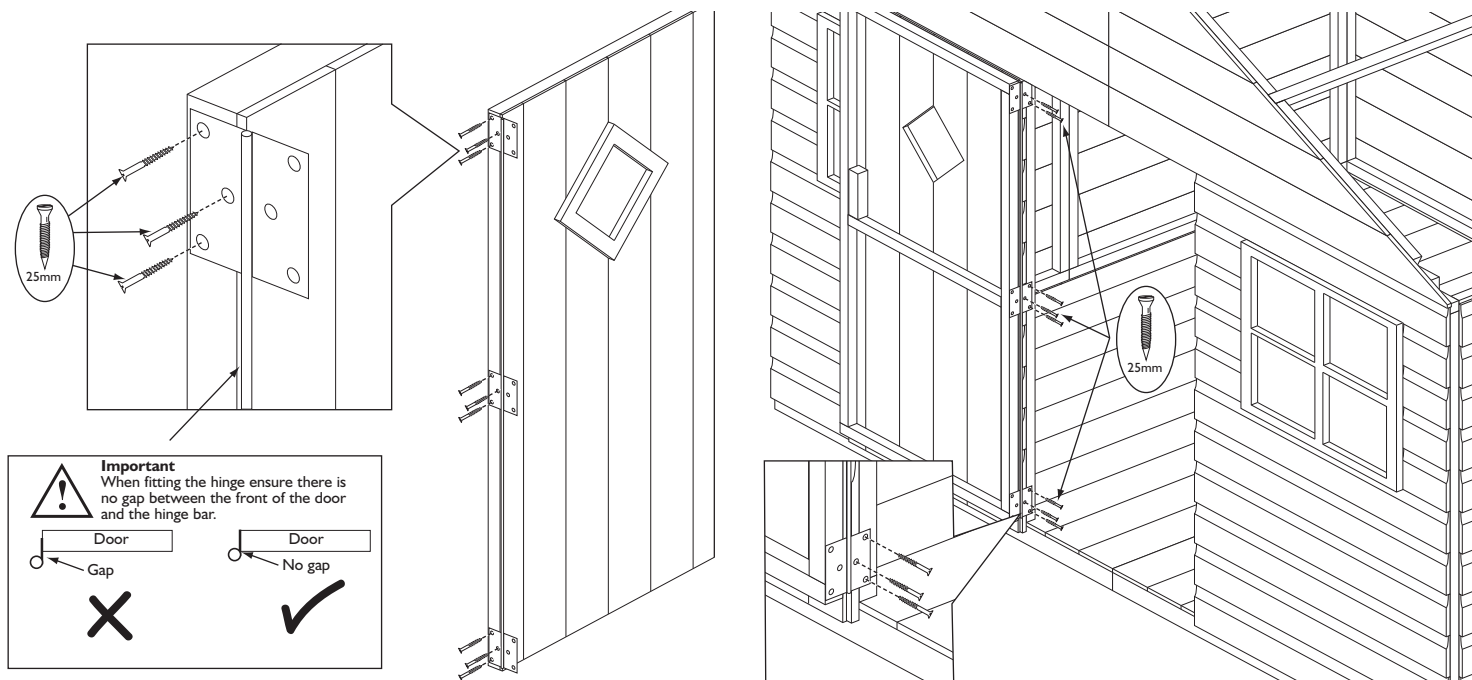
Drill

Drill pilot holes for each screw in this section.



#### 4. Door fitting

Open the hinge flat and position it on the left side of the door as show, secure in place using 9 x 25mm screws. Position the door in the door way, adjust the height of the door so it will be able to open and close freely. When in place secure hinge to the door frame using 9 x 25mm screws.



**Important**  
When fitting the hinge ensure there is no gap between the front of the door and the hinge bar.

Door      Door  
Gap      No gap

**X**      **✓**

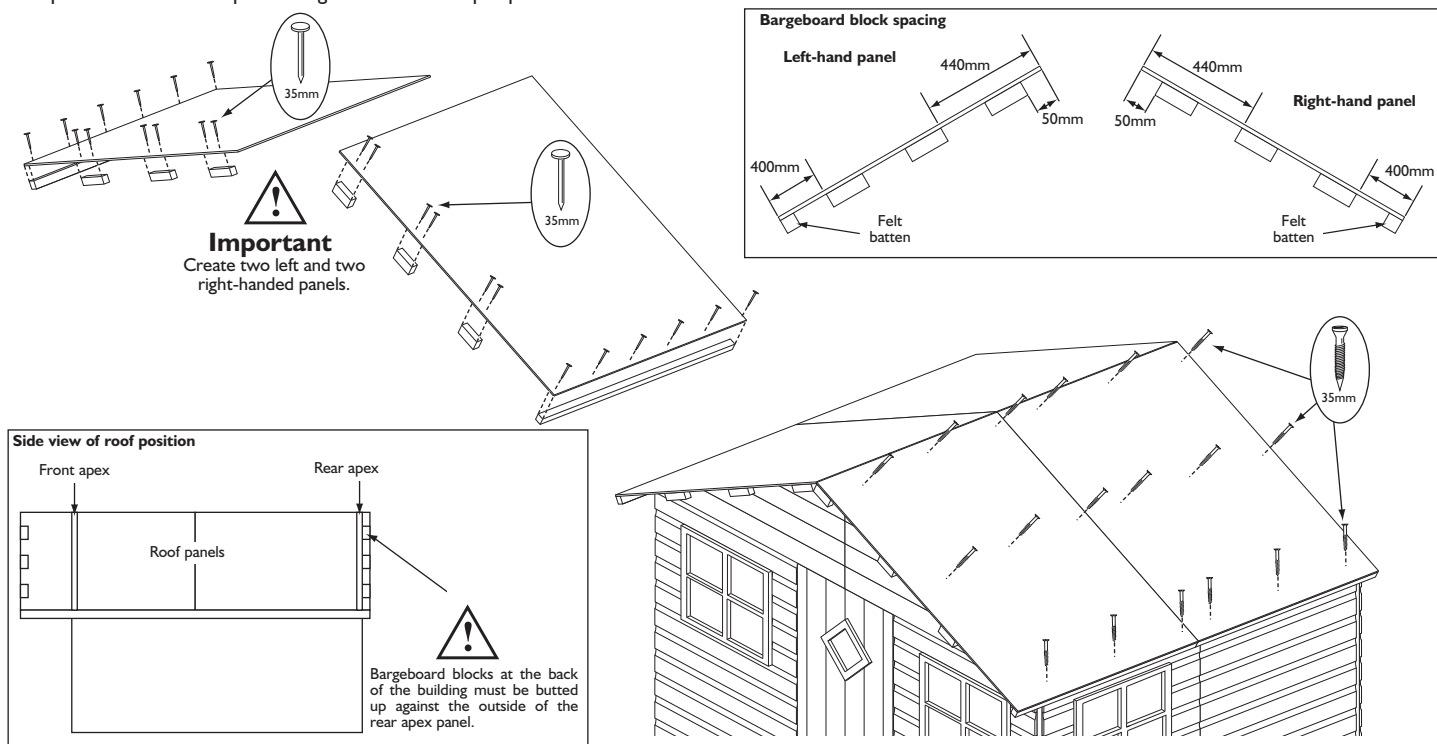
#### 5. Securing the walls to the floor

Ensure the walls are sitting square on the floor and secure them down using 16 x 50mm screws, screw through the panel framing into the floor.



#### 6. Roof

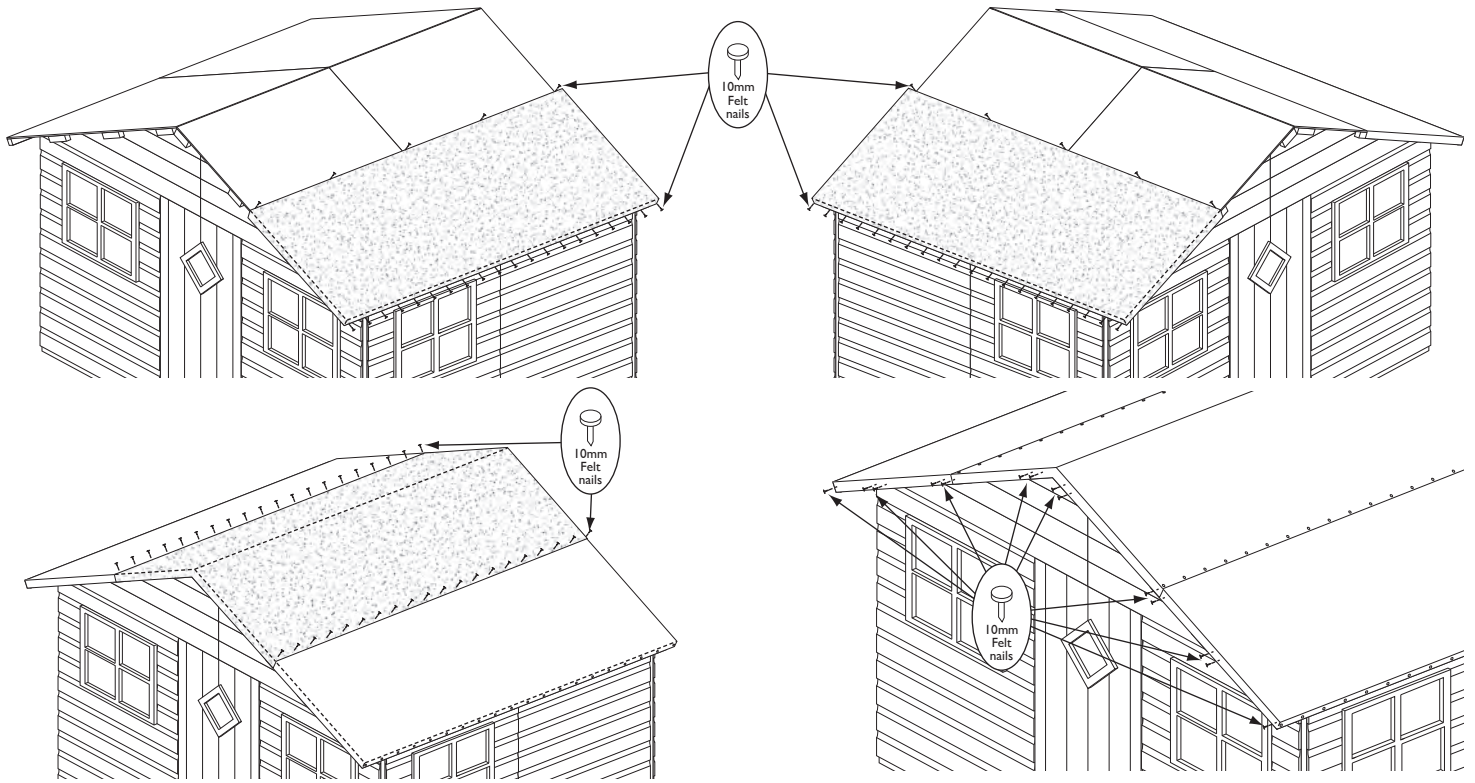
Secure a felt batten to the lower edge of each roof panel using 5 x 35mm nails per batten as shown. Ensure the felt battens are flush to the edges of the panels. Flush to the front edges of each panel attach three bargeboard blocks using 2 x 35mm nails per block, see diagram below for correct spacing of the blocks. Create two left and two right-handed panels. Position two panels on top of the building with the bargeboard blocks overhanging the rear of the building, make sure the top edges of the panels are located at the apex and bargeboard blocks are butted up against the apex panel. Secure each panel in place using 8 x 35mm nails. Position the two remaining roof panels on top of the building with the bargeboard blocks over hanging the front edge of the building. Ensure the front two roof panels are butted up next to the two rear roof panels and secure in place using 8 x 35mm nails per panel.





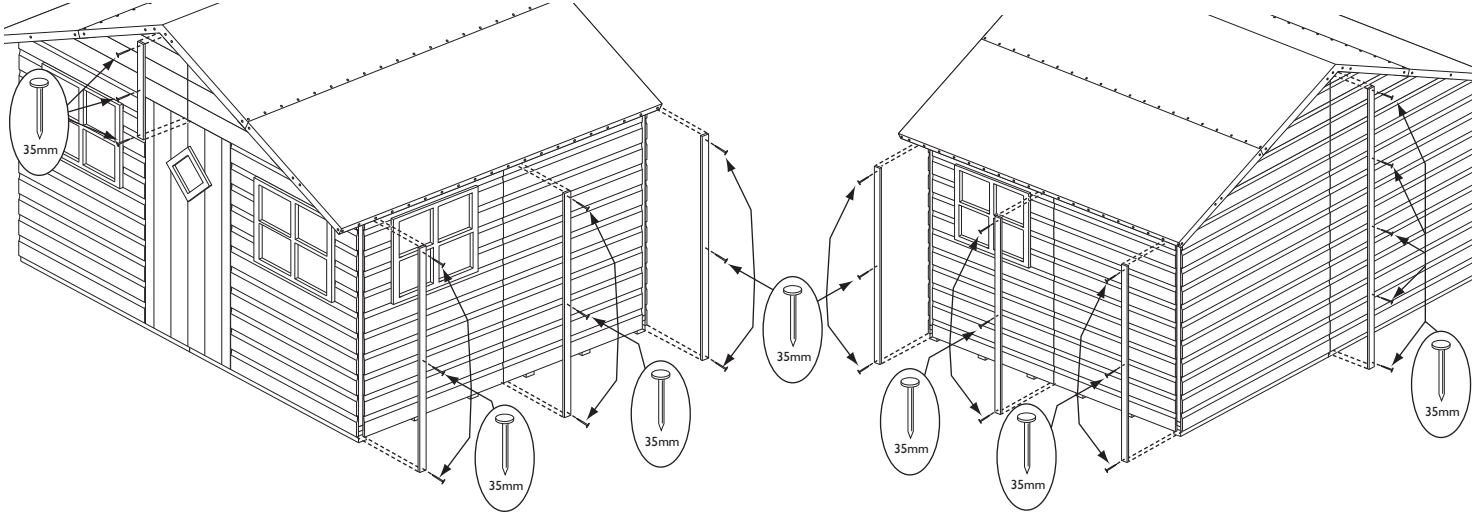
## 7. Roofing felt

Cut the 5m roll of roofing felt into two equal lengths. Place a length over one side of the roof. At the front and along the lower edge of the roof leave an overhang of felt of at least 45mm. Fold down the felt along the lower edge and secure to the felt batten using 20 x 10mm felt nails evenly spaced. Tension the felt over the roof and secure along the upper edge using 5 x 10mm felt nails. Repeat this for the second piece of felt on the other side of the roof. Once the two pieces of felt are in place position the 2.5m roll over the roof ridge making sure it sits centrally and overlaps the other two felt pieces, attach using 20 x 10mm felt nails evenly spaced, along each lower edge of the piece of felt. Dress down the ends of all felt pieces and attach to the batten blocks using 14 x 10mm felt nails at the front and rear of the playhouse. When all the felt is in fixed in position, trim of any excess.



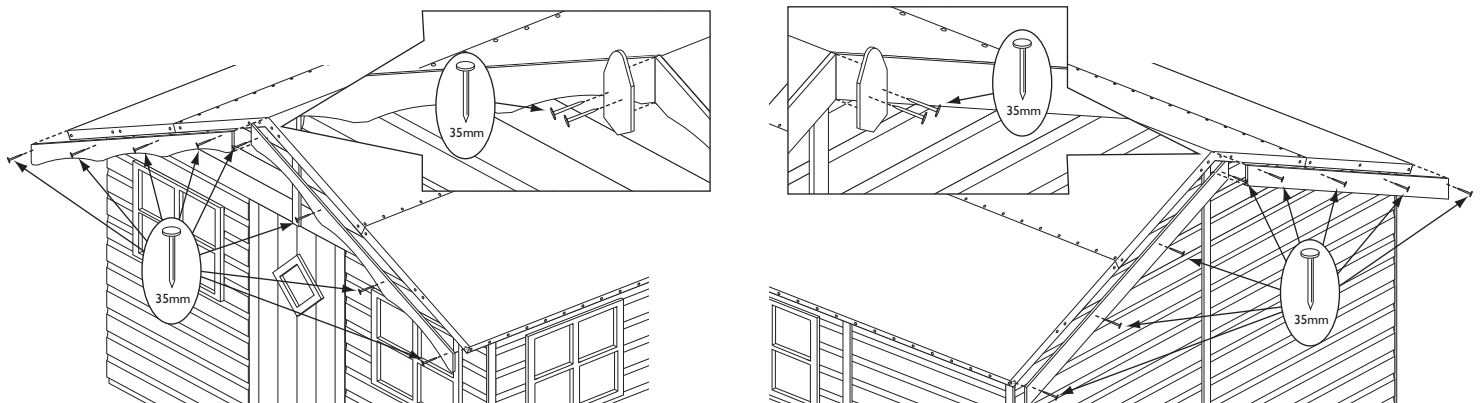
## 8. Coverstrips

Fit a coverstrip into each corner of the playhouse, attach each one using 3 x 35mm nails per strip. The remaining two coverstrips are used to cover the join between the two side panels on each side of the building, attach each one using 3 x 35mm nails per strip. Fit the front apex coverstrip over the join between the two halves of the front apex panel using 3 x 35mm nails per strip. Attach the back panel coverstrip over the join down the middle of the back of the building using 5 x 35mm nails.



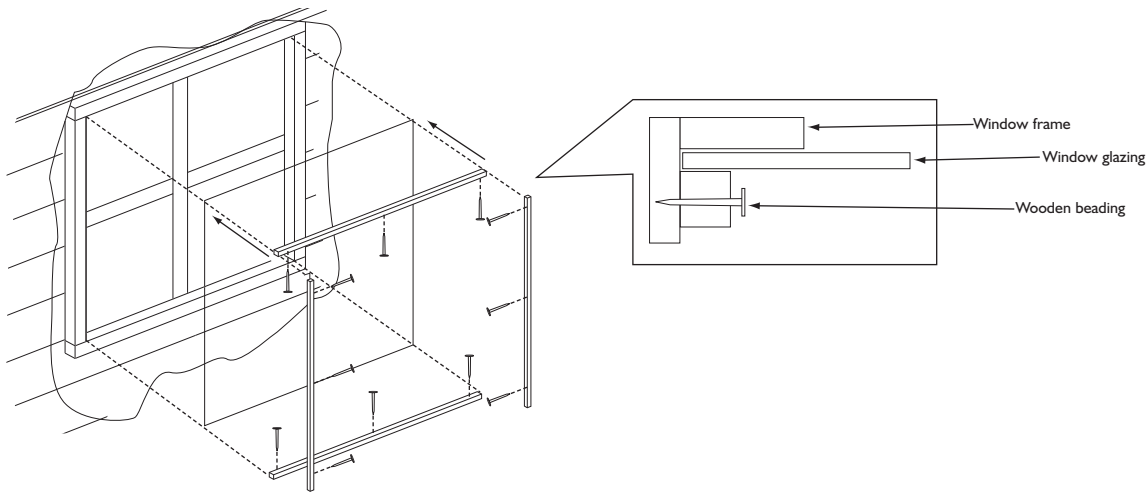
## 9. Bargeboards and finials

Fasten the shaped bargeboards to the front edge of the roof so that the top edge is flush with the roof line and the two boards meet evenly at the apex, secure using 3 x 35 mm nails through each board into the bargeboard blocks and end of the felt batten. Position the finial centrally over the join of the two bargeboards and secure using 2 x 35mm nails. Attach the two plain bargeboards and a finial to the back of the building in the same way.



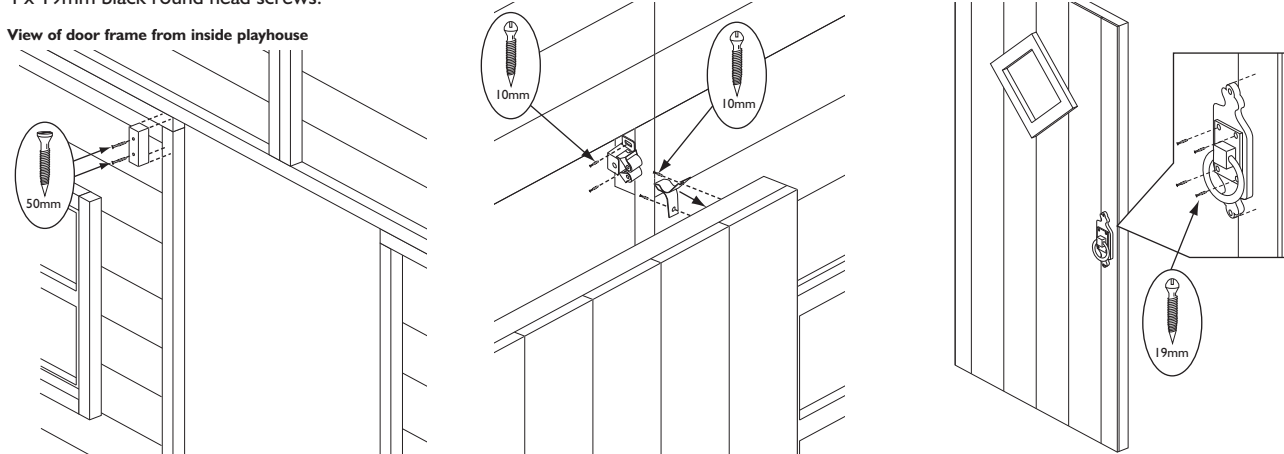
## 10. Window glazing

We recommend that a waterproof sealant is applied around the edge of the glazing before fitting. Place window pane on the inside of the window frame, Using 3 x 20mm nails per beading strip. nail the top and bottom strip first and then the sides. Repeat for all four windows.



## 11. Door catch

On the inside of the playhouse, fit the catch mounting block using 2 x 50mm screws to the frame of the apex panel at the top left corner of the door frame. The roller catch is fitted to the mounting block and the catch plate is fitted to the door. Position them so that when the door is shut the two parts clip together. Once in position fix the two parts of the catch in place with 4 x 10mm screws. To the front of the door position the door handle half way up the right-hand side. Secure in place using 4 x 19mm black round head screws.



## Important safety and maintenance information - Retain for future reference

- This product is not suitable for all children under 36 months, due to it having small parts and sharp points.
- For Family domestic use only.
- For outdoor use.
- Ensure any loose knots are removed from any panels, to reduce risk of choking. Fill holes with a suitable wood filler obtained from most DIY stores.
- It is recommended that the playhouse is positioned on a level surface at least 2m from any structure or obstruction such as a fence, garage, house, overhanging branches, laundry lines, electrical wires.
- It is recommended that the playhouse is not installed on concrete, asphalt or any other hard surface.
- The company takes every care to ensure all goods are clean and free from splinters and rough edges prior to leaving the factory.
- Visually inspect the playhouse and to reduce the risk of splinter sand down any sharp edges or rough surfaces.
- Checks and maintenance of the main parts (fixings, etc) should be made at the beginning of each season and at regular intervals throughout. If checks are not carried out the product could become unsafe.
- Ensure all fastenings are securely located.
- Oil all metallic moving parts.
- Ensure that the pointed ends of all nails, screws and other fastenings are not accessible on any surface of the constructed playhouse, and that all heads and surfaces of these fastenings are either flush with the surface or countersunk.
- Always ensure a safe, suitable treatment is used to ensure the safety of children and animals.
- Assembly and installation instructions must be kept for further reference.

Shiplap buildings come ready stained but this is only a preparatory treatment. To **VALIDATE** the guarantee, the building must be properly treated with a recognised external wood preserver **WITHIN 3 MONTHS** of assembly and **RE-TREATED ANNUALLY** thereafter. The building must also be erected on 50mm x 50mm treated wooden or similar bearers (These are not supplied with the kit.) Ground contact must be avoided.

### Timber Information.

As timber is a natural material, there are certain weather conditions that may affect the materials properties. In times of excessive dry spells the material may lose some of its internal moisture causing a certain degree of shrinkage on a panel and in periods of excessive rain there will be a certain amount of swelling throughout the wooden panels. This process can not be avoided. If you have problems with certain boards shrinking in dry spells try to decrease the amount of direct sunlight on the building or the amount of air passing over the building. During hot spells spray water directly onto the panels with the aid of a garden hose.



This product meets the requirements of BS EN 71 Parts 1 & 2:2011 and 3:1995

If in doubt of any aspect regarding the assembly, use or safety of your playhouse please contact us :

**Help Line (Normal Office Hours) 01829 261121**

ROWLINSON GARDEN PRODUCTS LIMITED  
Green Lane  
Wardle Nr.Nantwich  
Cheshire  
CW5 6BN

We constantly improve the quality of our products, occasionally the components may differ from the components shown and are only correct at time of printing. We reserve the right to change the specification of our products without prior notice.

2012 © Rowlinson Garden Products Ltd