

Before assembly

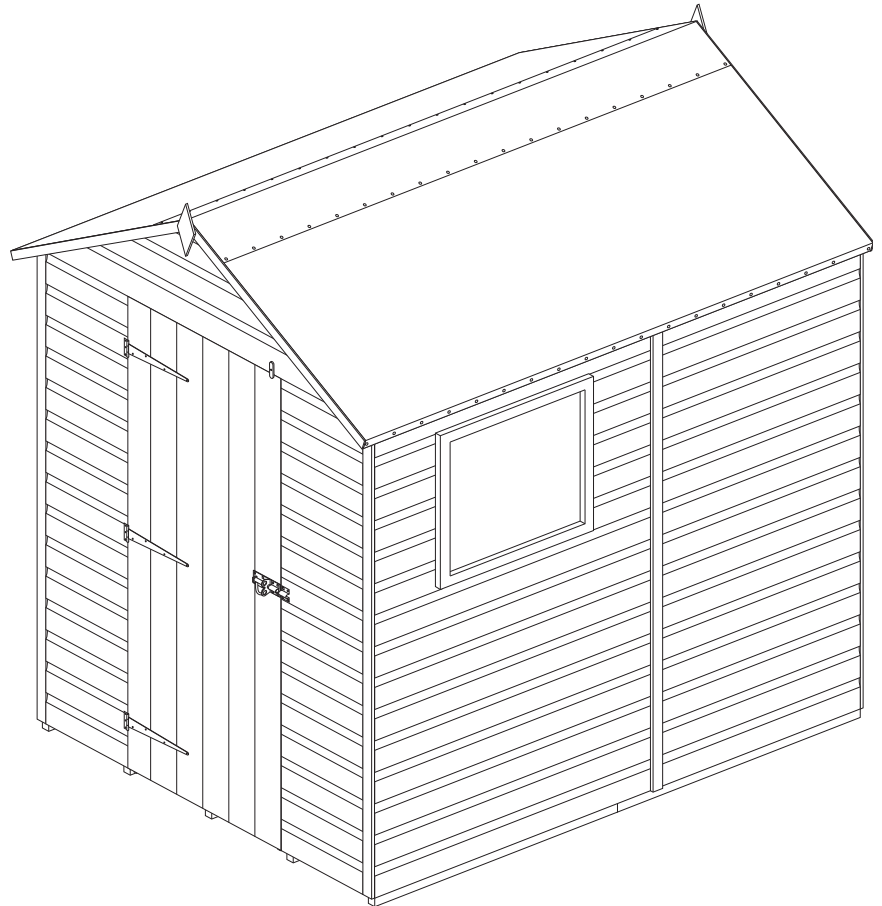
- We recommend that time is taken to read the instructions before starting assembly, then follow the easy step by step guide. The instruction sheet is only a guide to the assembly. Certain items may not be shown to scale.
- Check all components prior to assembly
- This product should be assembled by no less than two people.
- Never attempt to erect the assembly in high winds.
- Drill components where indicated.



Recommended tools for

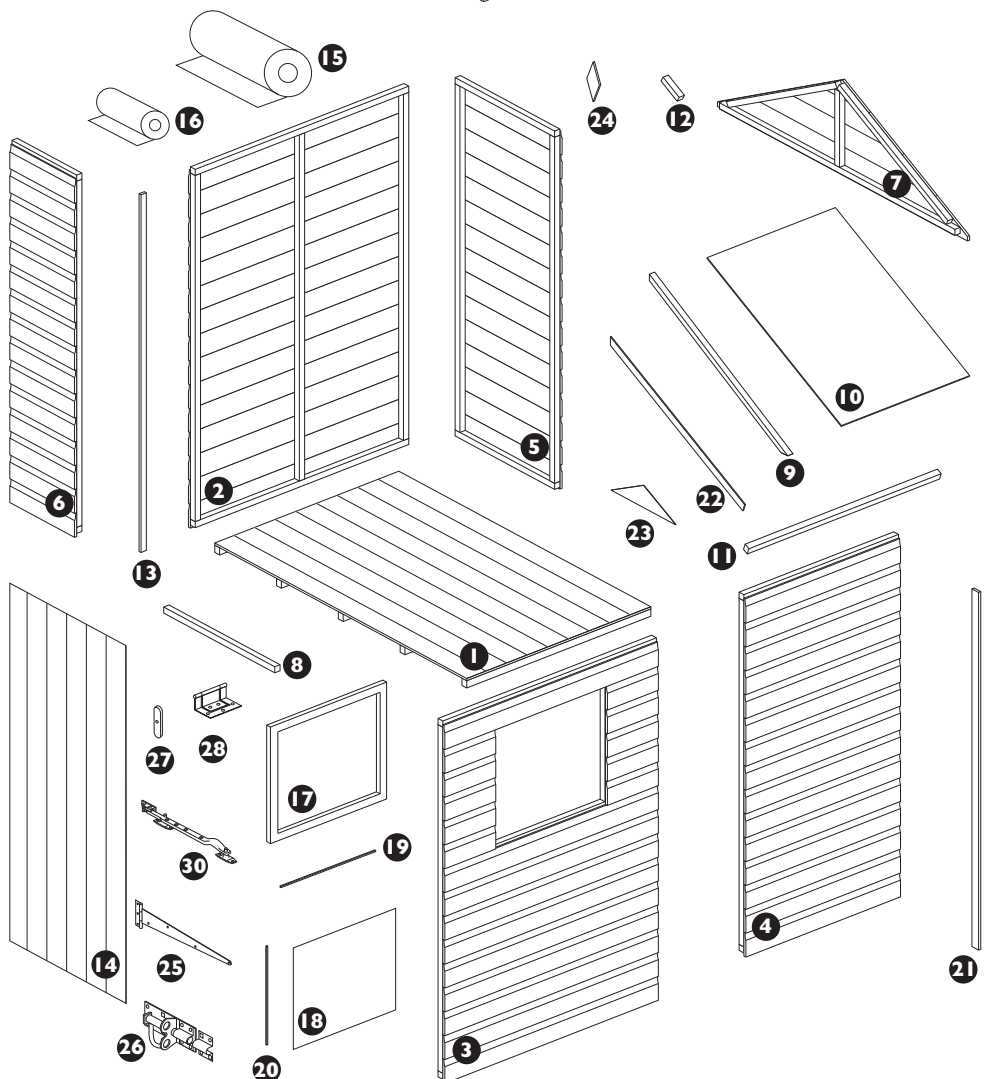
assembly

- Cross head screw driver
- 10mm spanner
- Hammer
- Sharp knife
- Drill
- 4mm diameter drill bit
- 6mm diameter drill bit
- Spirit level
- Silicon sealant
- Step ladder



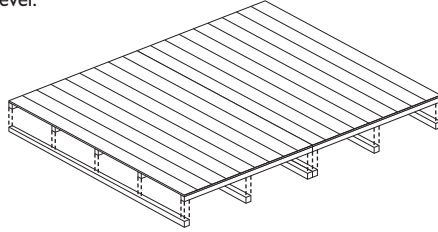
No.	Components	Qty.
1	Floor panel	2
2	Large plain panel (Width 1174mm)	1
3	Window panel (Width 1174mm)	1
4	Medium plain panel (Width 850mm)	3
5	Small plain panel (Width 600mm)	1
6	Front panel (Width 390mm)	2
7	Apex panel	2
8	Door header rail (29 x 29 x 670mm)	1
9	Roof rafter	8
10	Roof panels	6
11	Felt battens (29 x 29 x 1057mm)	4
12	Felt batten block	4
13	Door frame coverstrip (29 x 12 x 1685mm)	2
14	Door	1
15	Roofing felt (5m)	1
16	Roofing ridge felt (2.5m)	1
17	Window frame	1
18	Window perspex (515x560mm)	1
19	Window beading (560mm)	2
20	Window beading (475mm)	2
21	Coverstrips (48x12x1710mm)	7
22	Bargeboard	4

No.	Fixing kit	Qty.
23	Roof gussets	4
24	Finial	2
25	T-hinge (254mm)	3
26	Padbolt	1
27	Turn buttton	1
28	Cabinet hinges	2
29	Window Stay	1
30	50mm coachbolts	4
31	6mm washers	4
32	6mm nuts	4
33	50mm screws	35
34	38mm screws	16
35	25mm screws	48
36	65mm nails	14
37	30mm nails	113
38	20mm nails	12
39	10mm felt nails	112



1. Laying the floor section

Prepare a level area for the shed to sit. Attach three treated wooden or similar bearers of size 50 x 50 x 1520mm to each floor panel (Not supplied in kit). Position the floor on the prepared area and ensure level.

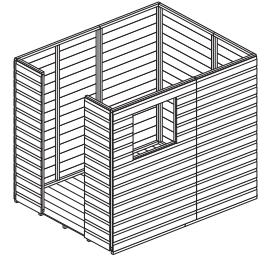
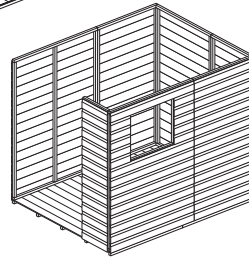
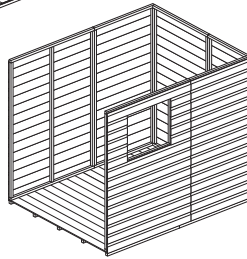
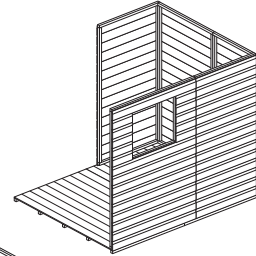
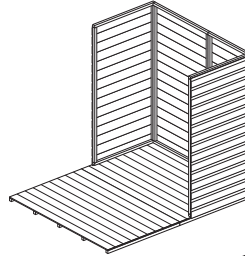
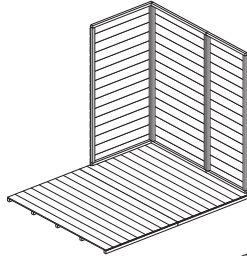
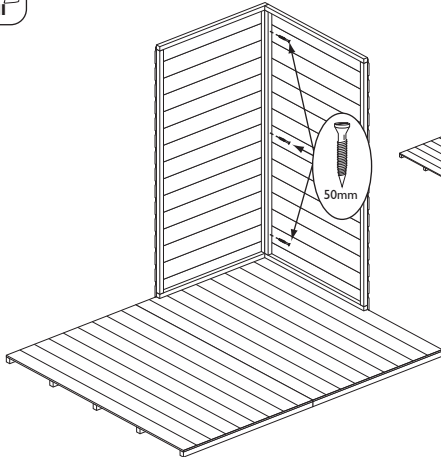


To "VALIDATE" the guarantee, this item should be erected on 50mm x 50mm treated wooden or similar bearers (**These are not supplied with the kit.**) Ground contact must be avoided.

2. Fixing the wall panels together

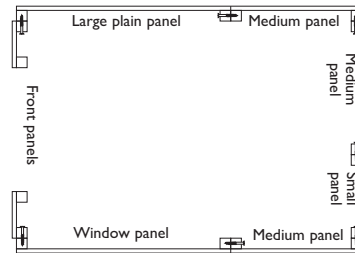
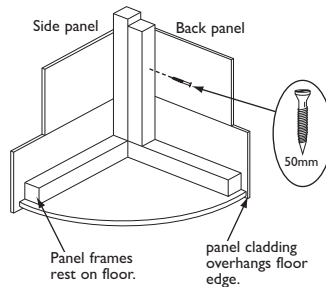
Position two medium panels as shown. Note how the panel frames sit on the floor with the panel cladding overhanging the floor edge. Ensure square and secure using 3 x 50mm screws, screw through the frame of the back panel, into the frame of the side panel. Continue to add panels as shown below securing each one with 3 x 50mm screws.

It is recommended to drill pilot holes with a 4mm drill for each screw.



Assembly tip.

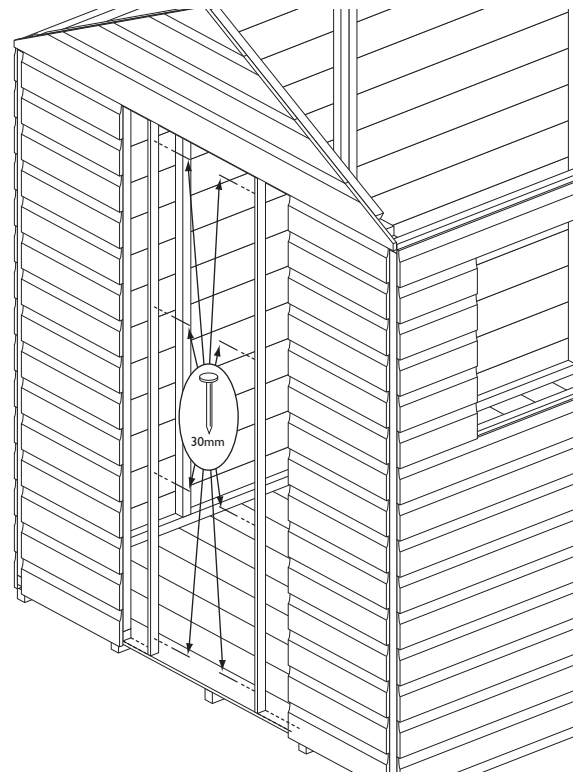
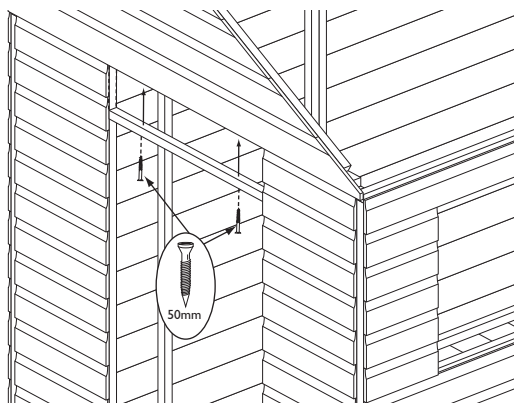
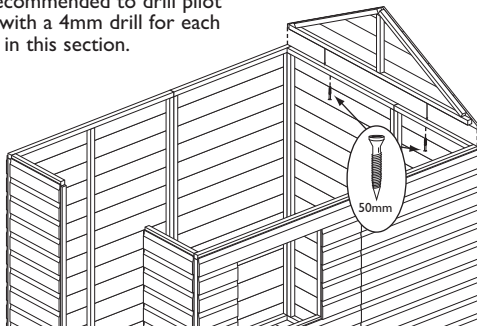
The window panels can be interchanged with any of the large panels on the building.



3. Apex panels, door header rail and door frame coverstrips

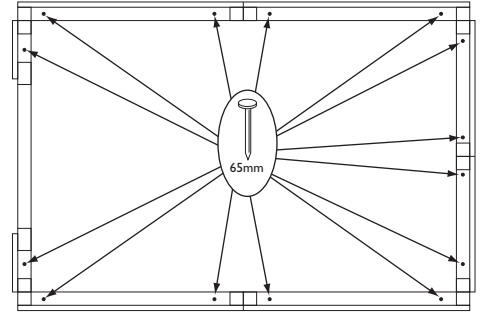
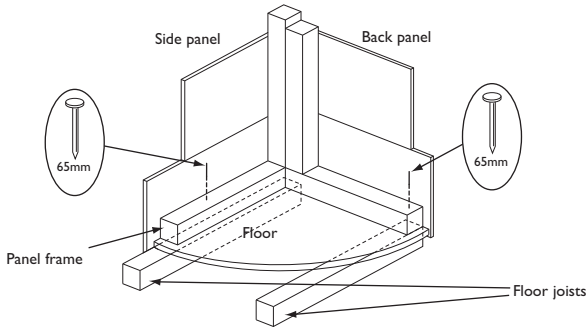
Place an apex panel on top of the back panel, make sure the bottom shiplap board of the apex panel fits correctly into the shiplap board of the back panel. Secure by using 2 x 50mm screws, screw up through the top frame of the back panel into the bottom frame of the apex panel. Repeat for front apex. Attach to the front apex the door header rail using 2 x 50mm screws. Secure it flush to the bottom of the apex framing as shown. The door frame coverstrips are positioned between the floor and the header rail. Attach the coverstrips flush to the framing of the front panels using 4 x 30mm nails per strip.

It is recommended to drill pilot holes with a 4mm drill for each screw in this section.



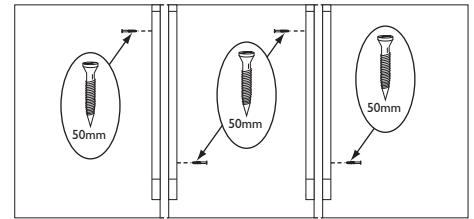
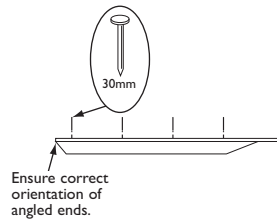
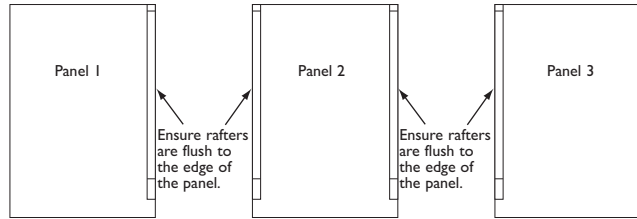
4. Securing the walls to the floor

Ensure the panels are sitting square on the floor. Secure using 14 x 65mm nails, nail through the panel frames and floor into the floor joists.



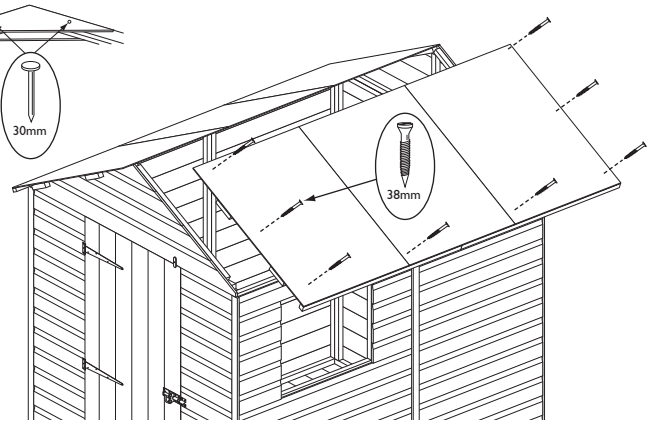
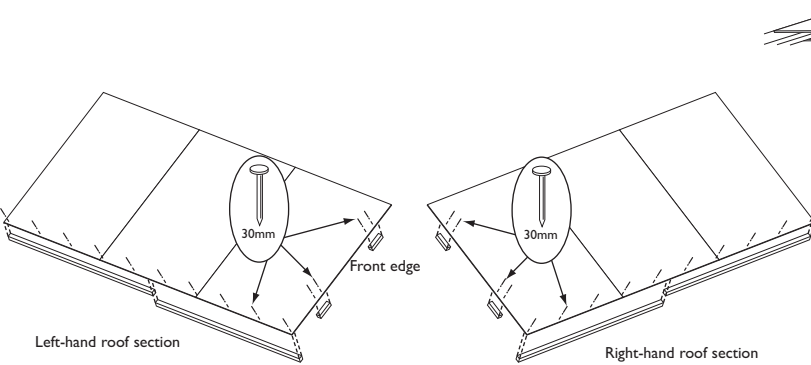
5. Roof sections

To the first roof panel secure a roof rafter flush to the right-hand edge of the panel, ensure the correct angled end of the rafter is flush to the short edge of the panel as shown below. Attach using 4 x 30mm nails, nail through the panel into the rafter. To the second panel attach two rafters in the same way as the first with 1 down each side of the panel. To the third panel attach a rafter down the Left-hand edge. Join the three panels together using 2 x 50mm screws per join, Screw through the the rafter of 1 panel into the rafter of the next as shown. Create a second roof section in the same way as the first



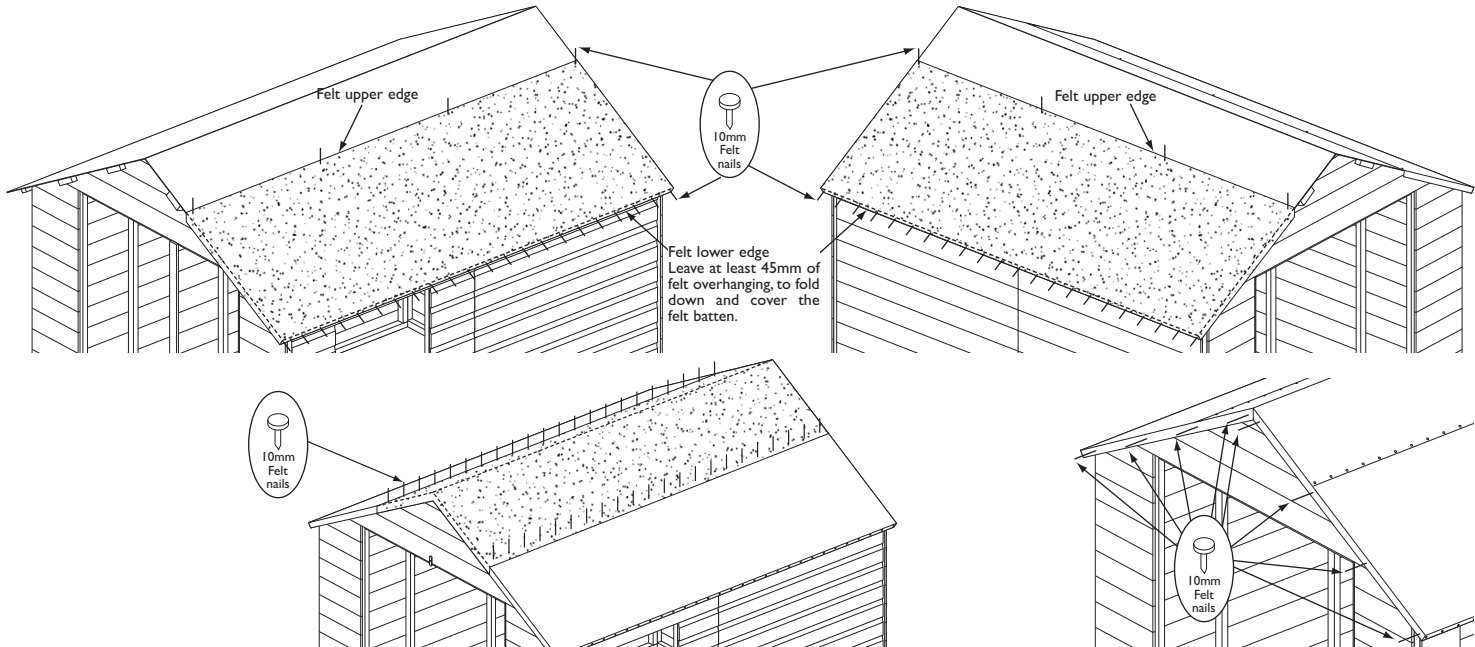
6. Roof sections

Secure to lower edge of both roof sections two felt battens using 5 x 30mm nails per batten as shown. Ensure the felt batten are flush to the edges of the panels. Flush to the front edges of each section attach the roof batten blocks evenly spaced along the edge using 2 x 30mm nails per block. Position the roof panels onto the building, make sure the top edges are located at the apex and the roof is flush with the back apex. Secure with 8 x 38mm screws per roof section, screw through the roof and into the panel framing. From inside the building fix a gusset to both sides of the two rafters using 2 x 30mm nails per gusset.



7. Roofing felt

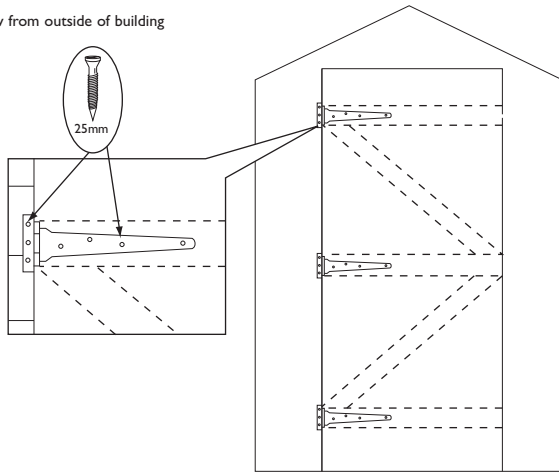
Cut the 5m roofing felt roll into two equal lengths. Place one length over one roof section. At the front and along the lower edge of the roof leave an overhang of felt of at least 45mm. Fold down the felt along the lower edge and secure to the felt batten using 22 x 10mm felt nails evenly spaced. Tension the felt over the roof and secure along the upper edge using 4 x 10mm felt nails. Repeat this for the second piece of felt on the other half of the roof. Once the two pieces of felt are in place take the 2.5m ridge felt roll and place over the apex of the roof making sure it sits centrally over the roof ridge and overlaps the other two felt pieces, attach using 22 x 10mm felt nails evenly spaced, along each lower edge of the third felt. Dress down the ends of all felt pieces and attach to the Batten blocks at the front with 6 x 10mm felt nails. At the back secure to the apex panel using 6 x 10mm felt nails. when all the felt is in position trim any excess.



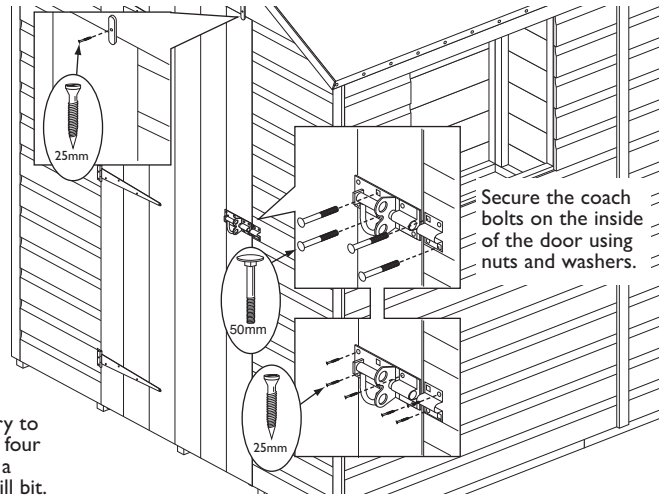
8. Fitting the door

Place the door into position. Fix the three T-hinges to the door with 4 x 25mm screws per hinge. Secure the hinges to the door frame using 3 x 25mm screws per hinge. Fit the turn button to the door frame as shown using 1 x 25mm screw. Fit the padbolt to the door using 4 x 25mm screws and 2 x 50mm coach bolts, nuts and washers. It will be necessary to drill holes for the coach bolts using a 6mm diameter drill bit. Fit the catch plate to the front panel, Ensure the bolt is able to slide into the catchplate, attach using 2 x 25mm screws and 2 x 50mm coach bolts, nuts and washers, as shown below.

View from outside of building



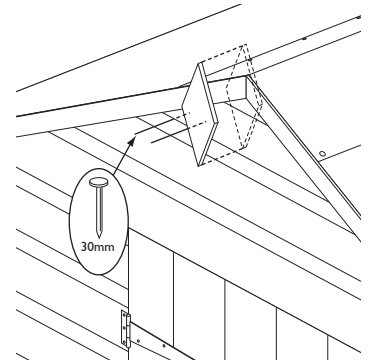
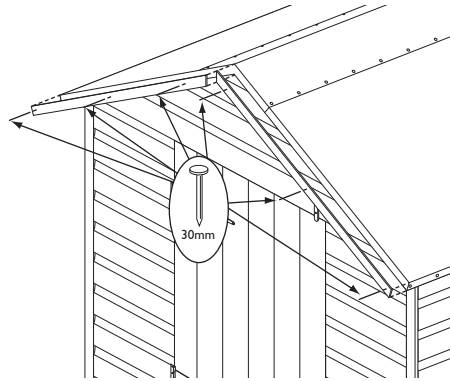
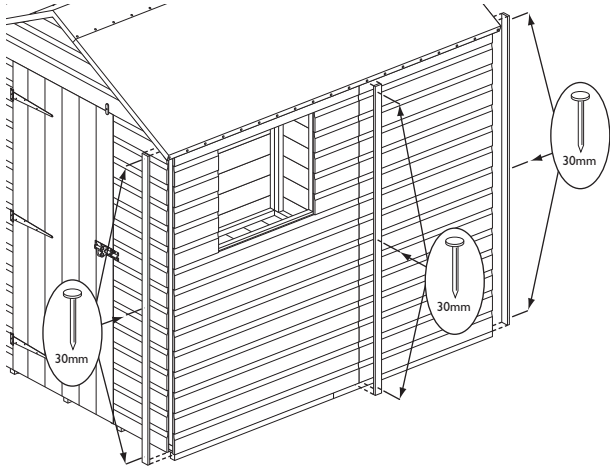
It will be necessary to drill holes for the four coach bolts using a 6mm diameter drill bit.



Secure the coach bolts on the inside of the door using nuts and washers.

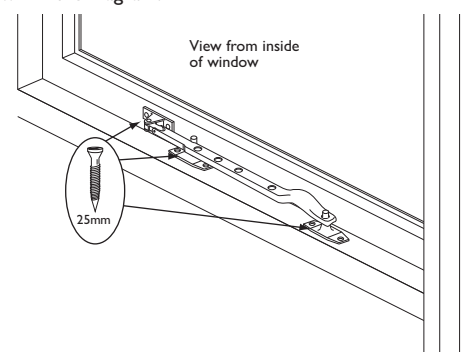
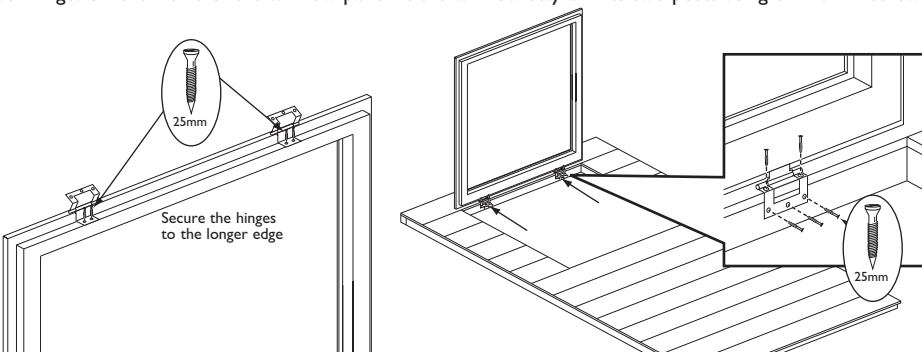
9. Coverstrips, bargeboards and finials

Fit a coverstrip into each corner, attach using 3 x 30mm nails per strip. The remaining three are used to cover the panel joins on each side and the back, attach using 3 x 30mm nails per strip. Attach bargeboards at the front so that the top edge is flush with the roof line and the two boards meet evenly in the middle secure using 3 x 30mm nails per board. Attach a finial centrally over the join between the bargeboards use 2 x 30mm nails. In the same way fit two bargeboards and a finial to the back.



10. Fitting the windows

Fit two storm proof hinges in the rebates on the longer edge of the window as shown in the diagram using 2 x 25mm screws per hinge, stand the hinge end of the window on the window panel, making sure it is centred at the top of the window opening. Open the hinges and secure them to the window panel frame using 5 x 25mm screws per hinge. On the inside of the window panel fit the window stay and its two posts using 6 x 25mm screws as shown in the diagram.



View from inside of window

Important information - retain for future reference

Shiplap buildings come ready stained but this is only a preparatory treatment. To **VALIDATE** the guarantee, the building must be properly treated with a recognised external wood preserver **WITHIN 3 MONTHS** of assembly and **RE-TREATED ANNUALLY** thereafter. The building must also be erected on 50mm x 50mm treated wooden or similar bearers (These are not supplied with the kit.) Ground contact must be avoided.

Timber Information.

As timber is a natural material, there are certain weather conditions that may affect the materials properties. In times of excessive dry spells the material may lose some of its internal moisture causing a certain degree of shrinkage on a panel and in periods of excessive rain there will be a certain amount of swelling throughout the wooden panels. This process can not be avoided. If you have problems with certain boards shrinking in dry spells try to decrease the amount of direct sunlight on the building or the amount of air passing over the building. During hot spells spray water directly onto the panels with the aid of a garden hose.

If in doubt of any aspect regarding the assembly, use or safety of your building please contact us :

Help Line (Normal Office Hours) 01829 261121

ROWLINSON GARDEN PRODUCTS LIMITED
Green Lane
Wardle Nr.Nantwich
Cheshire
CW5 6BN

We constantly improve the quality of our products, occasionally the components may differ from the components shown and are only correct at time of printing. We reserve the right to change the specification of our products without prior notice.

2008 © Rowlinson Garden Products Ltd