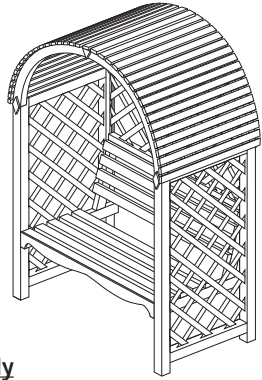


# Victoria Arbour

# English SS086E

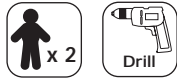
Help Line (Normal Office Hours) 01829 261 121

## Assembly Instructions



### Before assembly

- We recommend that time is taken to read the instructions before starting assembly, then follow the easy step by step guide. The instruction sheet is only a guide to the assembly. Certain items may not be shown to scale.
- Check all components prior to assembly
- Drill all components where indicated.
- This product should be assembled by no less than two people.
- Never attempt to erect the assembly in high winds.

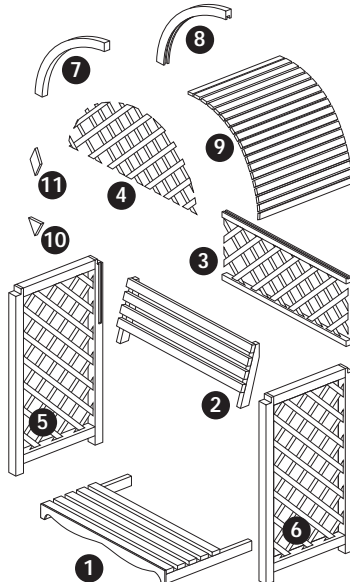


### Recommended tools for assembly

- Cross head screw driver
- Drill with 4mm diameter drill bit
- Step Ladder

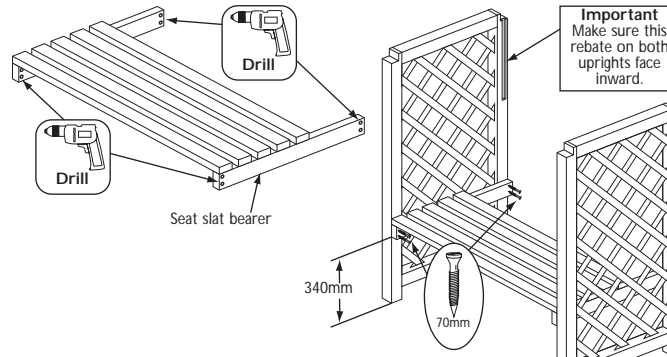
No.	Components	Qty.
1	Seat	1
2	Seat back	1
3	Rectangular lattice	1
4	Arch lattice	1
5	Left upright	1
6	Right upright	1
7	Roof rafter	2
8	Rebated roof rafter	2
9	Roof slat sections	2
10	Triangular finials	2
11	Diamond finials	4

No.	Fixing kit	Qty.
12	Flat brackets	2
13	130mm screws	4
14	70mm screws	18
15	40mm screws	96



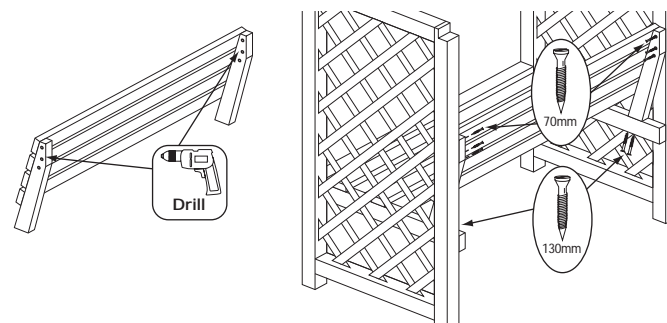
### 1. Seat to uprights

Drill four holes in each seat slat bearer as shown in the diagram. Position the seat between the two uprights, 340mm from the bottom of the upright. Secure through the pre-drilled holes into the upright legs using 8 x 70mm screws.



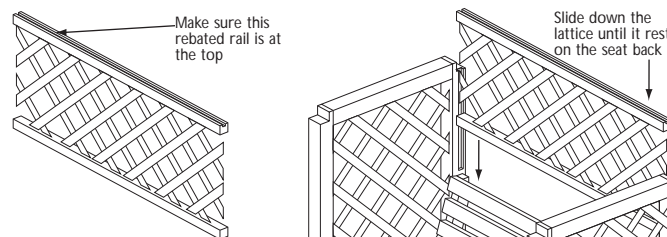
### 2. Seat back to uprights

Drill six holes in the seat back as shown in the diagram. Place the seat back on the seat between the two uprights. Secure through the pre-drilled holes into the legs of the uprights using 6 x 70mm screws. Attach the seat back to the seat bearer by screwing 2 x 130mm screws up through each seat bearer into the bottom of the seat back as shown.



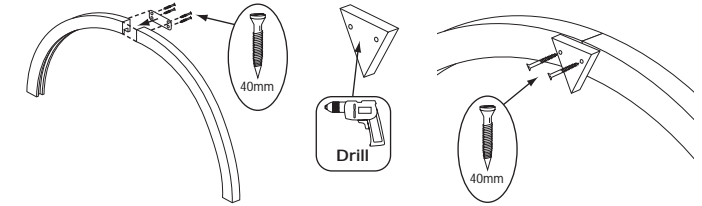
### 3. Rectangular lattice to uprights

With the rebated rail of the rectangular lattice at the top, slide the lattice down the rebates of each upright so it rests on the top of the seat back.



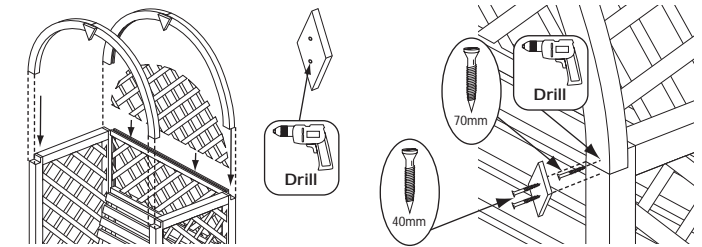
### 4. Roof rafter Assembly

Secure the ends of the rebated roof rafters together using a flat bracket and 4 x 40mm screws as shown below. Drill 2 holes in a triangular finial. Secure using 2 x 40mm screws over the front of the join in the rafter. Repeat for the plain roof rafters.



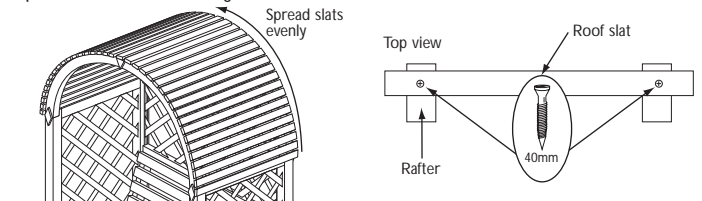
### 5. Roof to uprights

Lift the plain rafter onto the front rebates of the uprights. Drill a hole at each corner of the roof as shown in the diagram, then secure the roof to the uprights using 1 x 70mm screw per corner. Repeat for rebated rafters onto the back with the arch lattice fitted in the rebates. Secure the finials over the joins between the rafter and the uprights using 2 x 40mm screws per finial.



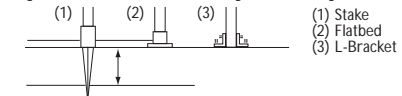
### 6. Roof slats

Evenly spread the roof slats over the rafters and secure using 2 x 40mm screws per slat, screwed through the slats and into the rafters.



### 7. Securing the posts

Place the arbour in the desired location. For a more permanent base fixture use a metal base fixing to secure the bottom of the upright posts into the ground (1 & 2). If securing to decking or concrete base use metal L-brackets (3).



We constantly improve the quality of our products, occasionally the components may differ from the components shown and are only correct at time of printing. We reserve the right to change the specification of our products without prior notice.