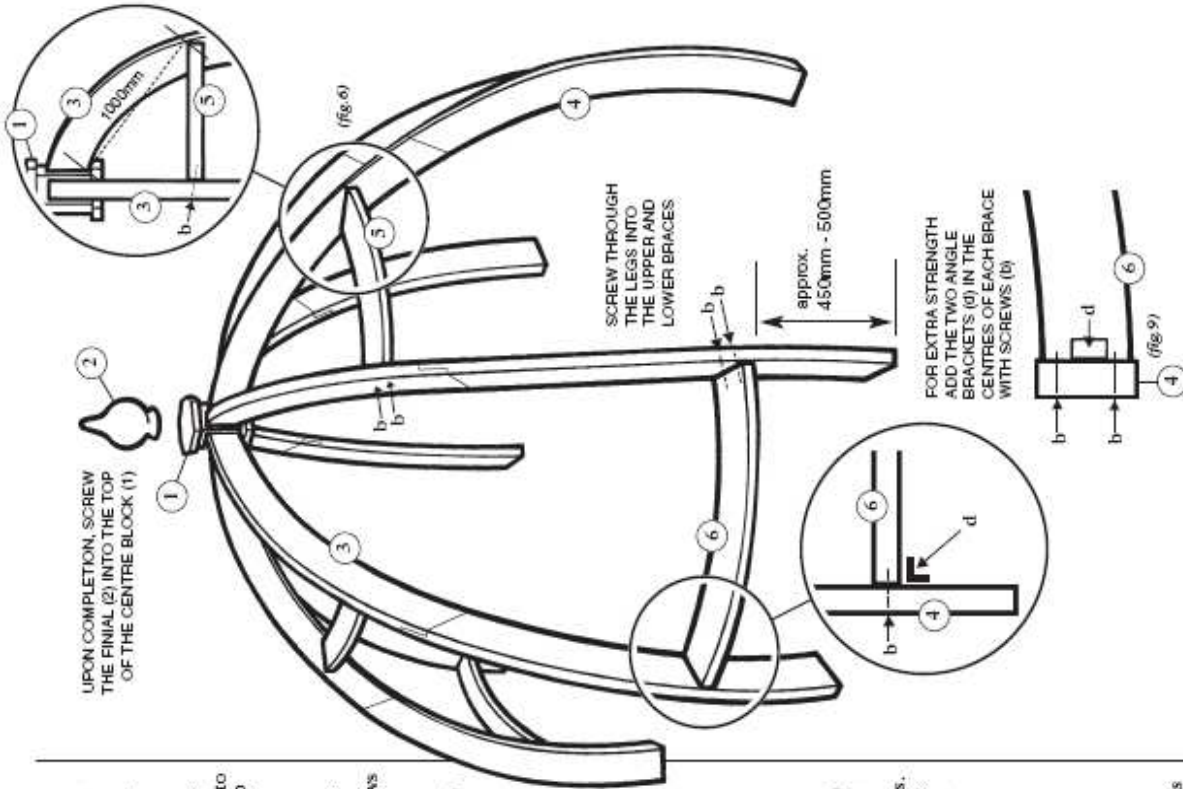


APOLLLO PERGOLA

ASSEMBLY INSTRUCTIONS



STEP 6
The Upper Leg Braces (5) must now be fitted. These are fitted at alternate intervals between the legs.

Using a rigid piece of timber, mark off 1000mm from where the bottom of the Upper Leg is attached to the Centre Block to the top edge of the Leg.

The Brace should be attached to the Leg such that the Brace is as shown in fig.6, parallel to the ground. Fix with two screws (b) in either end.

STEP 7
The Lower Leg Braces (6) should now be fitted in between the legs without top Braces.

Determine the height where the Braces will be fixed. This may be any distance between 450mm-500mm

TIP:

Cut two pieces of timber to the desired height and place against the leg to support the Brace whilst fixing.

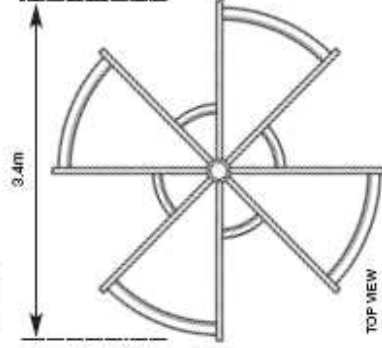
Screw all four Braces in place.

Fix the Angle Brackets (d) at the centre of the Brace as shown in fig.9 to support each of the Braces. This will allow them to be used as seats if preferred.

NOTE:

The manufacturer reserves the right to alter specifications as necessary.

PLAN



TOP VIEW



SIDE VIEW

NOTE:
ALL SIZES LISTED IN
THIS BOOKLET ARE
APPROXIMATE

Aftercare:- To ensure longevity of your structure it is recommended that it is treated with a wood preservative on a yearly basis.



GRANGE FENCING LIMITED
Unit 11, The Grange
Tel: 01923 200004 Fax: 01923 534252
Email: info@grangefencing.co.uk
Web: www.grangefencing.co.uk

Thank you for choosing this garden structure from Grange Fencing Ltd. In order to gain the most benefit from it please read the following instructions carefully.

TOOLS REQUIRED (Not Supplied)

POWER DRILL

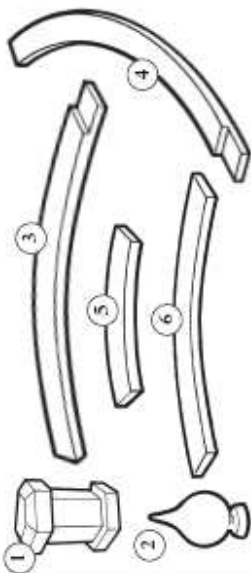
TAPE MEASURE

STEP LADDER



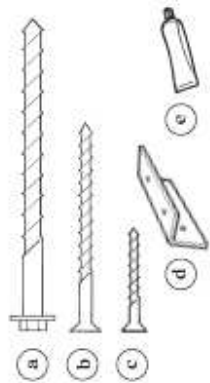
PARTS LIST

- 1 CENTRE BLOCK
- 1 FINIAL
- 8 UPPER LEG SECTION
- 8 LOWER LEG SECTION
- 4 UPPER LEG BRACE
- 4 LOWER LEG BRACE



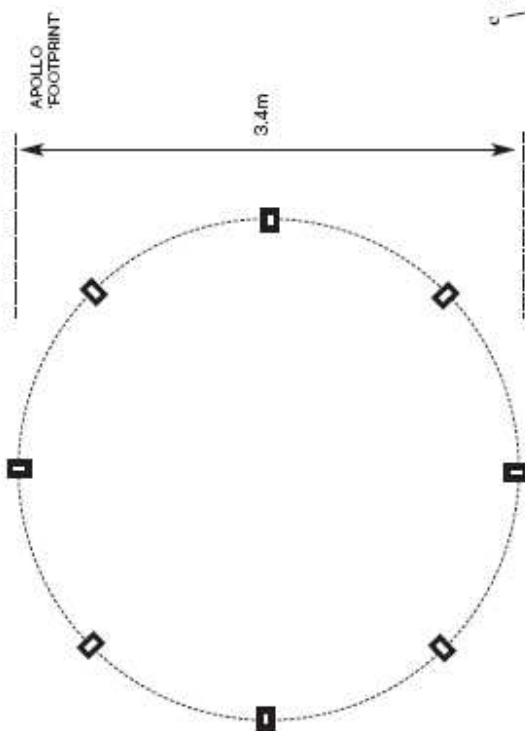
HARDWARE PACK

- a) SCREW 150 (6" Index Screw) 8
- b) SCREWS M10 x 4" 32
- c) SCREWS M3.5 x 40" (Screw 6) 64
- d) RIGHT ANGLE BRACKET 8
- e) WOOD GLUE 8



BEFORE YOU START

- Please ensure that you check all the component parts for quantity and quality before you commence building the product. Report any missing parts immediately. The manufacturer will not accept any responsibility for damaged items once any part of the product has been fitted or altered in any way.
 - Timber is a natural material and will react to varying levels of moisture content - i.e. will swell or shrink. All of the Timber components are pressure treated green. However, should extra protection be required, they should be treated using a wood preservative treatment, following the manufacturers instructions.
 - It is advisable to drill pilot holes to avoid the risk of the timber splitting when screwing the components into place.
- HEALTH AND SAFETY**
DO ensure there is adequate working space when building the Pergola.
Do NOT overstretch when working from the step ladder.
In order to reduce the risk of suffocation please keep all plastic bags and small parts away from children.
- When you are ready to start, make sure you have the right tools to hand, plenty of space and a clean, dry area for assembly. *It is recommended that two people erect the structure.*



ASSEMBLY INSTRUCTIONS

- STEP 1**
 Take one of each of the upper and lower leg sections (3&4). On a flat surface, fix the sections together using the glue provided. Screw together as fig.1 using screws (C).
- Repeat for the remaining seven leg sections. Make sure the assemblies are in a flat dry area. ALLOW THE GLUE TO SET OVERNIGHT.
- STEP 2**
 Drill a pilot hole through the top of the leg section at an angle for the screw (a) to go through into the Centre Block (1).
- Fix the Leg Section to the Centre Block as shown in fig.2
- STEP 3**
 Fix a second Leg Section in the same way directly opposing the one fitted in Step 2.
- STEP 4**
 A second person will be required to assist at this point; and a step ladder.
- Raise the assembly into an upright condition. Fix a third leg assembly at 90° to those fitted.
- STEP 5**
 Fix the remaining leg sections to complete the circle.

(continued overleaf)

