

Patio Deck Kit Assembly Instructions

HARTLEBURY TRADING ESTATE, HARTLEBURY, WORCS DY10 4JB

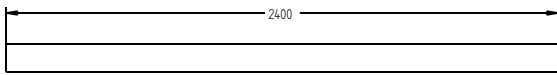
“IMPORTANT, RETAIN FOR FUTURE REFERENCE: READ CAREFULLY”

Issue 0209

Thank you for choosing this deck kit from Larch Lap, the U.K.'s largest manufacturer of timber garden products. In order to gain the most benefit from it, please note the following:

- 1) Please take time to read the assembly instructions carefully before erecting the deck, and check all parts prior to assembly. Neither refunds nor replacements can be offered if the building is incorrectly assembled.
- 2) Whilst we will replace any damaged or defective parts free of charge, we cannot accept any parts that have been modified from their original condition, eg. drilled, sawn or painted.
- 3) All holes should be pre-drilled in order to prevent wood from splitting.
- 4) Please take care to keep all plastic bags and small parts away from children to minimise the risk of suffocation.
- 5) This product is pressure treated to ensure longevity of all timber components and protect against rot. This may leave a colour difference in some parts that will even out as the moisture contents stabilises.

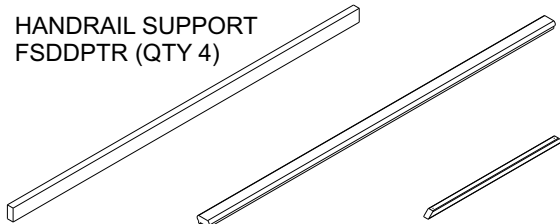
Components Included



PATDB1PTR (QTY 28)



HANDRAIL SUPPORT
FSDDPTR (QTY 4)



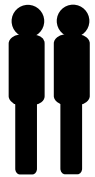
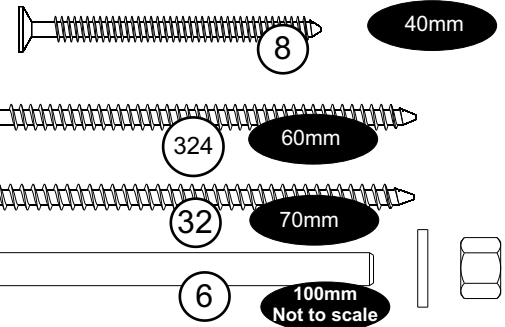
HANDRAIL LONG
FSDHRPTR(QTY 2)

BALUSTER
FSB4PTR (QTY 40)

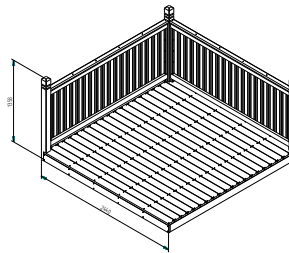
UPRIGHTS
LFSDPVV2PTR (QTY 3)

Fixings Included

PAT88V2FP



Important : Assembly of this deck requires two people.
Assembly should take approximately ½ a day.



Required Tools : (Not Supplied)



DRILL



TAPE MEASURE



POZI DRIVE SCREWDRIVER

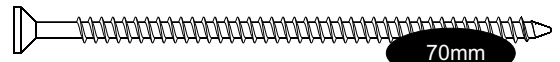


SAW



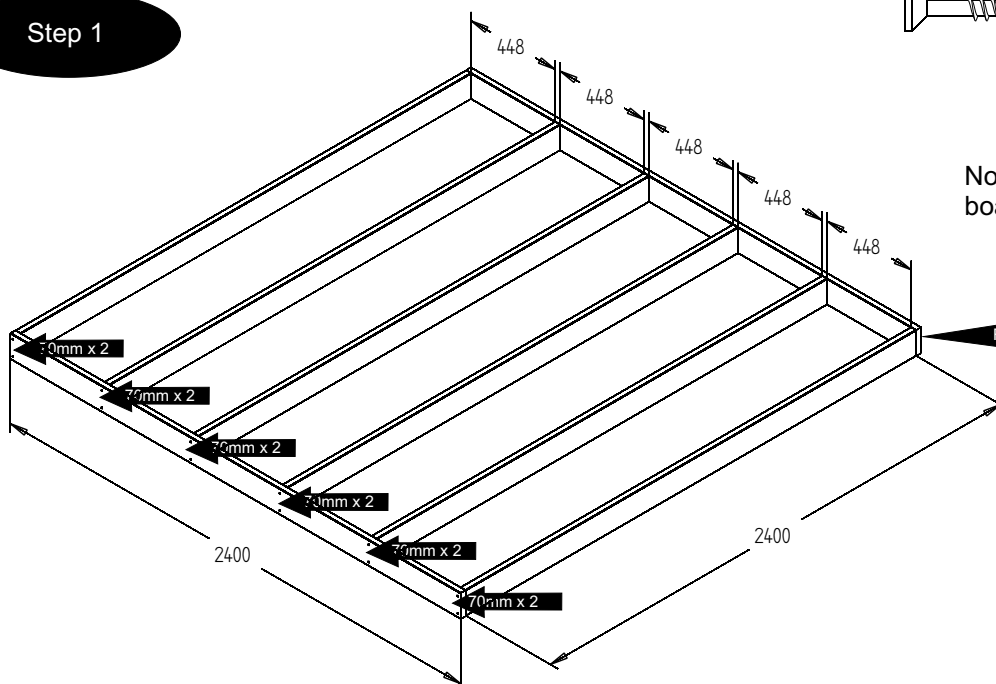
SPIRIT LEVEL

Step 1

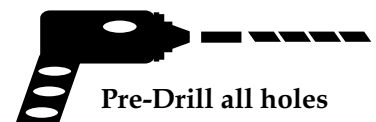


70mm

Note that 8 of the PATDB1PTR boards are used to make the base.

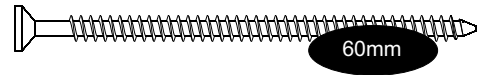


Repeat along this side with 70mm screws

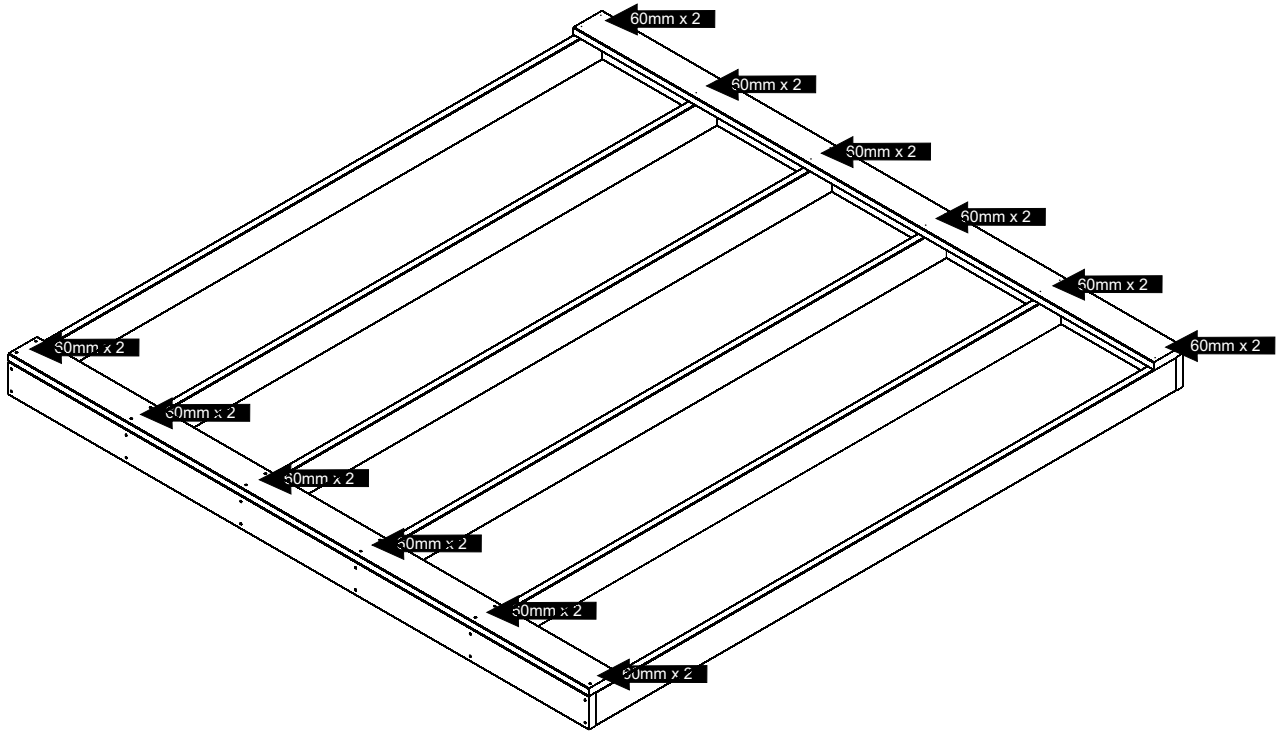


Should you require any additional guidance with the assembly of your arbour please contact our technical help line on 0844 248 9853 between the hours of 8:30am and 5:00pm Monday-Friday.

Step 2

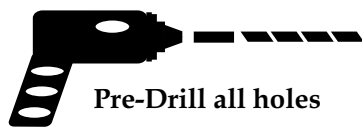
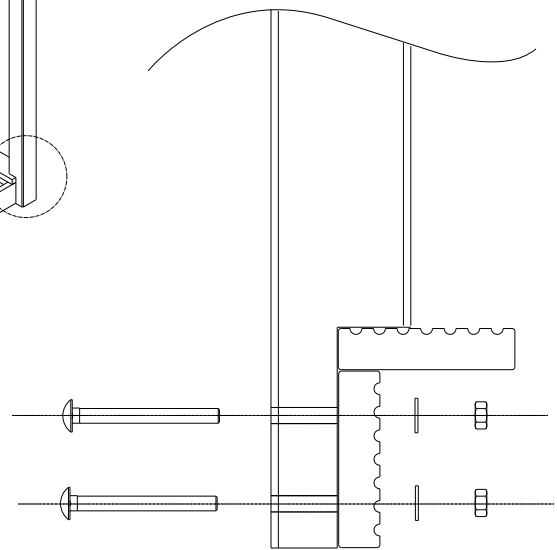
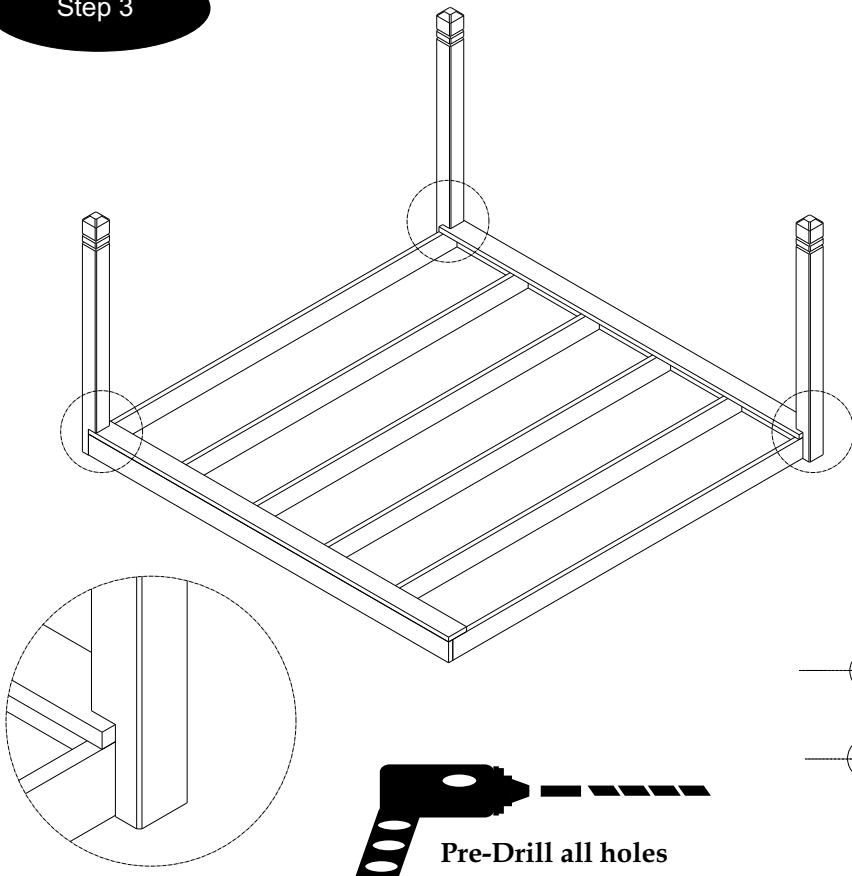


60mm



IMPORTANT : PRIOR TO PROCEEDING PLEASE MEASURE DIAGONALS. BOTH DIAGONALS MUST BE = IN ORDER TO ENSURE DECK IS SQUARE.

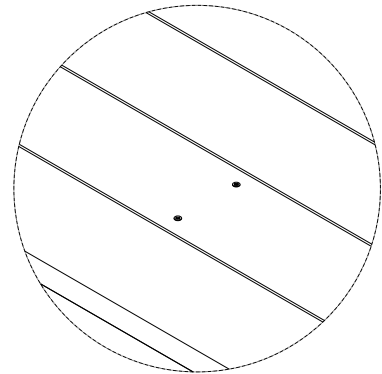
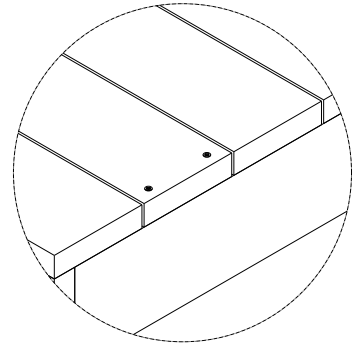
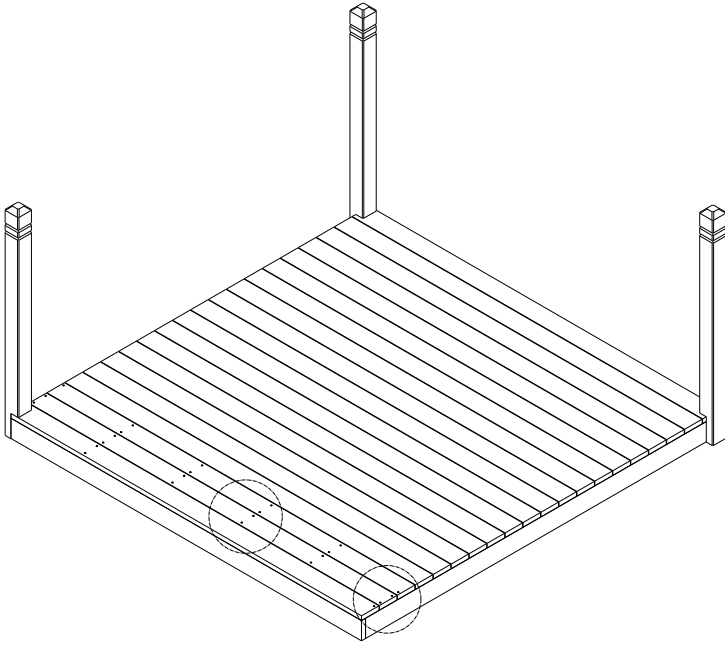
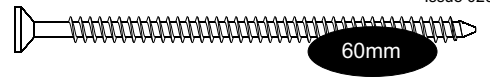
Step 3



Pre-Drill all holes

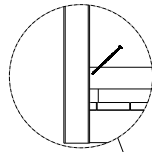
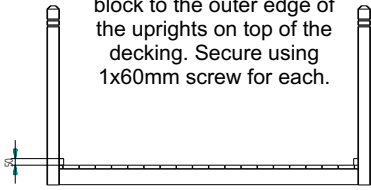
Position uprights (LFSDPVV2PTR) As shown on top of the boards to the outside edge of the deck. Secure using 100mm bolts.

Step 4

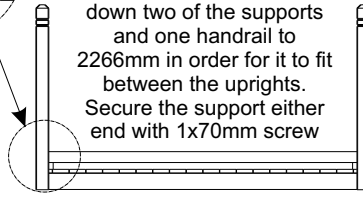


Position the rest of the Deck boards (PATDB1PTR) Equally spacing them across the entire deck.
Secure to each supporting deck board using 2x60mm screws on each,

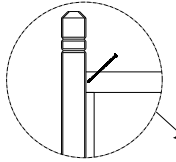
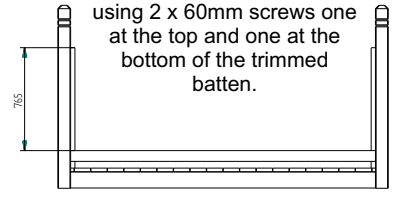
Cut one baluster (FSB4PTR) So there are 4 x 50mm blocks. Attach this block to the outer edge of the uprights on top of the decking. Secure using 1x60mm screw for each.



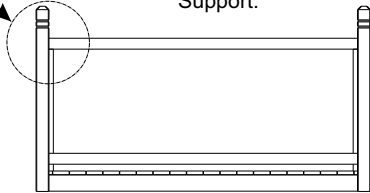
Position a handrail support (FSDHRPTR) On top of the blocks. You will need to cut down two of the supports and one handrail to 2266mm in order for it to fit between the uprights. Secure the support either end with 1x70mm screw



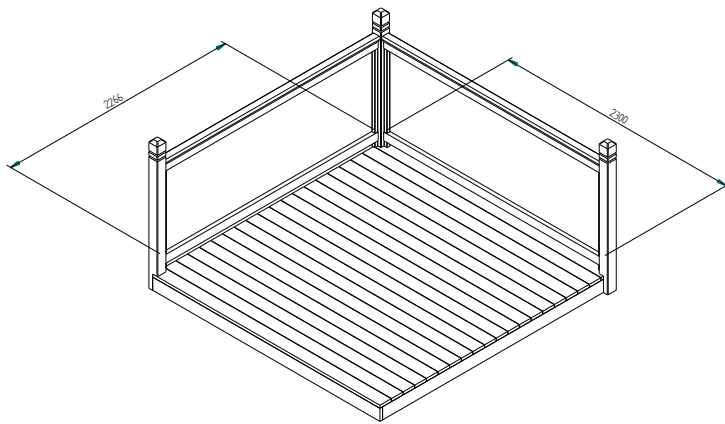
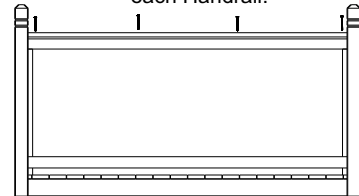
Cut 4 more balusters too 765mm and place these on top of the supports. Secure using 2 x 60mm screws one at the top and one at the bottom of the trimmed batten.



Position the second correctly sized Handrail support onto the trimmed battens and secure in the same manner as the bottom Hand Rail Support.



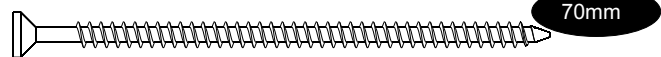
Attach the correctly sized Handrail to the top using 4 x 40mm screws evenly space across each Handrail.



40mm



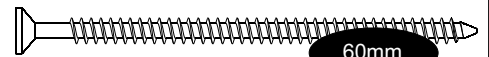
60mm



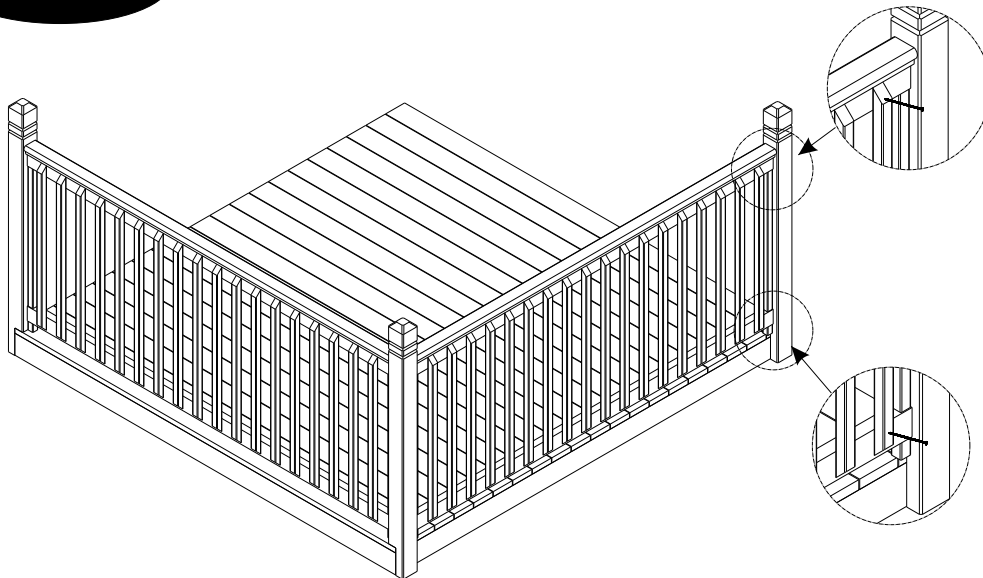
70mm

Step 5

Step 6



60mm



Attach the remaining Balusters (FSB4PTR) Evenly across each Handrail assembly. Secure using 1x60mm screw top and bottom.