



PACK A

PLEASE SEE OVERLEAF FOR ASSEMBLY INSTRUCTIONS

Grange

TRADITIONAL PATIO PERGOLA

PLAN

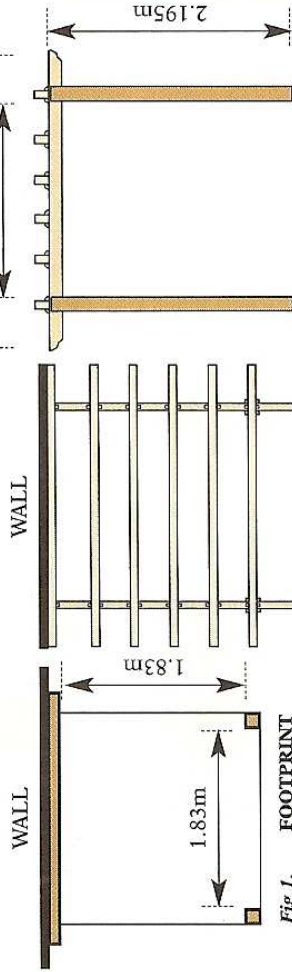
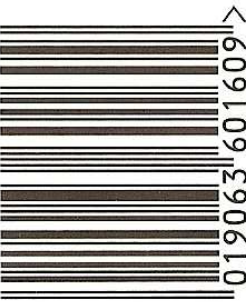


Fig 1. FOOTPRINT



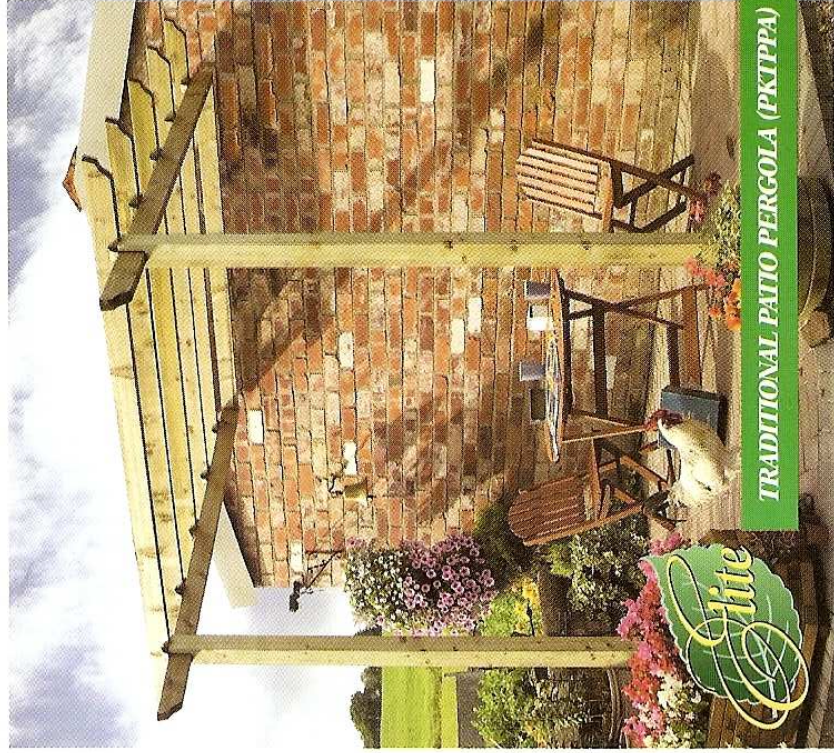
PACK A

WITH 2.7m POSTS FOR BEDDING DIRECTLY INTO THE GROUND

Grange Code: PKTPPA

GRANGE FENCING LIMITED
 Halesfield 21, Telford TF7 4PA
 Tel: 01952 588088 Fax: 01952 581522
 Email: sales@grangefen.co.uk Web: www.grangefen.co.uk
 OUT OF HOURS MESSAGE SERVICE: 01952 588088

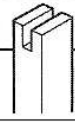

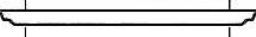
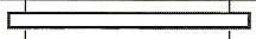

JANUARY 06 - ISSUE 1



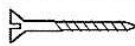


TRADITIONAL PATIO PERGOLA (PKTPPA)



PARTS SUPPLIED

| Ref. | Description | | Qty. |
|----------|---------------|---|------|
| A | POSTS |  | 2 |
| B | RAFTERS |  | 2 |
| C | RAFTERS |  | 5 |
| D | RAFTER |  | 1 |
| E | RAFTER BLOCKS |  | 20 |

TRADITIONAL PATIO PERGOLA ASSEMBLY INSTRUCTIONS

| 1x HARDWARE PACK & ACCESSORIES: | | | |
|---|---------------------|---|----|
| x | SCREWS 5 x 70mm |  | 6 |
| y | SCREWS 4 x 40mm |  | 40 |
| z | SCREWS 5 x 100mm |  | 3 |
| TOOLS REQUIRED (not supplied) CROSS HEAD SCREWDRIVER | | | |

BEFORE YOU START

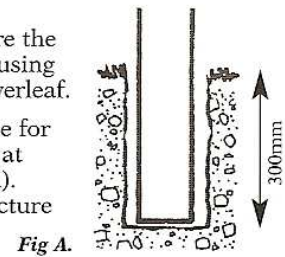
- Check the pack/s and make sure that you have all of the parts listed above. If not, contact your retailer who will be able to help you.
- When you are ready to start, make sure you have the right tools to hand, plenty of space and a clean, dry area for assembly.

It is advisable for two people to carry out the work

SITE PREPARATION

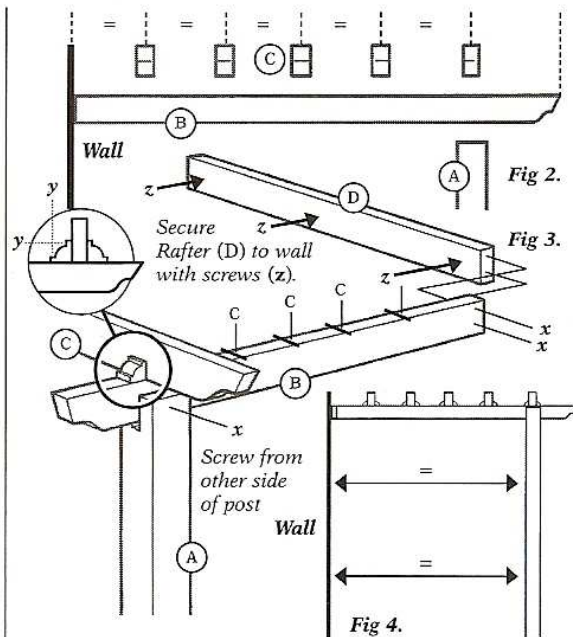
Mark out the area where the structure is to be sited using the 'footprint' shown overleaf.

Excavate a 300mm² hole for each post to a depth of at least 300mm (see Fig.A). This will give your structure adequate stability.



ASSEMBLY

1. It is advisable to mark each of the Rafters (B), used as supports, where the roof rafters will be fixed, before beginning assembly. For the suggested spacing see Fig.2.
2. The short Rafter (D) needs to be fixed to the wall at the same height as the rafter which locates into the top of the posts. This will need to be cut down to 1880mm.
3. This rafter must be level and centrally fixed using three screws (z) as in Fig.3.
4. Assemble one of the Rafters (B) into one of the posts (A) and secure the free end to the end of the rafter fixed to the wall.
5. Next, fix the second Rafter (B) to the other post and fix it to the other end of the wall mounted rafter using 2x screws (x) each side (Fig.3).
6. Position one of the Rafters (C) at the front end of Rafters (B) at the post position and fix in place using the Rafter Blocks (E). The distance between the front posts should be 1830mm. Fix Rafters (B) in position with screws (x).
7. Fix all remaining rafters at the points previously marked on Rafters (B) using rafter blocks.
8. Adjust the post positions so that the structure is level and upright (see Fig.4).
9. Finally, fix the posts into position using the method for the kit selected.



WHEN USING AS AN EXTENSION TO THE TRADITIONAL PERGOLA

To allow the Traditional Patio Pergola to be added to the Traditional Pergola the following changes need to be made.

The Rafters (B) in the Traditional Patio Pergola have to fit into the top of the posts of the Traditional Pergola. To enable this to be done the two Rafters (B) in the Traditional Pergola kit need to be cut down to the same size as the (B) Rafters in the Traditional Patio Pergola kit.

Once this has been done the two rafters should be located into the top of the posts.