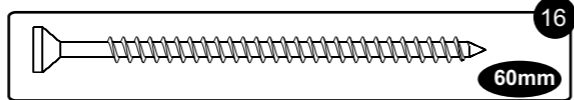
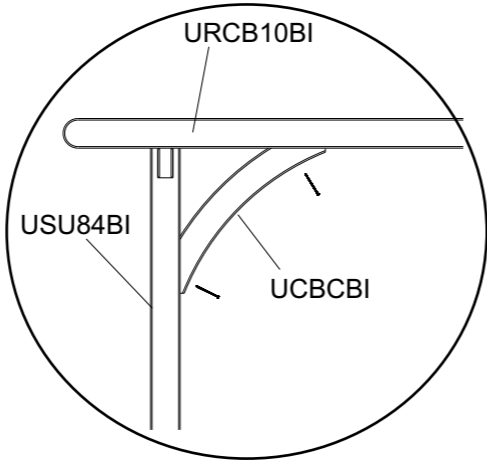
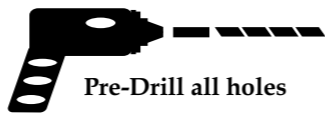
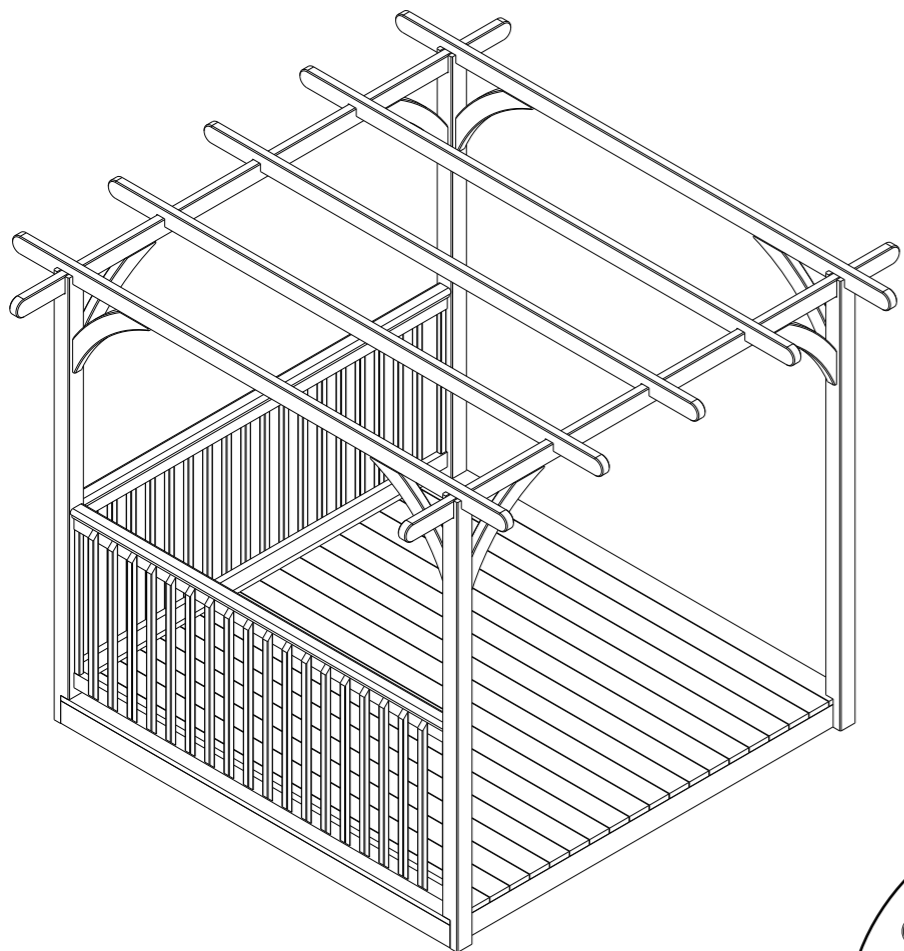


9



Secure the **UCBCBI** (braces) in place to the **USU84BI** (post) and the **URCB10BI** (rafter) through the pre-drilled holes using 2x60mm screws for each brace

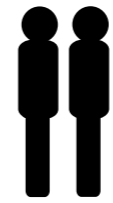
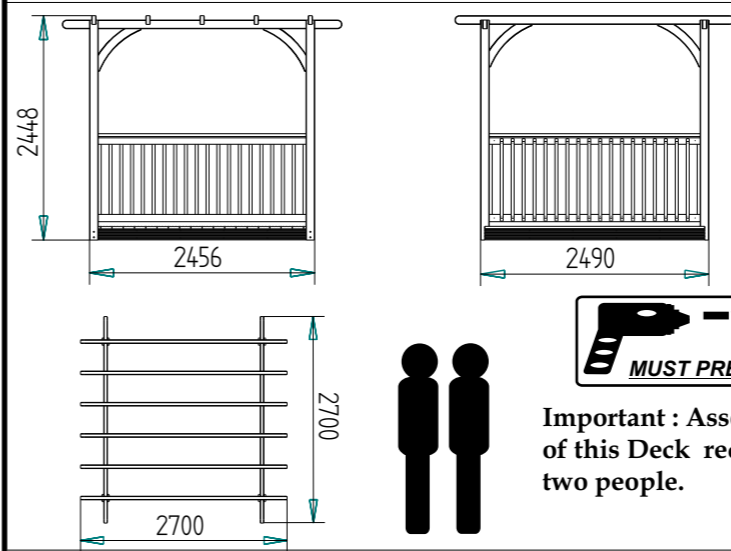


Forest Garden plc.  
Units 291 & 296 Hartlebury Trading Estate  
Hartlebury  
Worcestershire  
Dy10 4JB  
  
General Enquiries: 0844 248 9853  
E-mail: info@forestgarden.co.uk  
  
www.forestgarden.co.uk

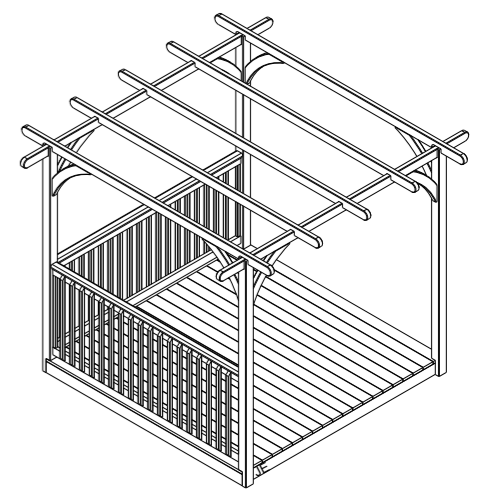
# Forest Garden plc

## ULTIMA DECK KIT UPDCK88V2

0209



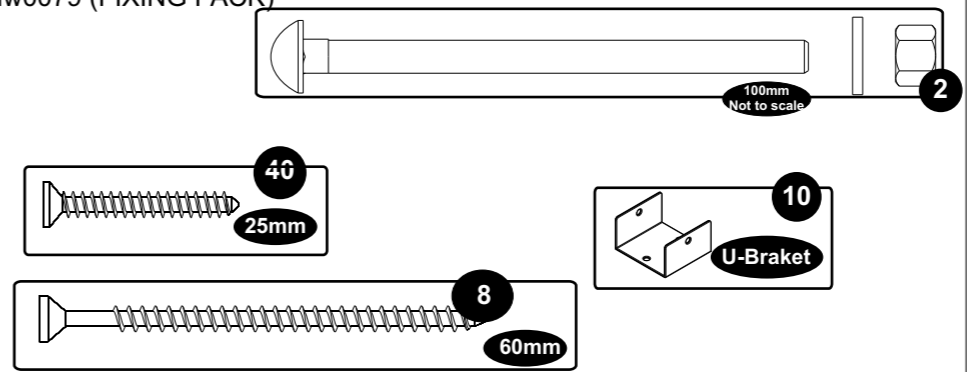
Important : Assembly of this Deck requires two people.



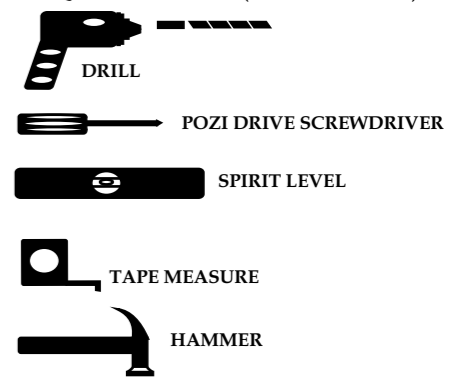
Thank you for choosing this Deck manufactured by the UK's largest manufacturer of timber garden products. In order to gain the most benefit from it, please note the following:  
- Exercise particular care and follow instructions.  
- This Deck is pressure treated. For extra protection from the elements we recommend that you treat your structure using a wood preservative treatment. Apply in accordance with the manufacturers instructions.  
- Please ensure that you thoroughly check all component parts for quantity and quality before you commence building the product. If there are any missing parts, please contact the help line as shown immediately. The manufacturer cannot be held liable for damaged items once any part of the product has been fitted or altered in any way (e.g. Painted)  
- Timber is a natural material. It will shrink and swell as a result of varying moisture content.  
- Please keep all plastic bags and small parts away from children in order to reduce the risk of suffocation.  
- Important Note : Do not lean or stand on rafters during assembly they are not load bearing.  
- If there are any technical queries with the product, please contact our customer help line on 0844 248 9853 between the hours of 8.30 am and 5.00 pm Monday to Friday.

- 4 POST USU84BI
- 7 RAFTER URCB10BI
- 8 BRACE UCBCBI
- 36 BALUSTER FSB4PTR
- 4 DECK RAIL FSDDPTR
- 28 HAND RAIL FSDHRPTR

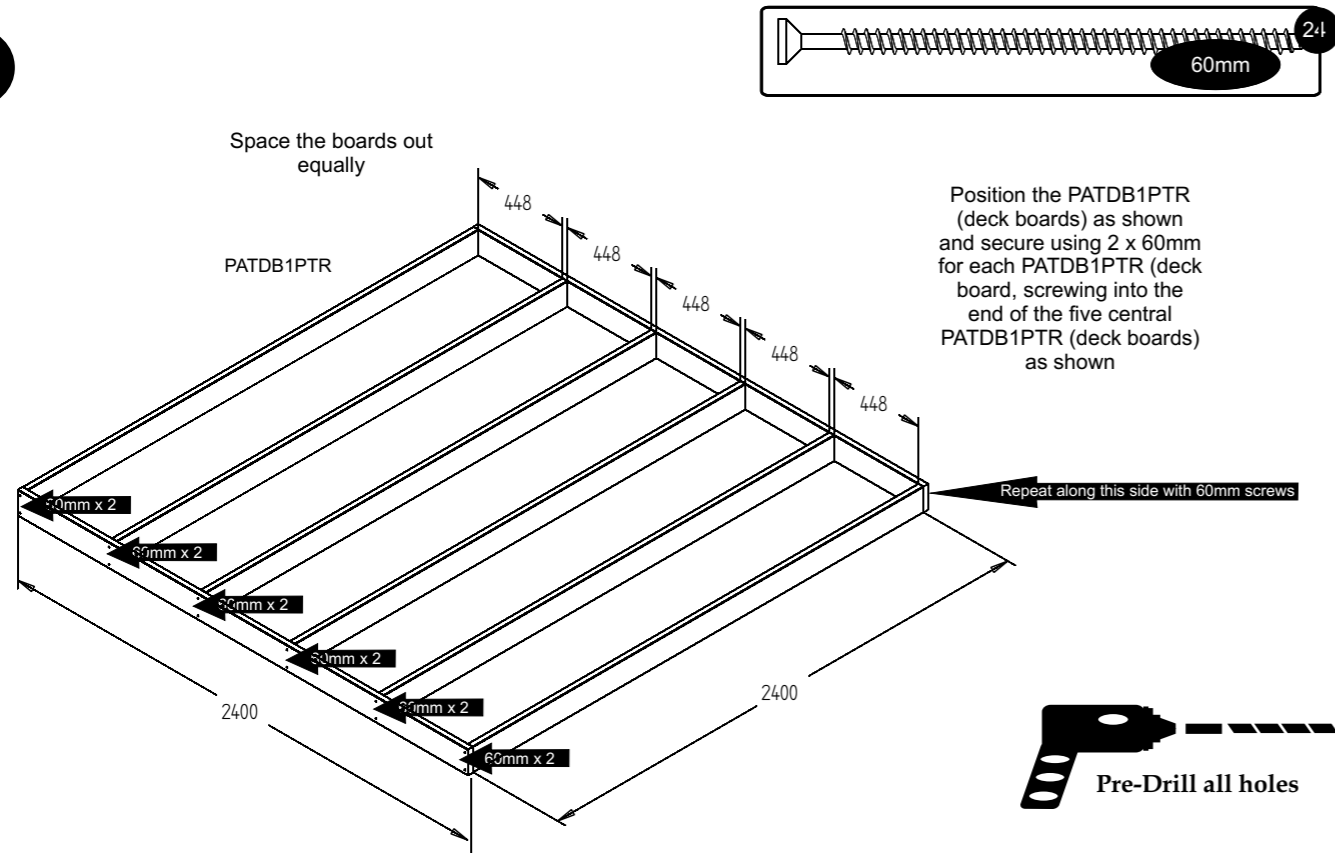
Hw0079 (FIXING PACK)



REQUIRED TOOLS : (NOT SUPPLIED)

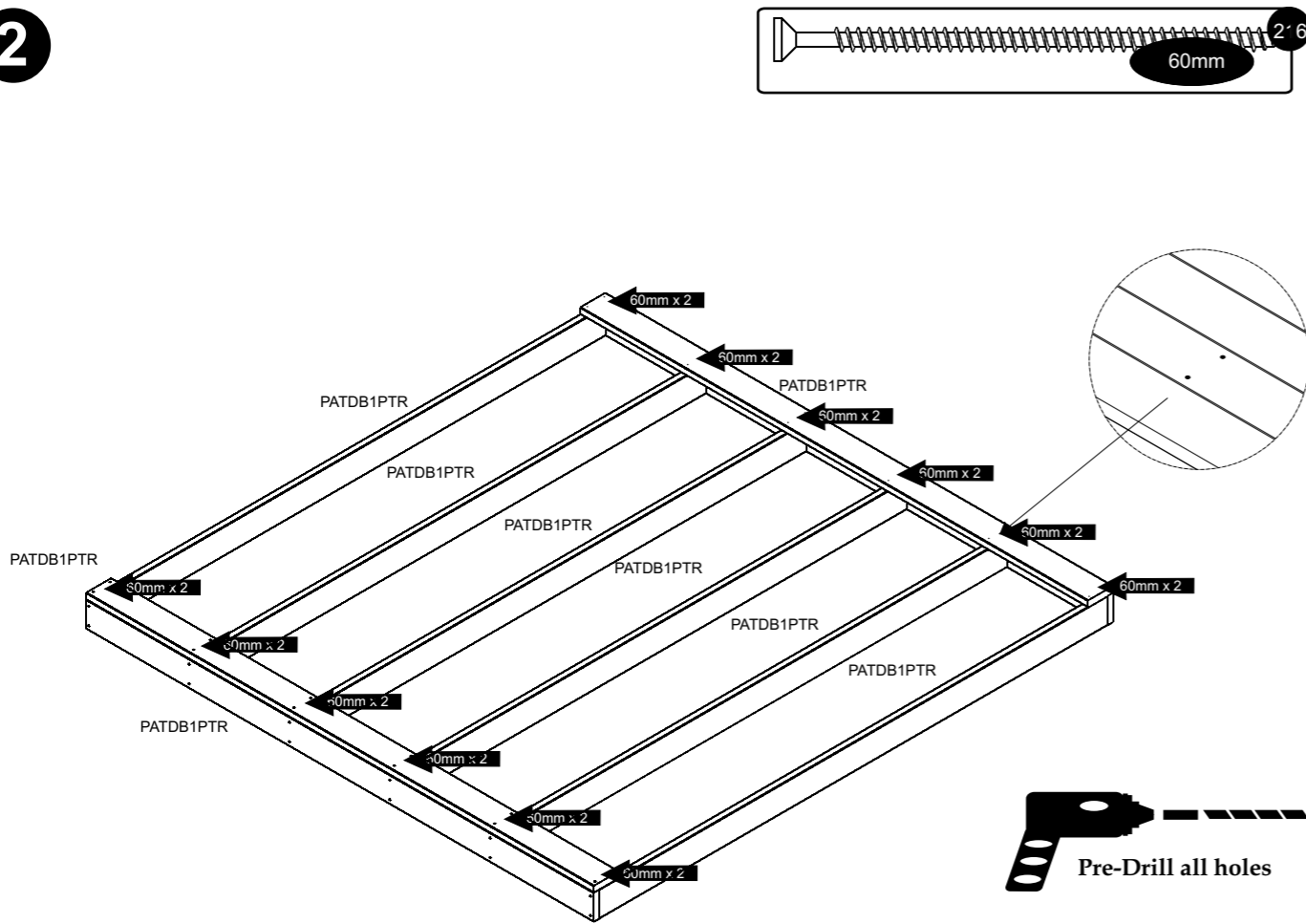


1



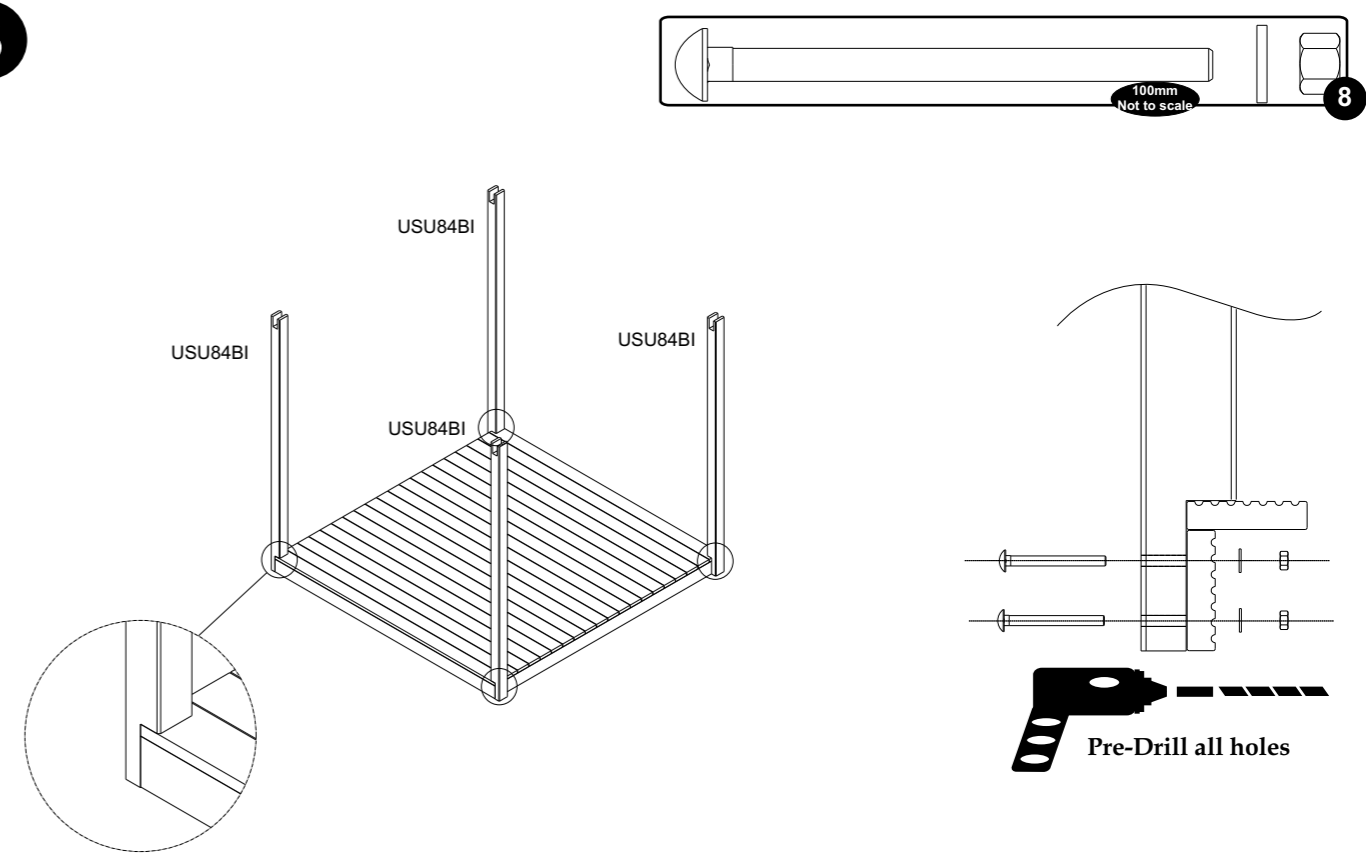
**IMPORTANT : PRIOR TO PROCEEDING PLEASE MEASURE DIAGONALS. BOTH DIAGONALS MUST BE = IN ORDER TO ENSURE DECK IS SQUARE.**

2



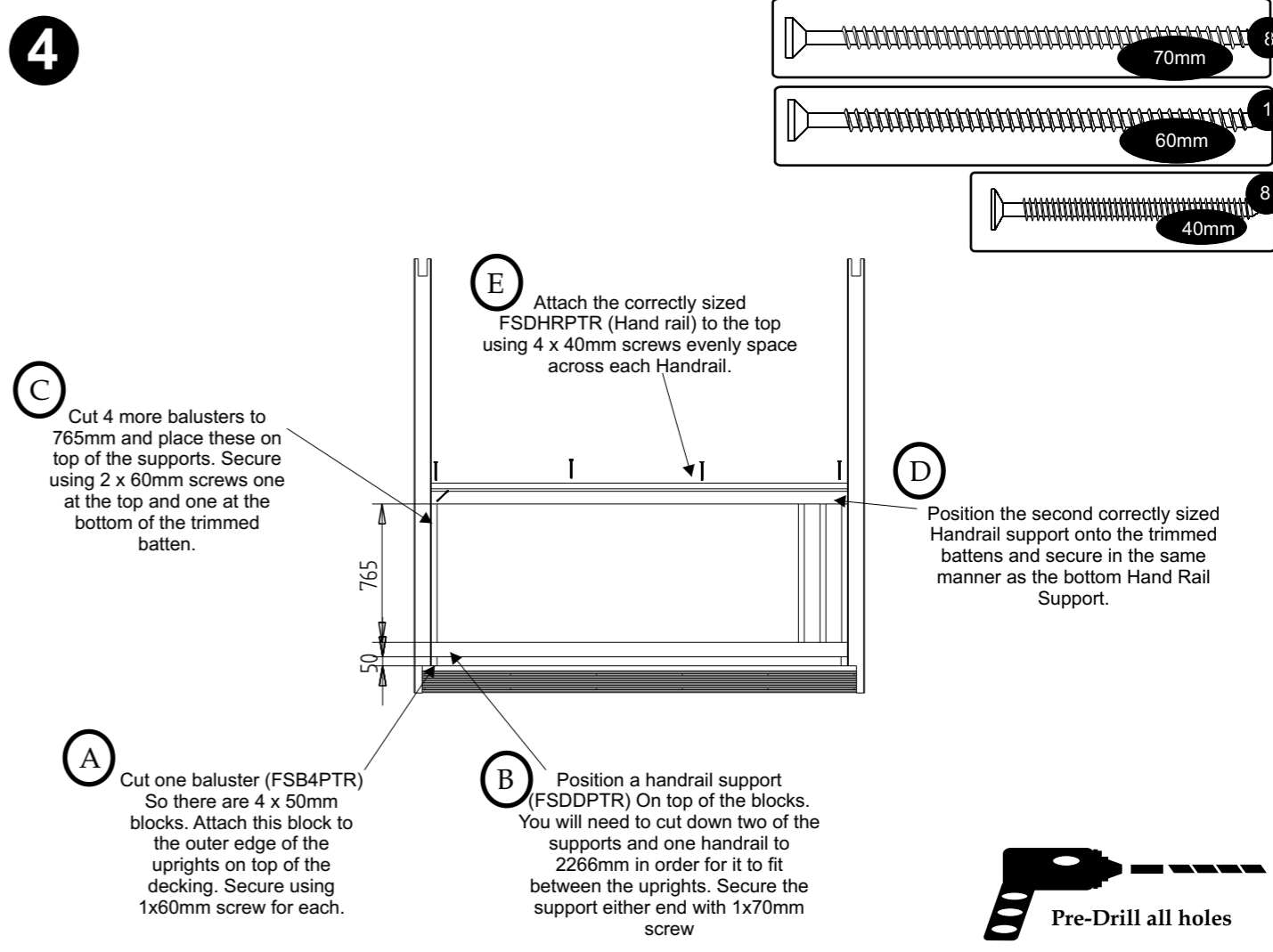
Place two PATDB1PTR (Deck Boards) flush with either end as shown and secure in place using 60mm screws. Use 2x60mm screws, screwing into each of the 6 x PATDB1PTR deck boards underneath. Once both ends have been done continue the process with the remaining PATDB1PTR (deck boards).

3



Position uprights (USU84BI) As shown on top of the boards to the outside edge of the deck. Secure using 100mm bolts.

4



**A** Cut one baluster (FSB4PTR) So there are 4 x 50mm blocks. Attach this block to the outer edge of the uprights on top of the decking. Secure using 1x60mm screw for each.

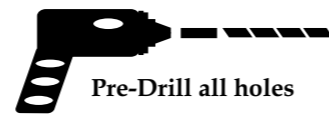
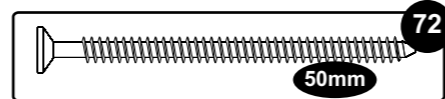
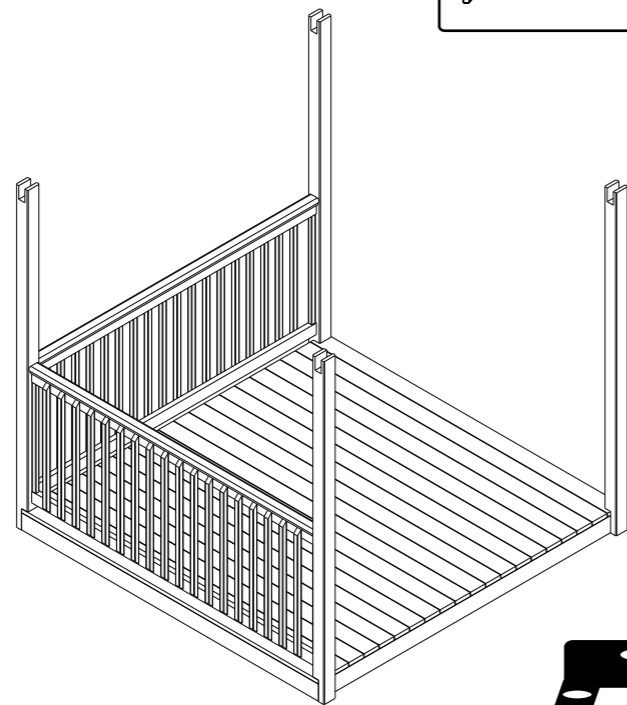
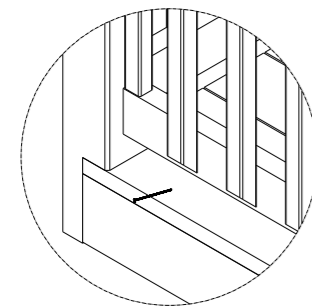
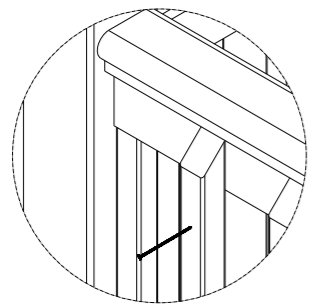
**B** Position a handrail support (FSDPTR) On top of the blocks. You will need to cut down two of the supports and one handrail to 2266mm in order for it to fit between the uprights. Secure the support either end with 1x70mm screw

**C** Cut 4 more balusters to 765mm and place these on top of the supports. Secure using 2 x 60mm screws one at the top and one at the bottom of the trimmed batten.

**E** Attach the correctly sized FSDHRPTR (Hand rail) to the top using 4 x 40mm screws evenly space across each Handrail.

**D** Position the second correctly sized Handrail support onto the trimmed battens and secure in the same manner as the bottom Hand Rail Support.

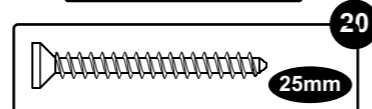
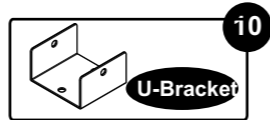
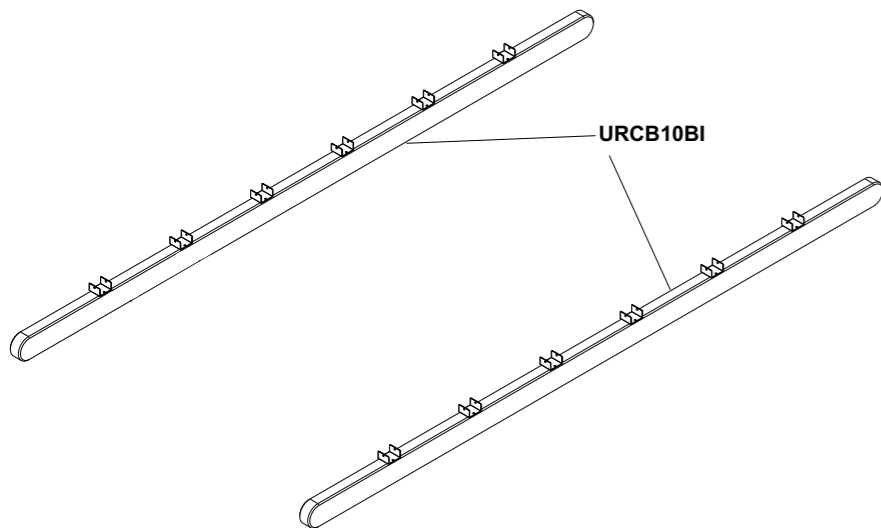
5



Attach the remaining Balusters (FSB4PTR) Evenly across each Handrail assembly. Secure using 1x50mm screw top and bottom.

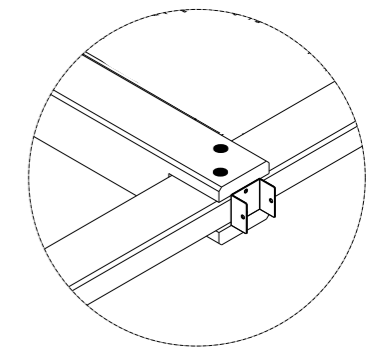
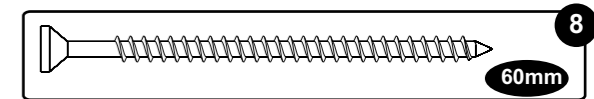
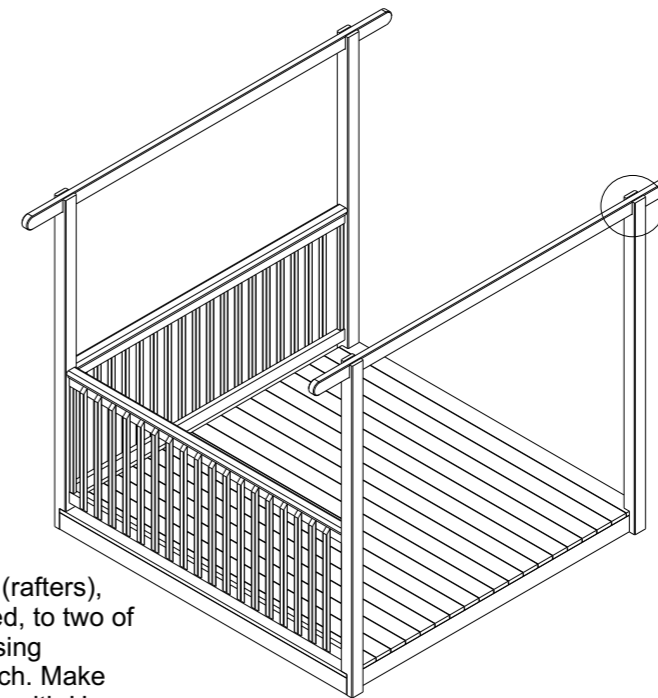
**REPEAT THIS PROCESS FOR ALL THE FSBPTR (BALUSTERS)**

6



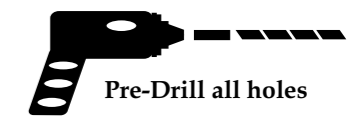
Space out the (10) u-brackets evenly along the **URCB10BI** (rafters) at 362mm. Secure in place using 2x25mm screws

7

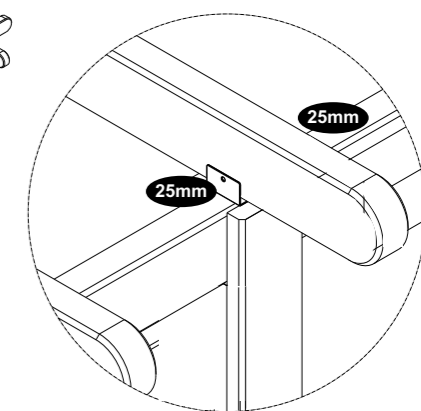
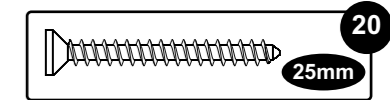
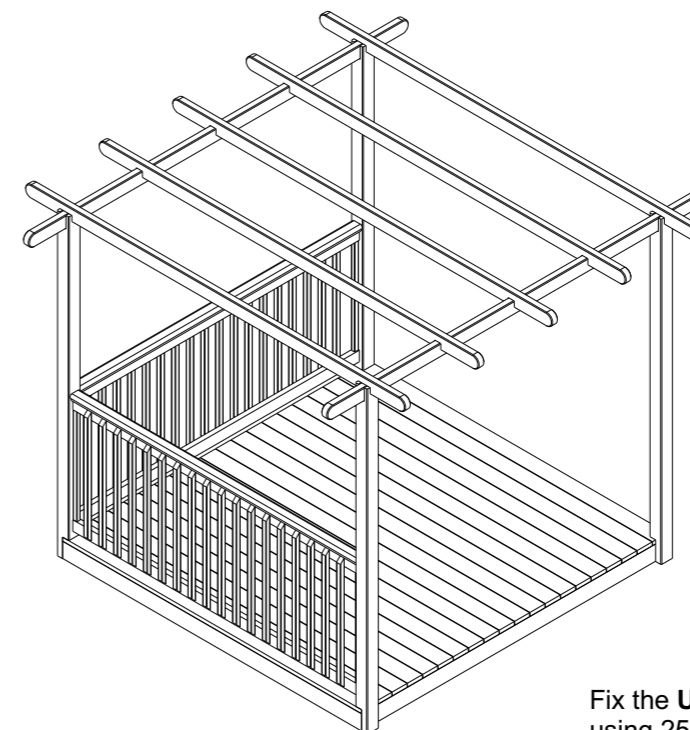


Secure the **URCB10BI** (rafters), with U-brackets attached, to two of the **USU84BI** (posts) using 2x60mm Screws for each. Make sure the post is lined up with U-bracket as shown

**Repeat the procedure for the other rafter**



8



Fix the **URCB10BI** (rafters) in place using 25mm screws to fix the rafter to the brackets