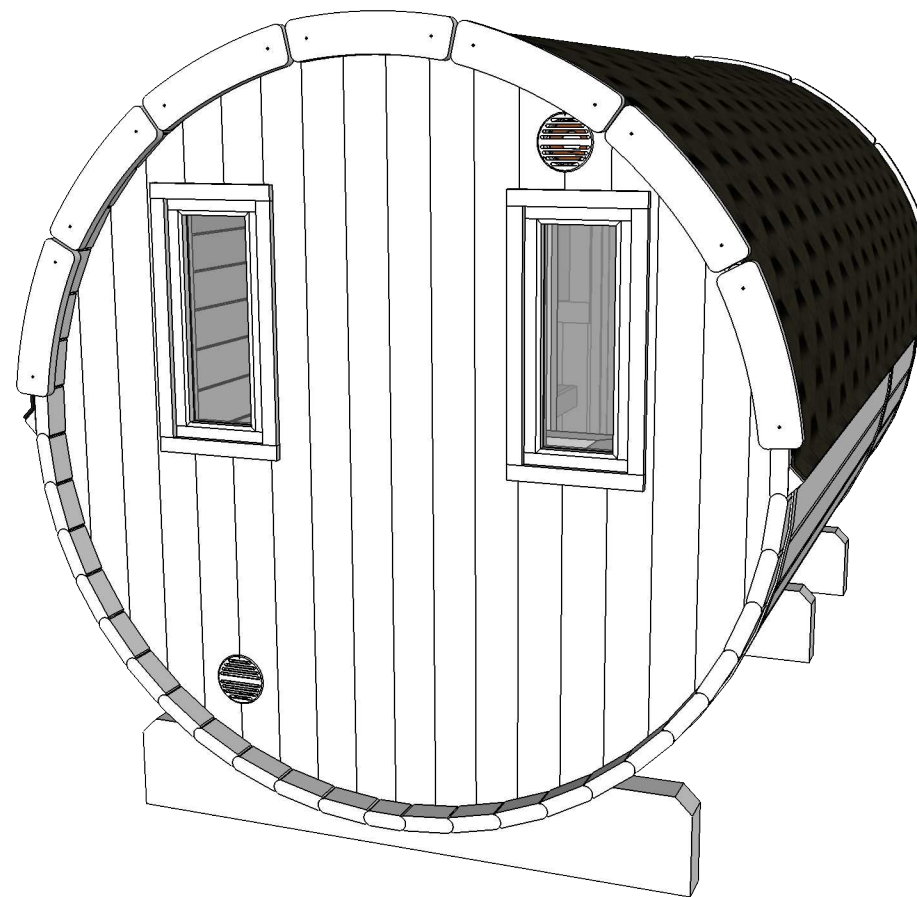
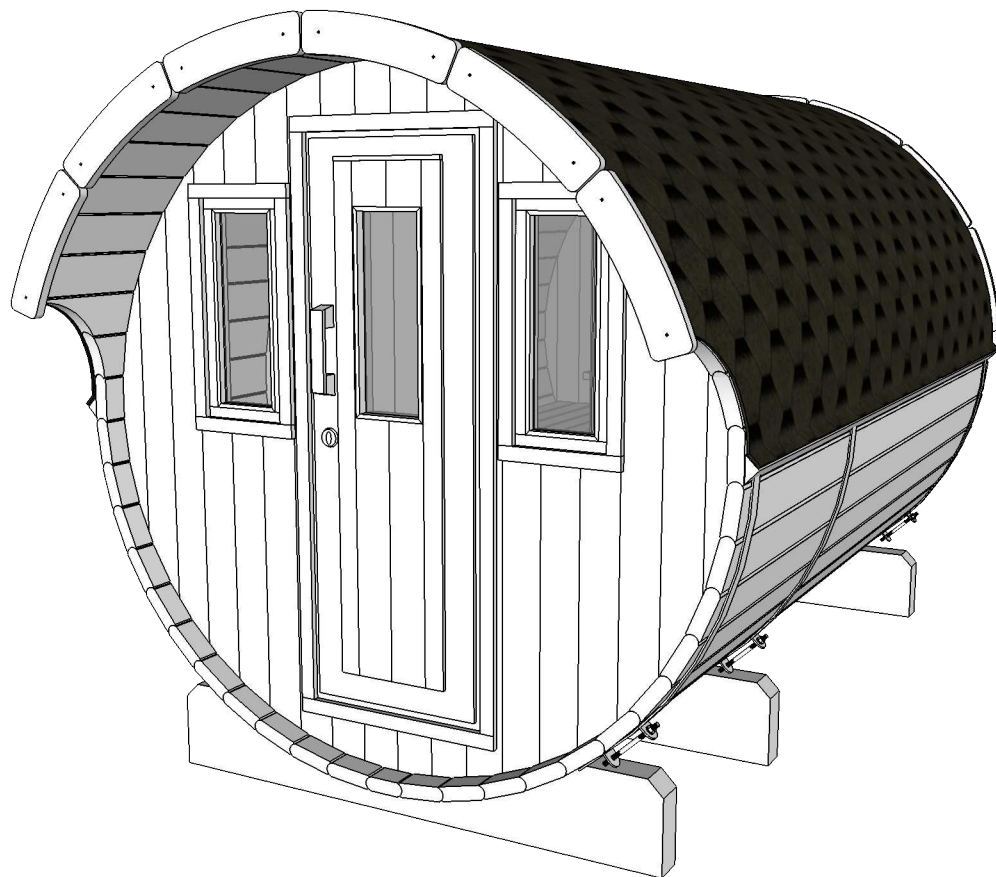
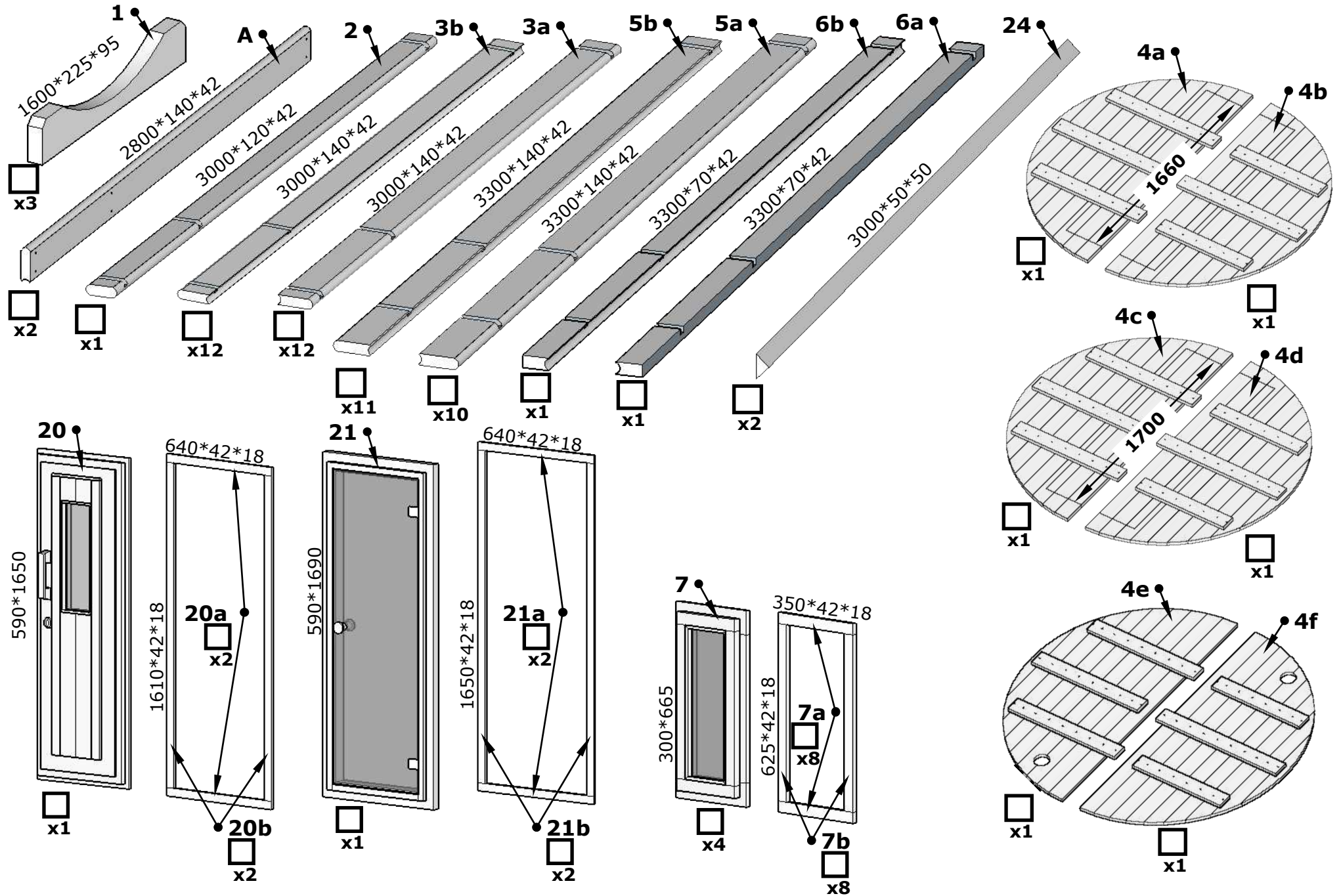


Sauna 330, D 200 (EM 007)



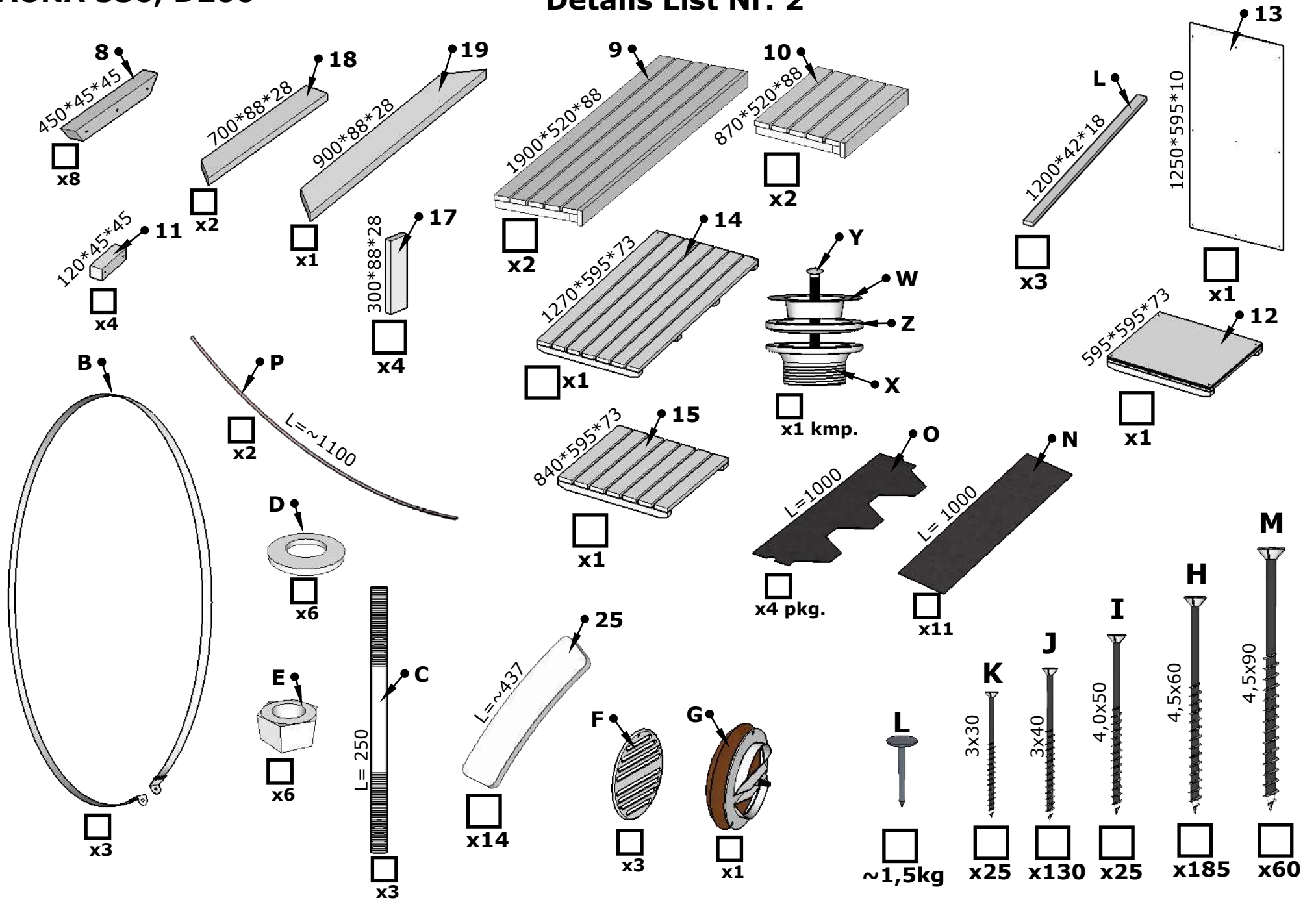
SAUNA 330, D200

Details List Nr. 1

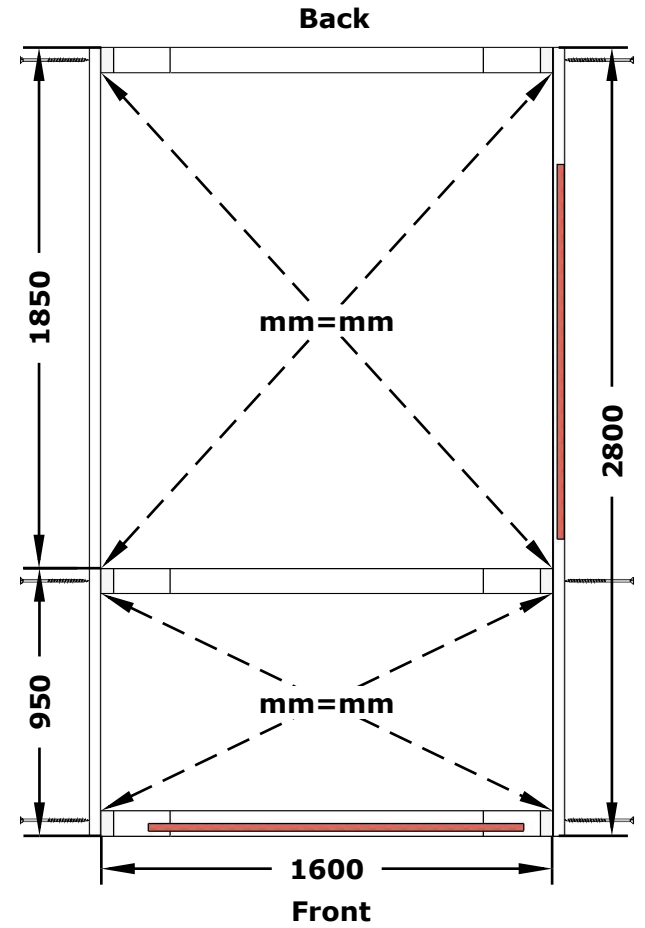
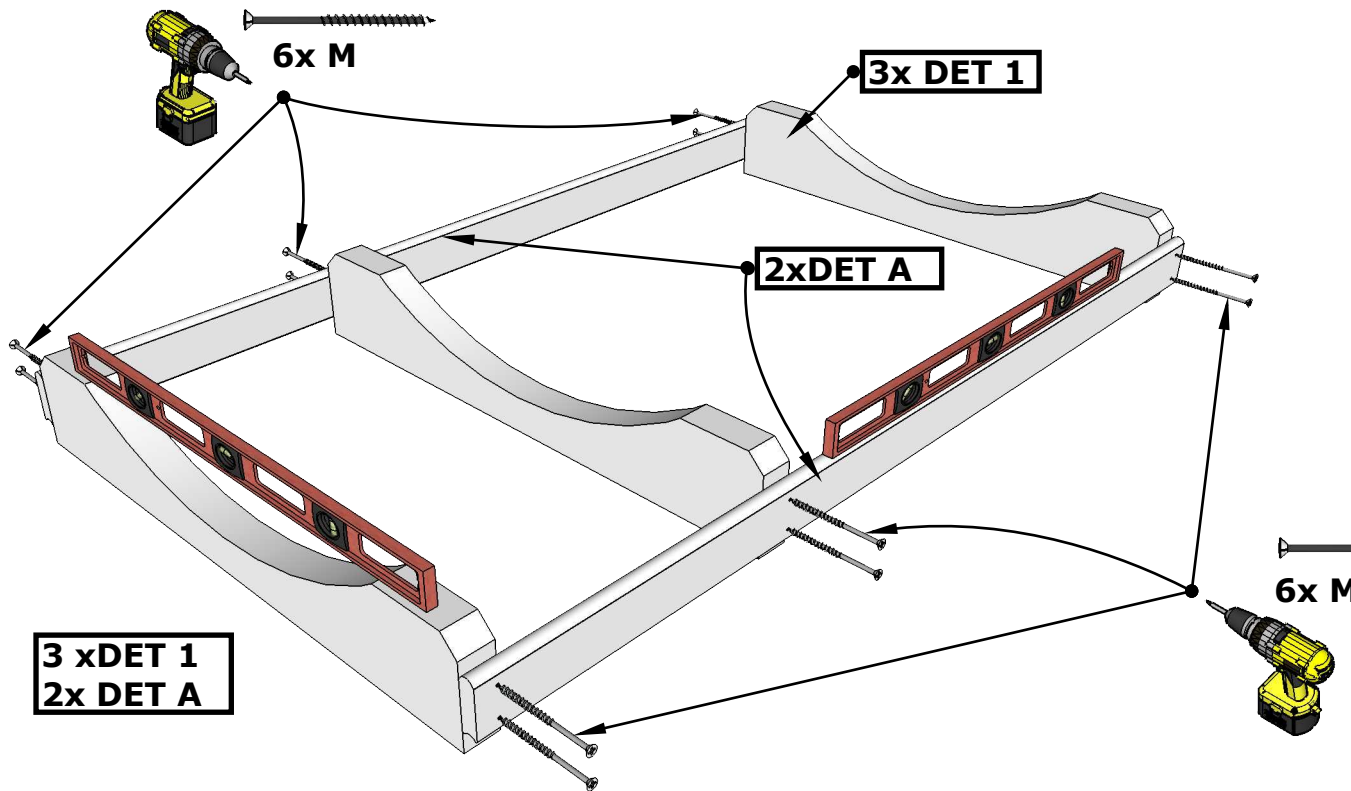
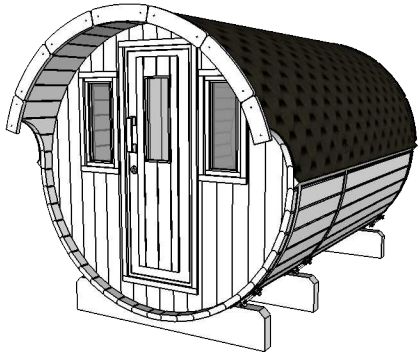


SAUNA 330, D200

Details List Nr. 2

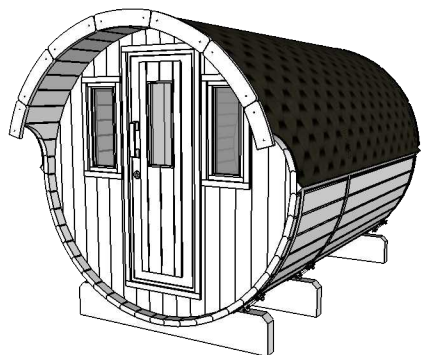


Sauna 330, D200

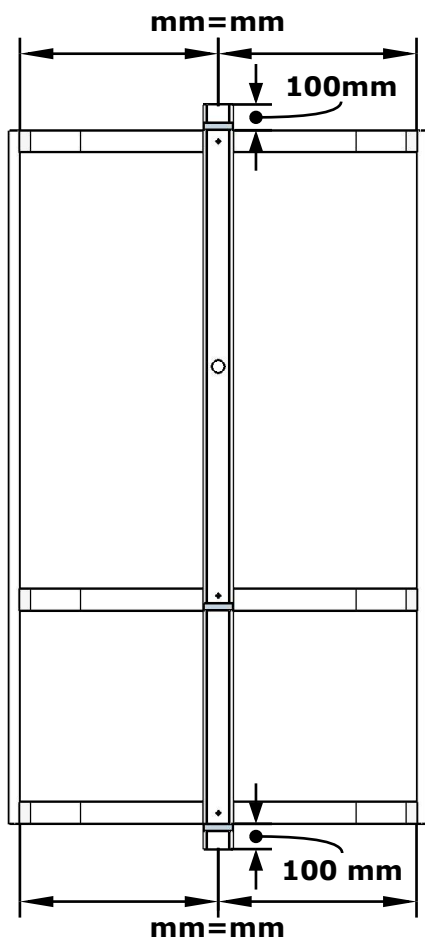
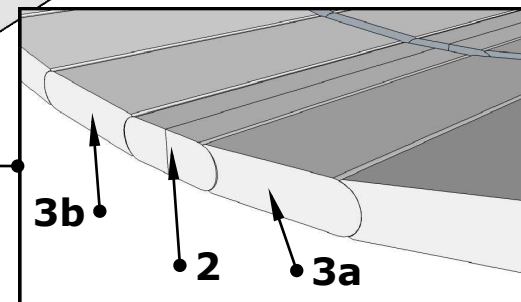
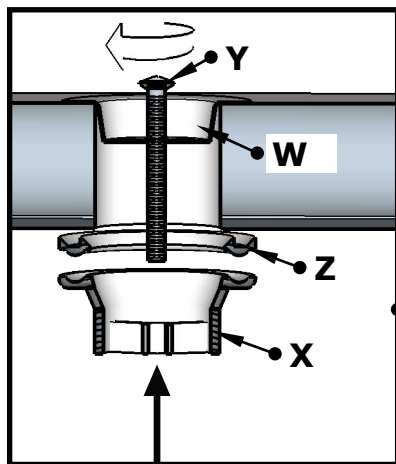
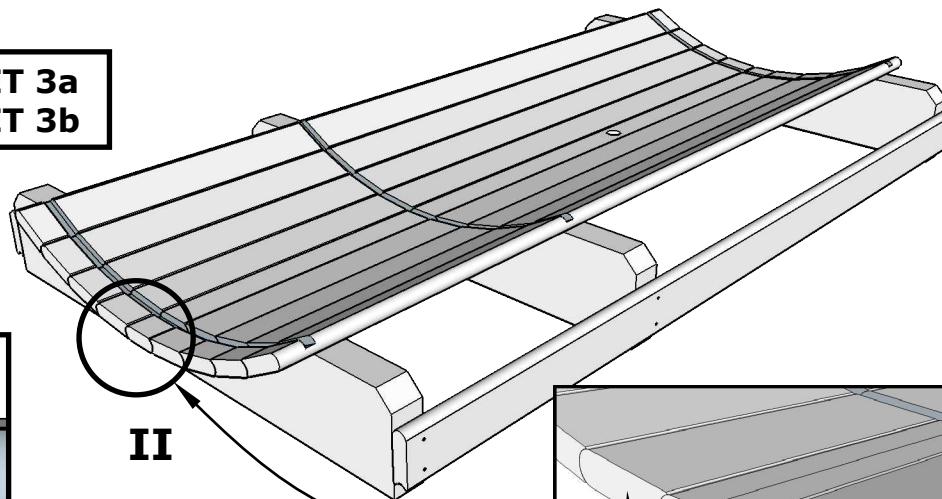


1.

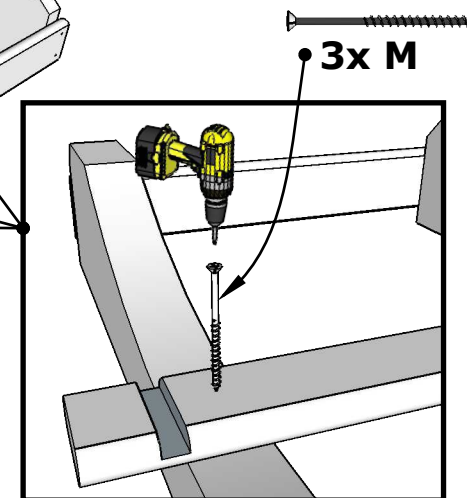
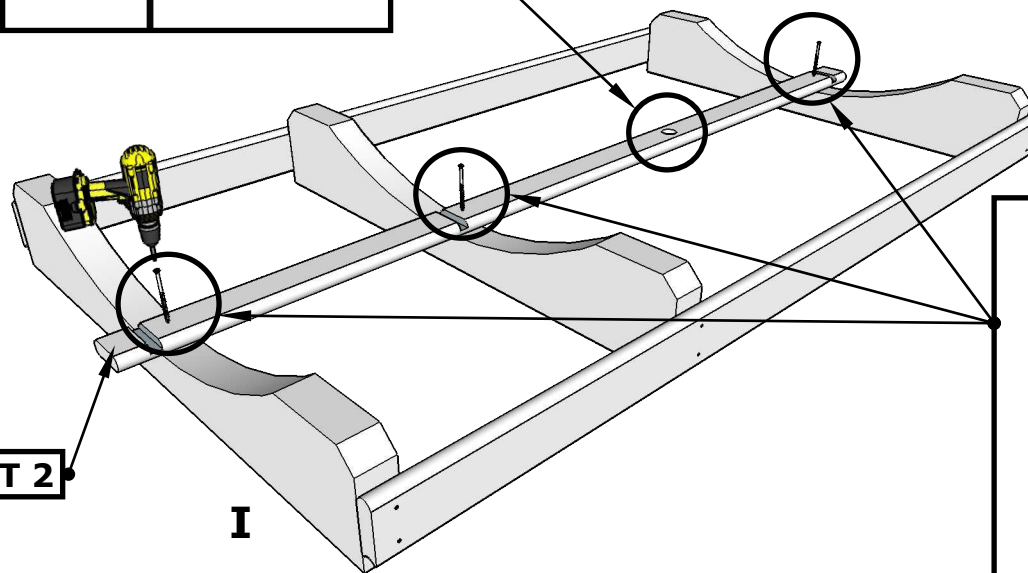
Sauna 330, D200



4 x DET 3a
4 x DET 3b

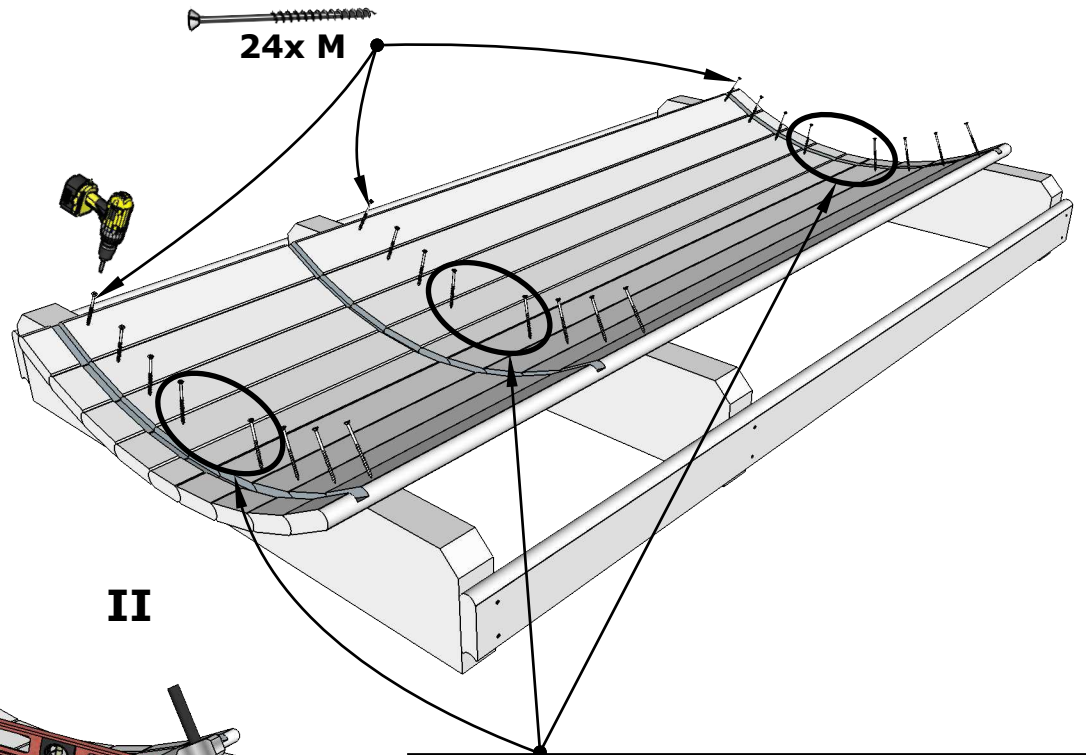


1x DET 2

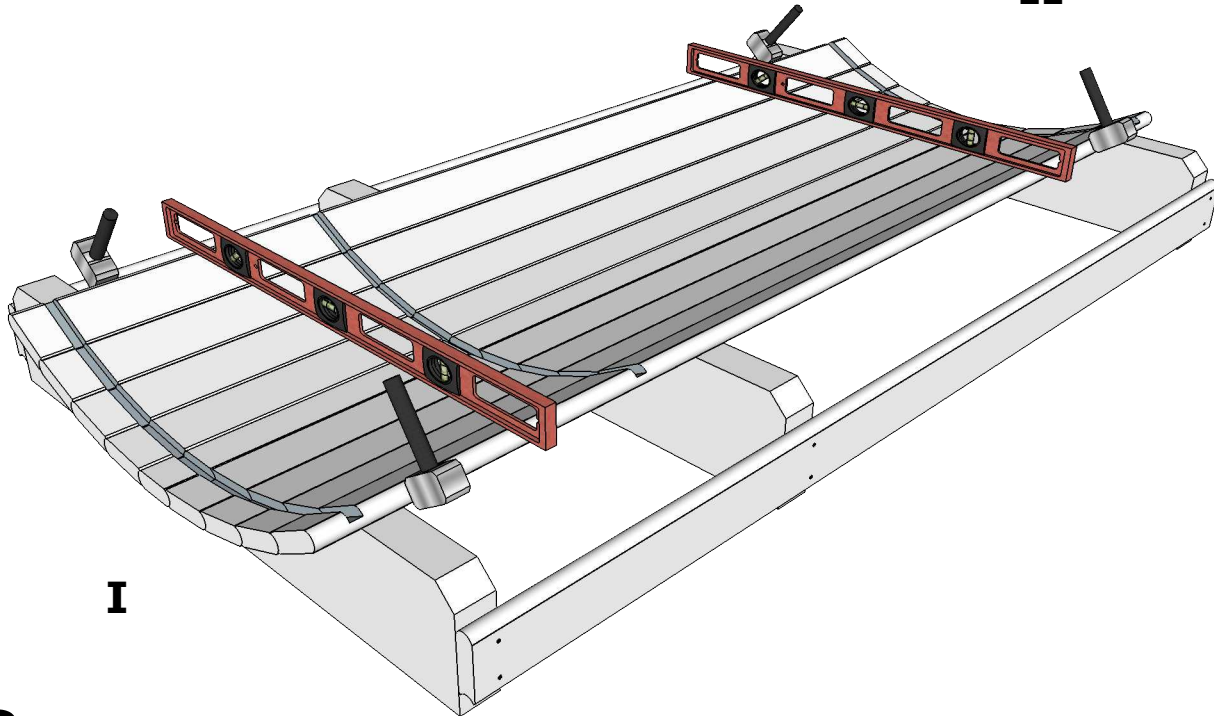


2.

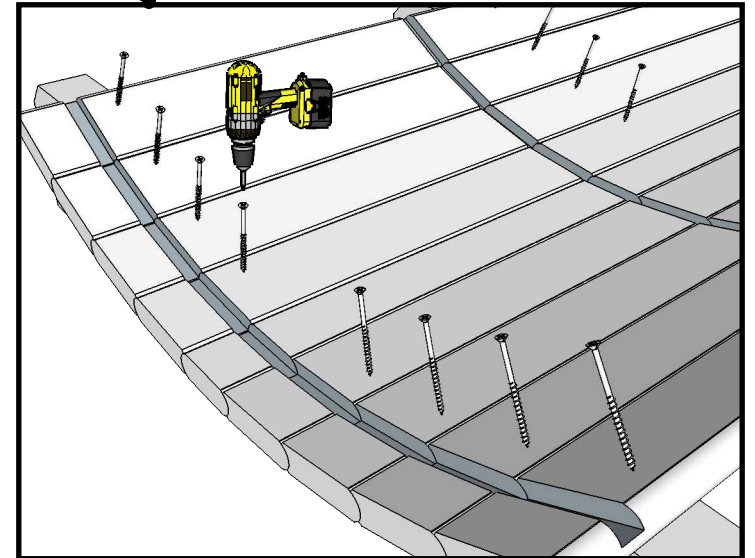
Sauna 330, D200



II

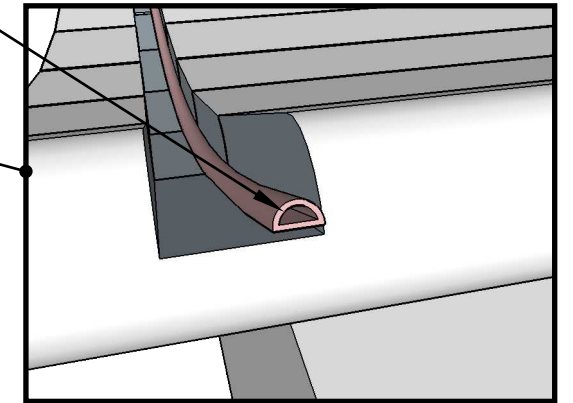
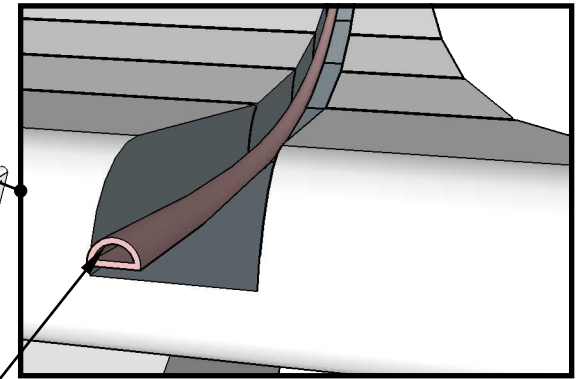
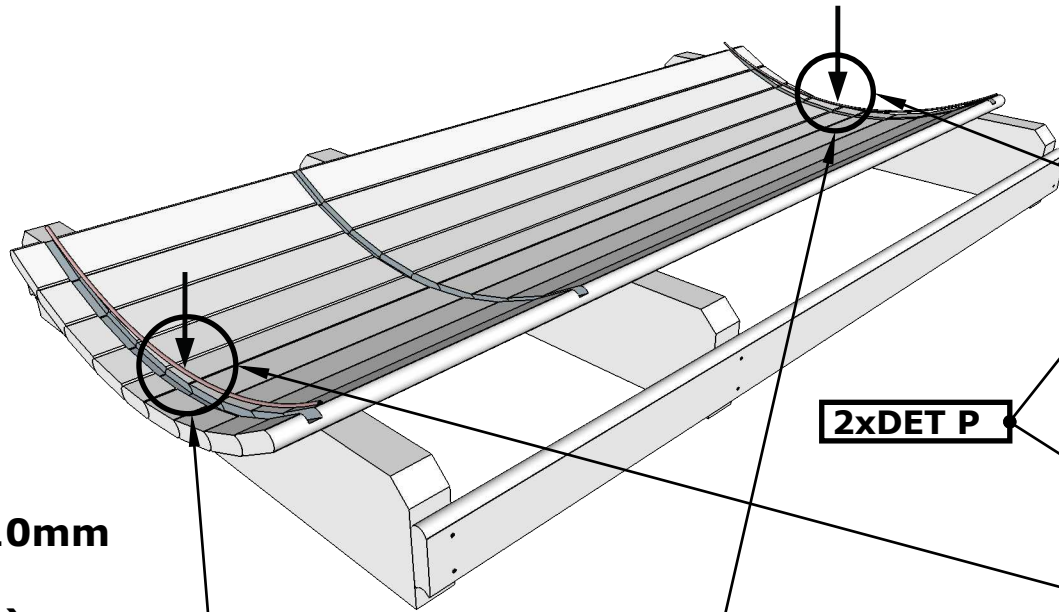
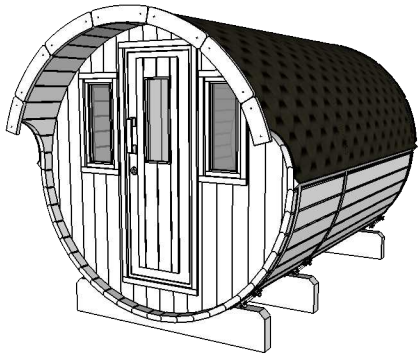


I



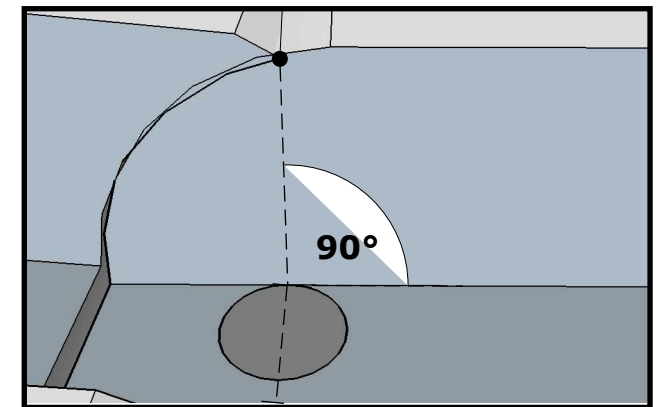
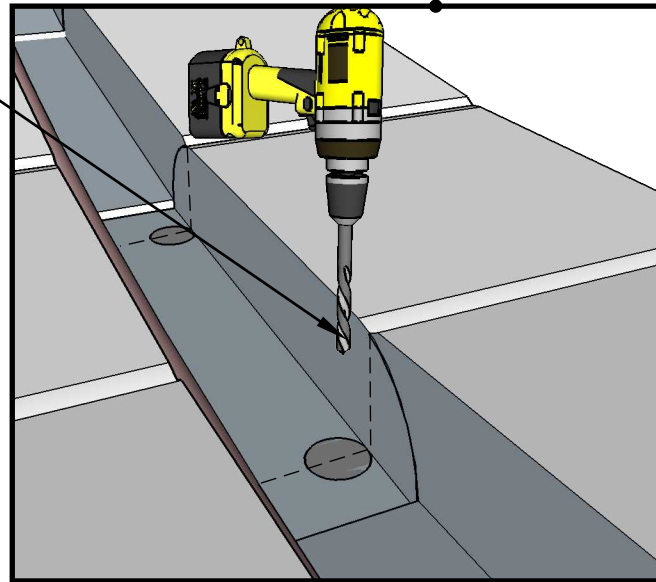
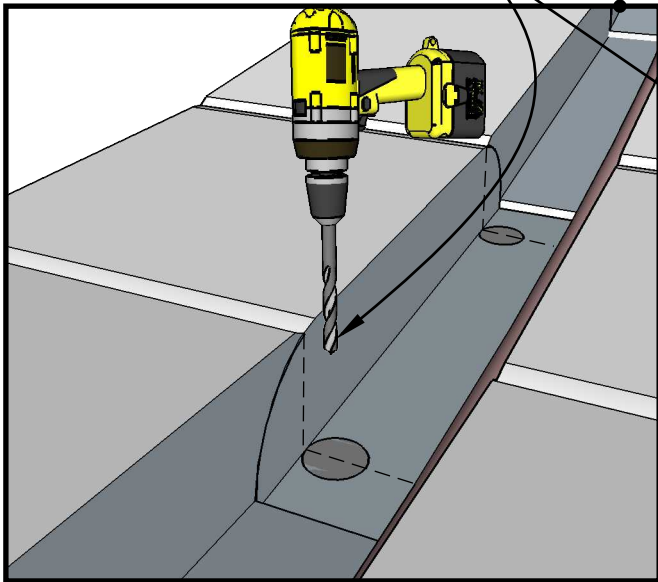
3.

Sauna 330, D200



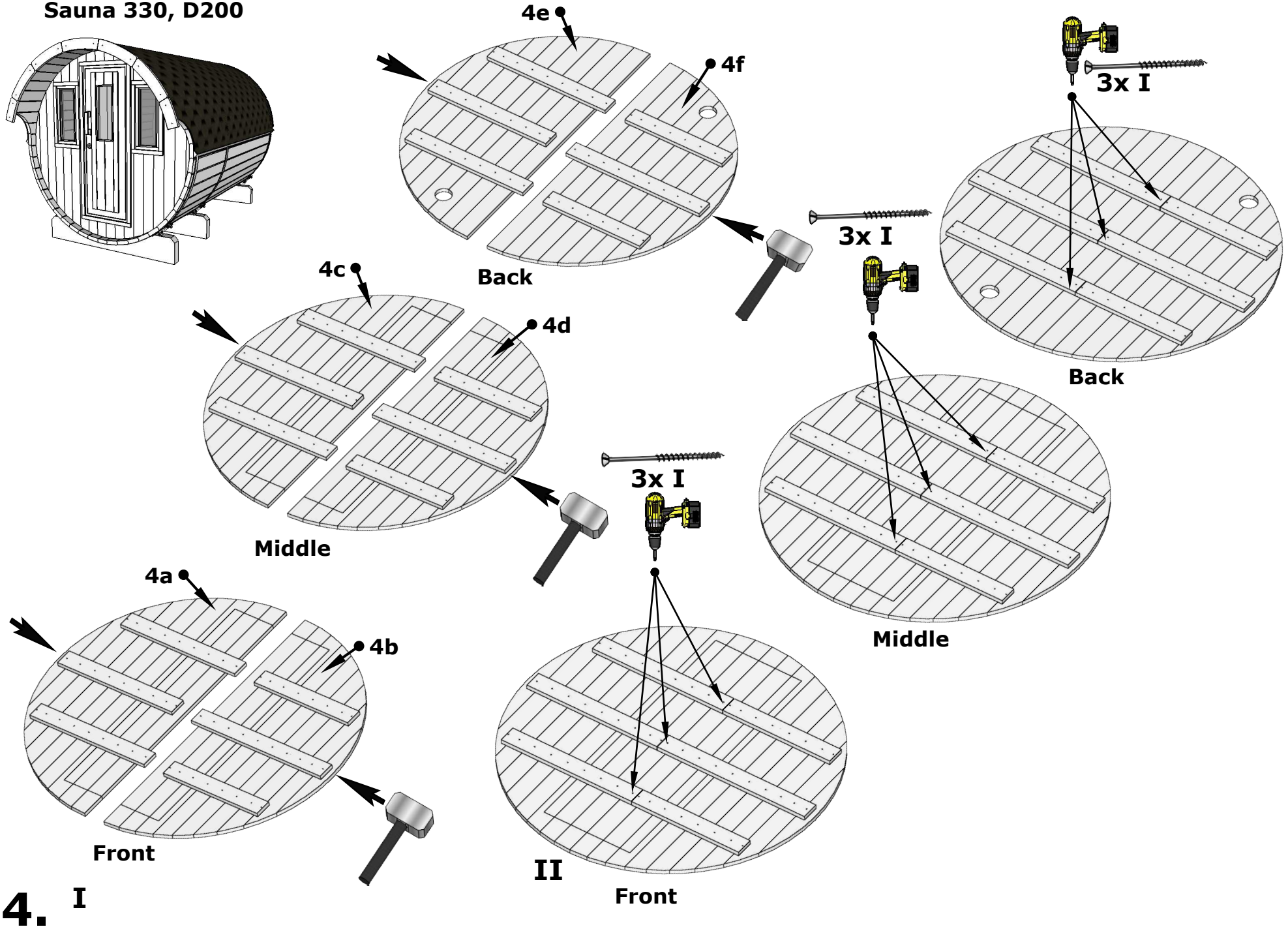
Drill 4 holes $\text{\O}10\text{mm}$
into DET 2
(2 on each side)

2xDET P

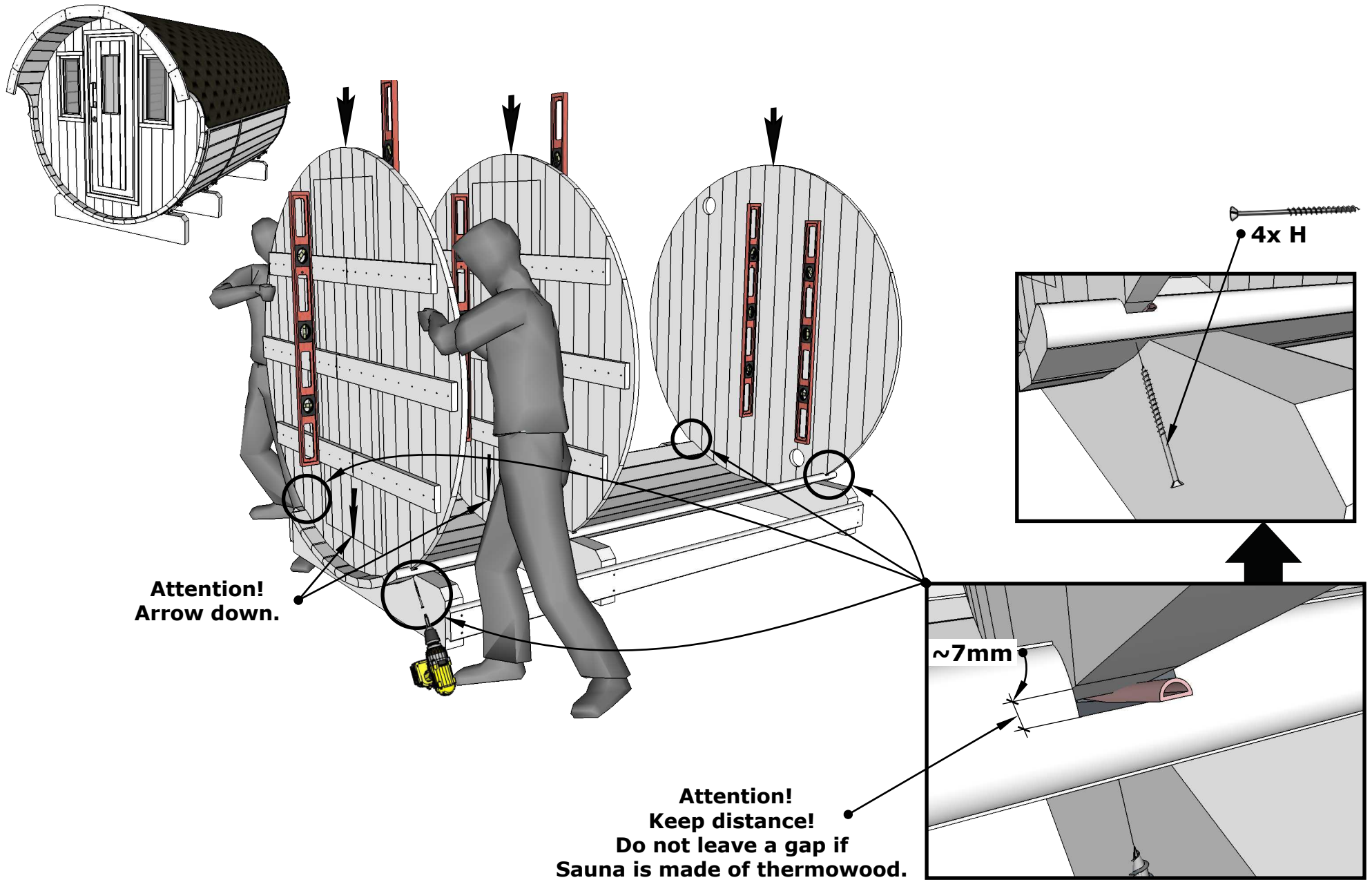


3A.

Sauna 330, D200

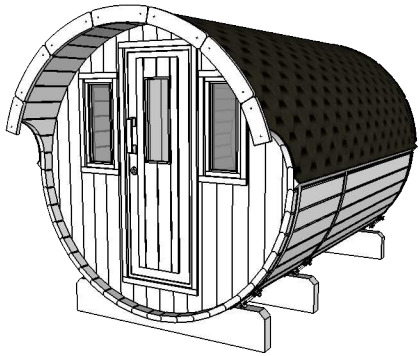


Sauna 330, D200

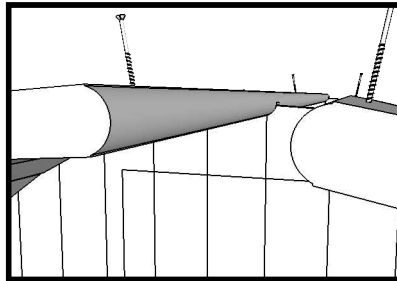


5.

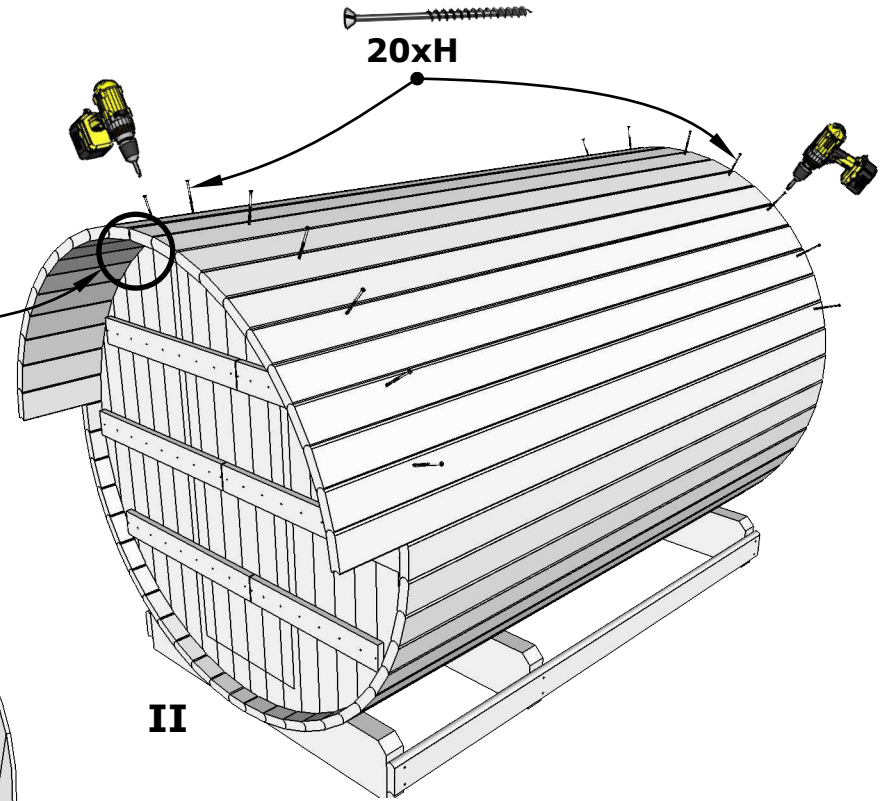
Sauna 330, D200



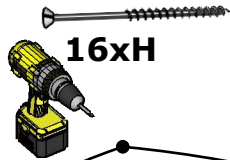
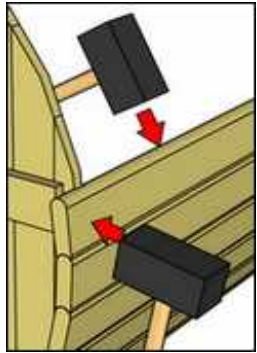
Watch page 6A



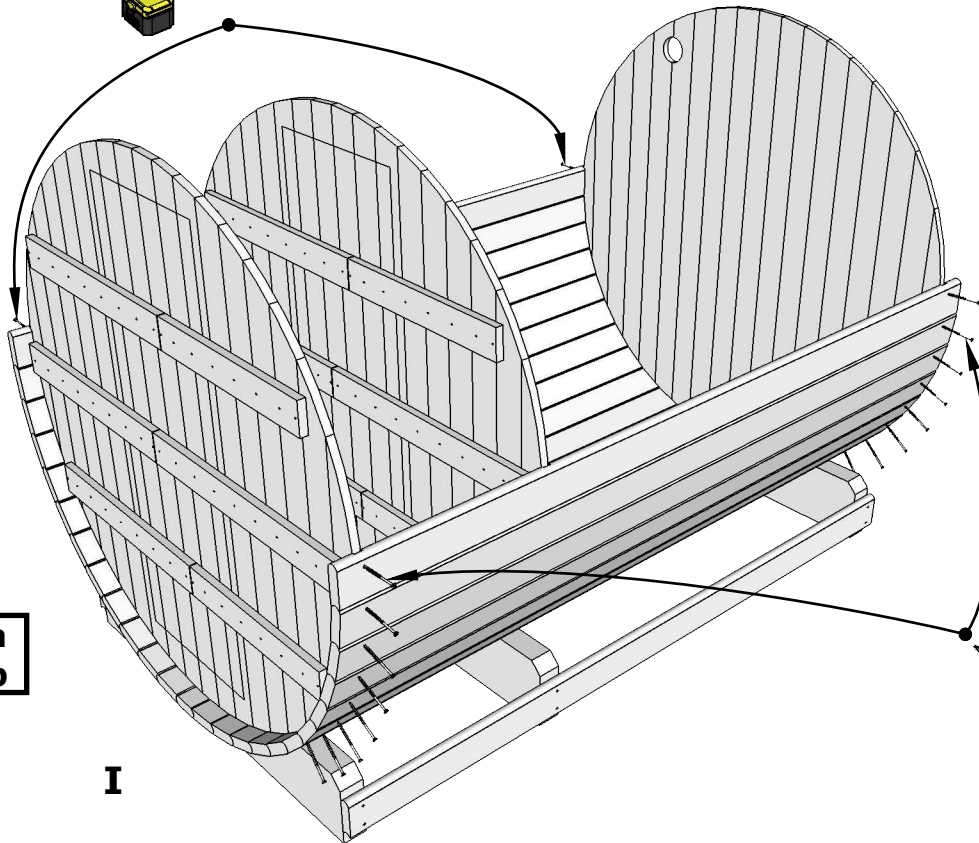
11x DET 5b
10x DET 5a



II



16xH



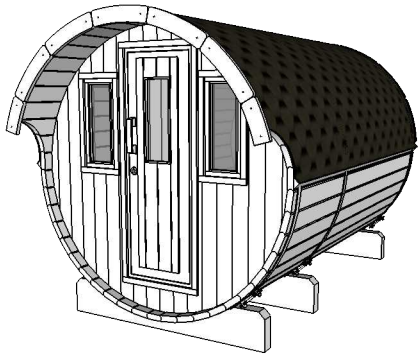
16xH

8x DET 3a
8x DET 3b

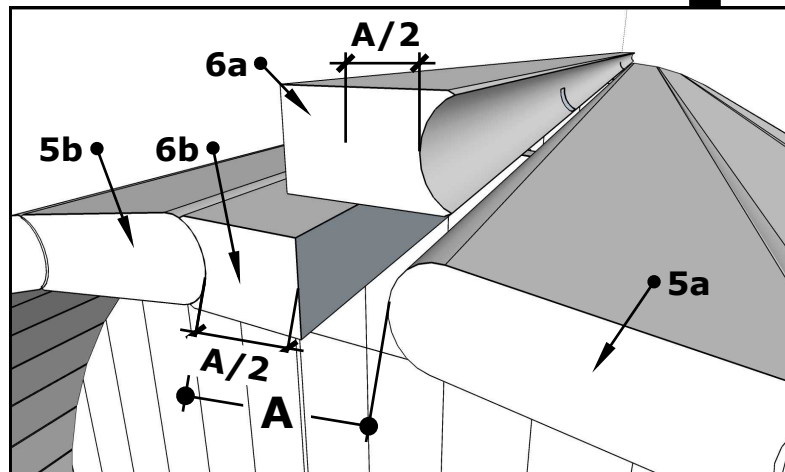
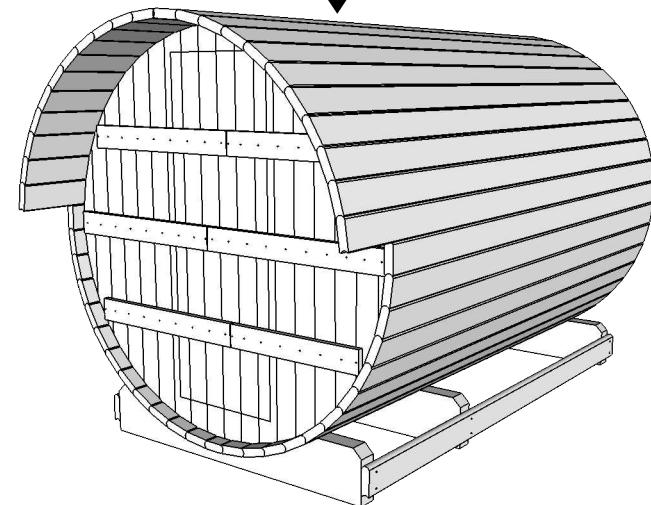
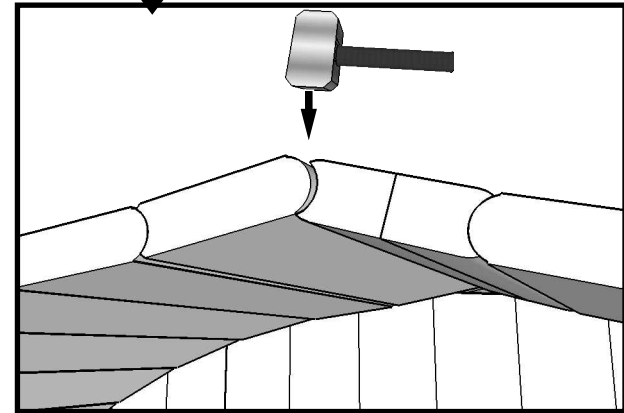
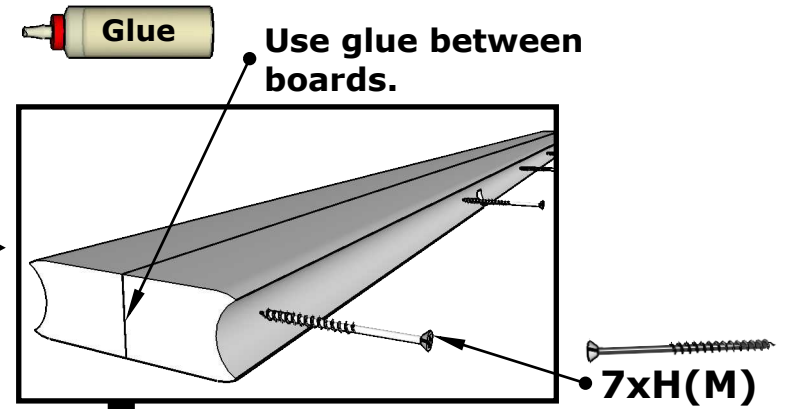
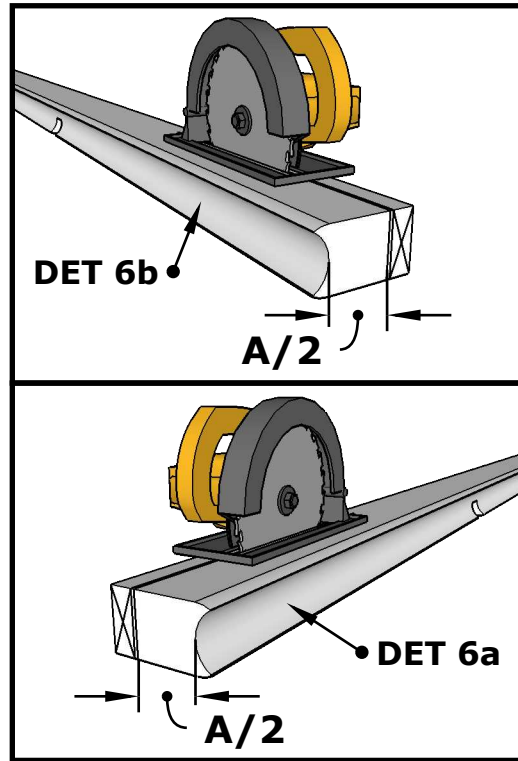
I

6.

Sauna 330, D200

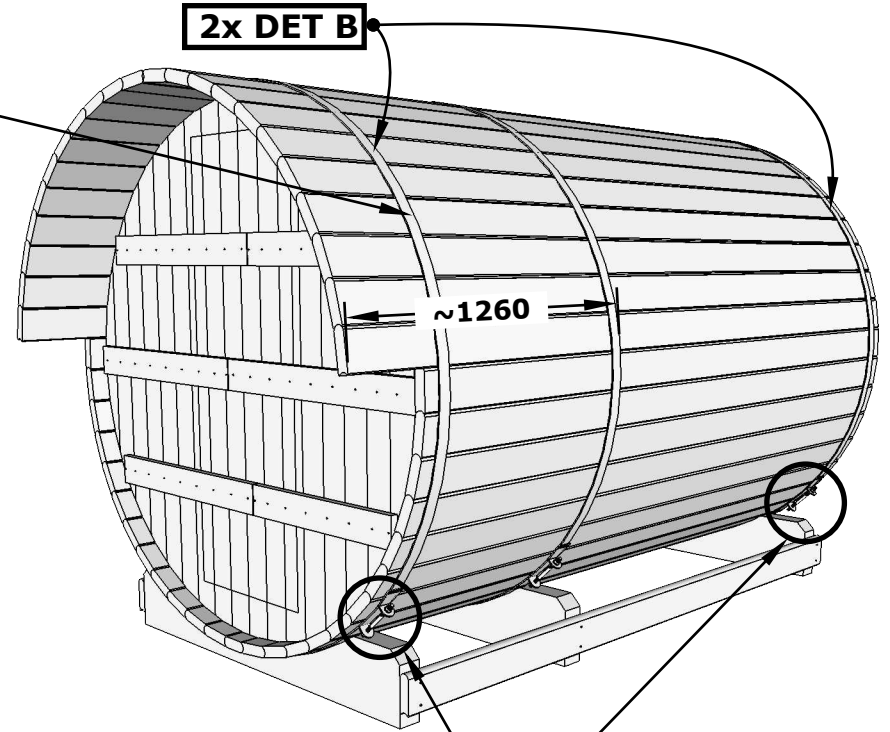
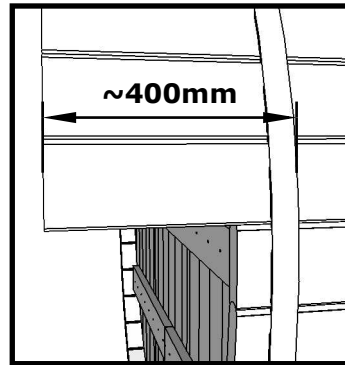
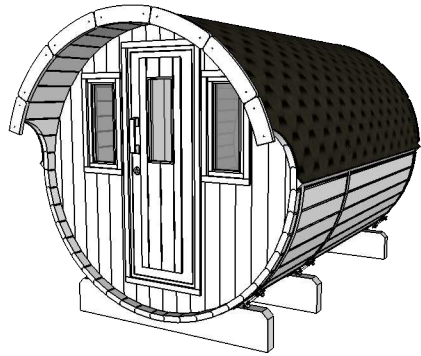


Attention!!!!



6A.

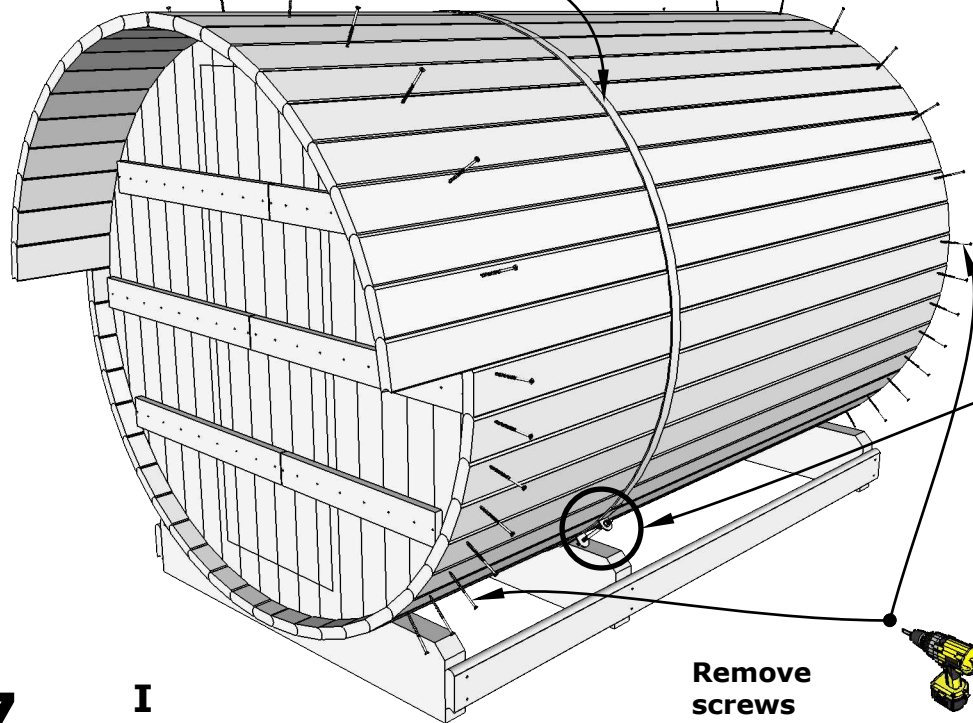
Sauna 330, D200



II

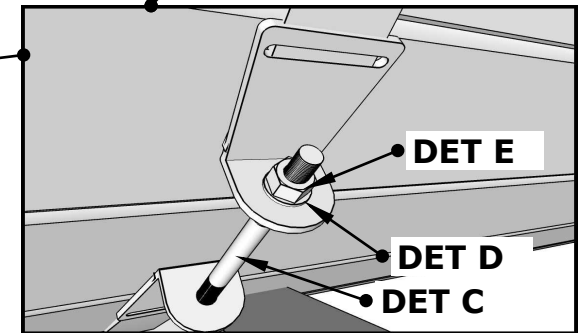
Remove screws

1x DET B

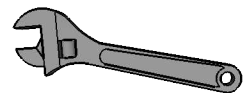


Remove screws

Attention! Do not remove screws, if sauna is made of thermowood.

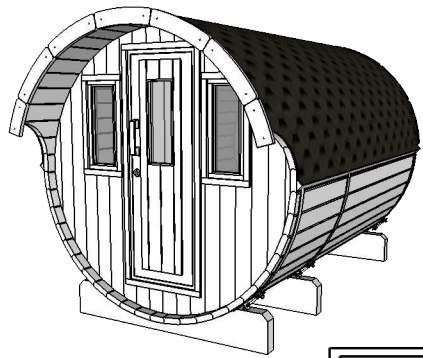


During assembly and retightening the threaded rods, use oil (Würth HPS 1400 or similar) to avoid "cold welding" and it is also easier tightening.

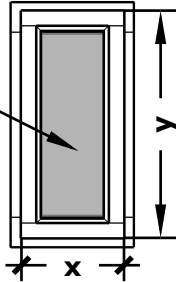


7. I

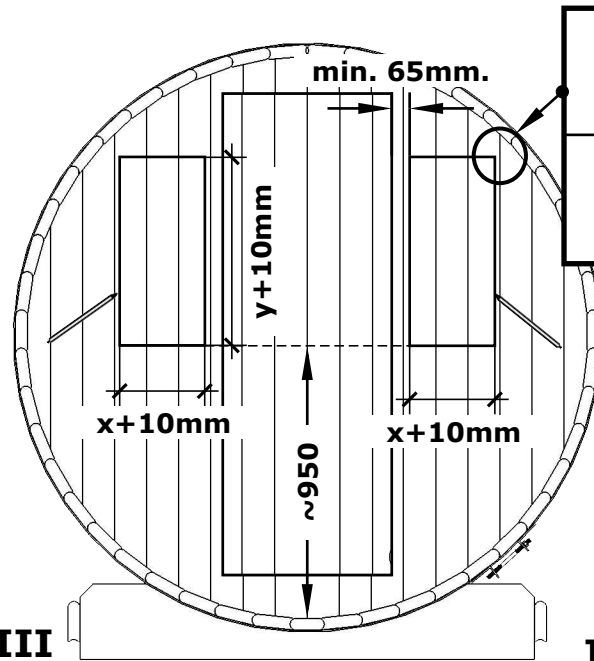
Sauna 330, D200



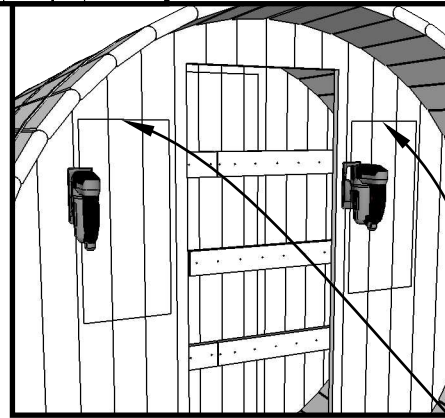
DET 7



III



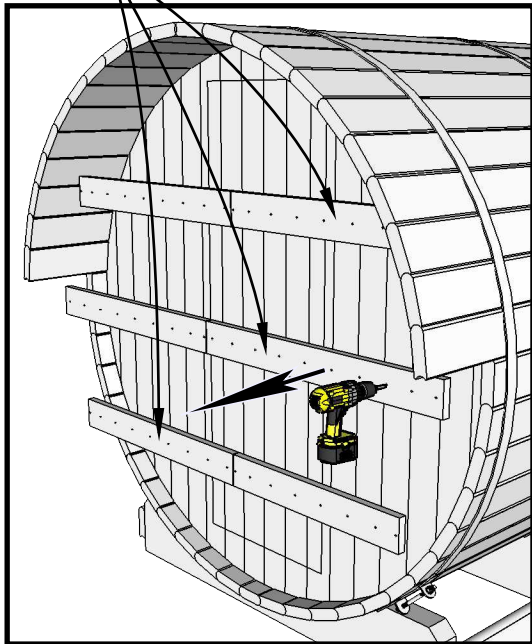
IV



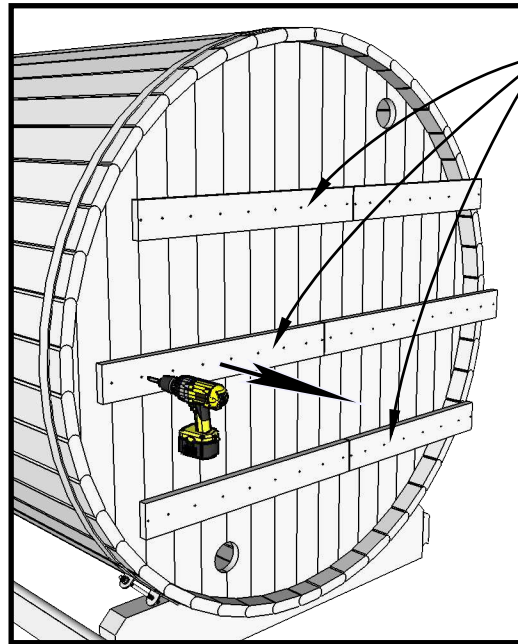
V

Follow the guidelines

Remove all brackets

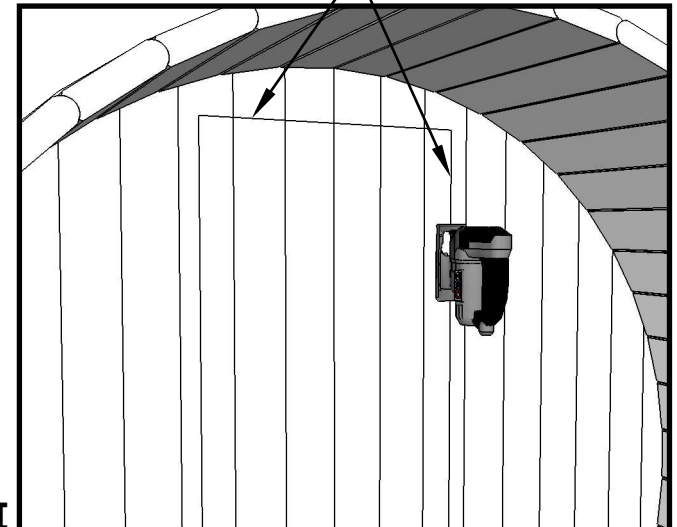


8. I

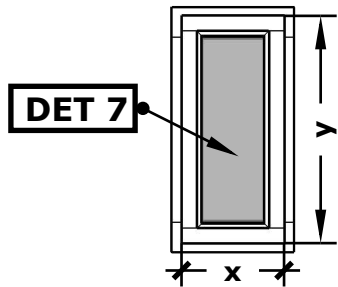
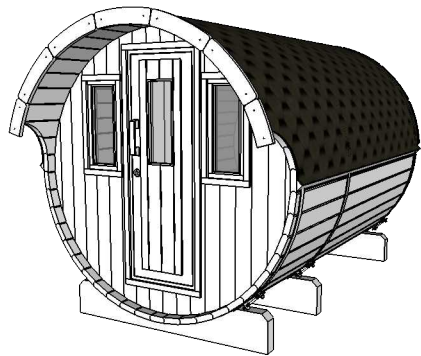


II

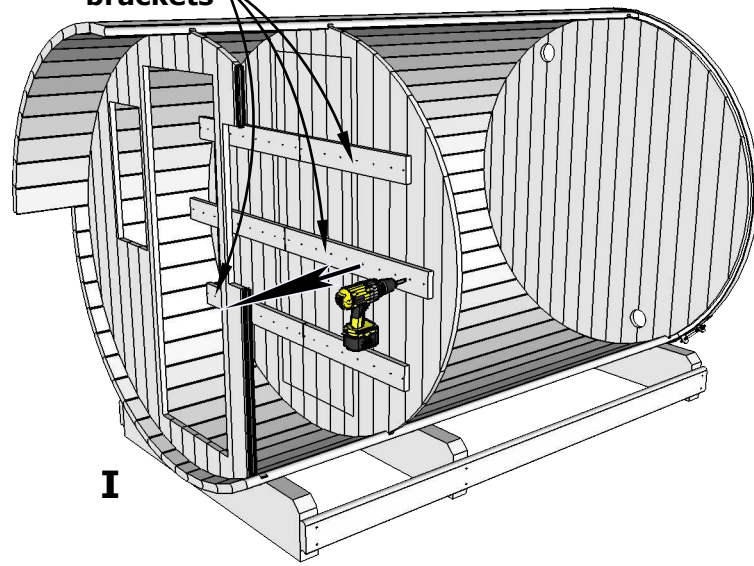
Remove all brackets



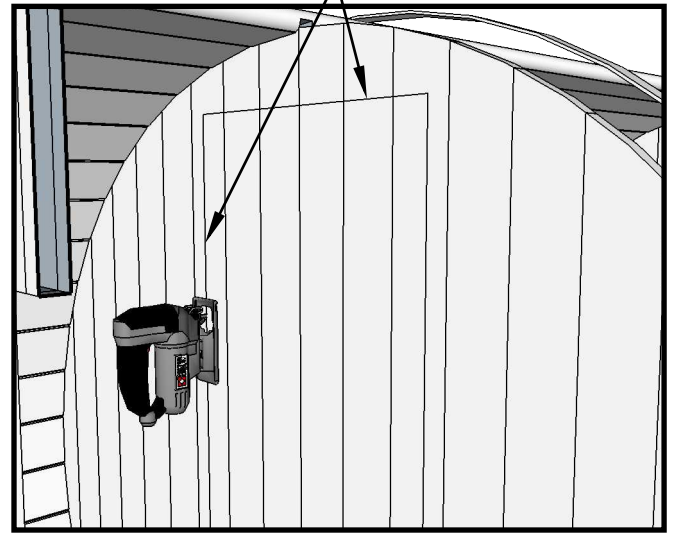
Sauna 330, D200



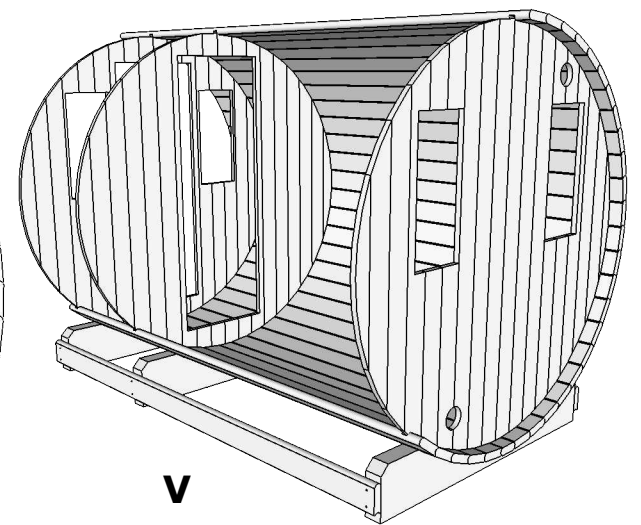
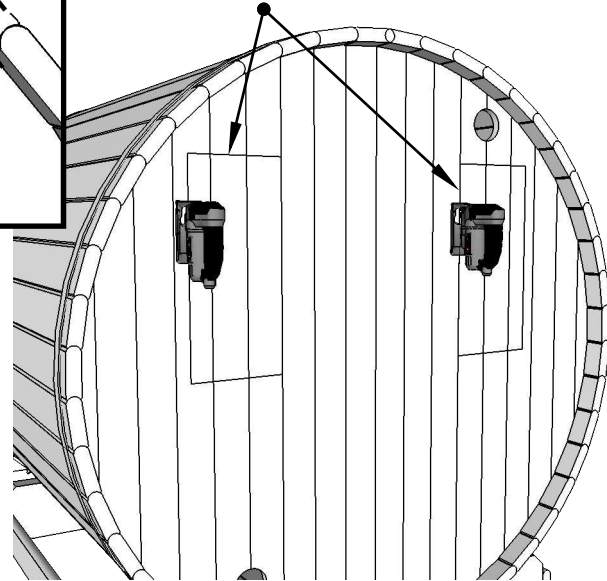
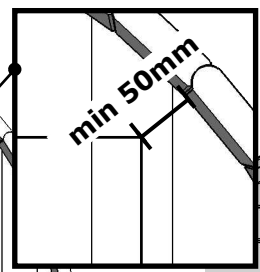
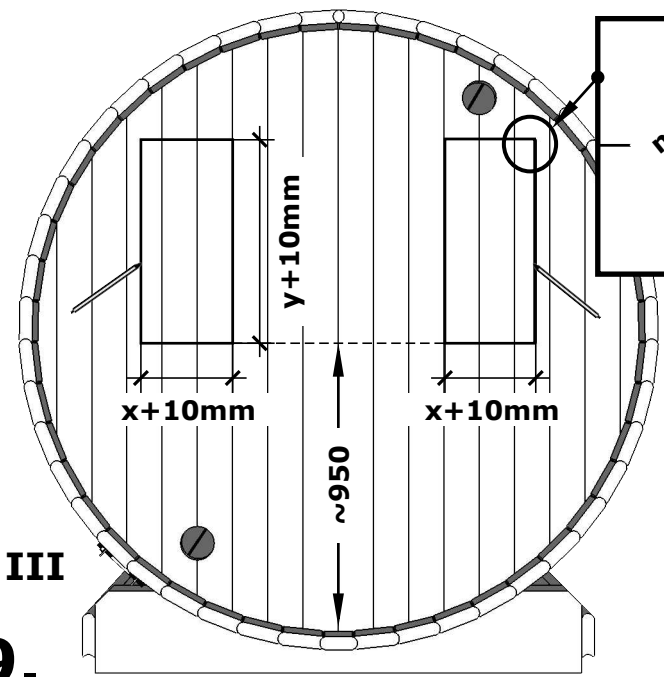
Remove all brackets



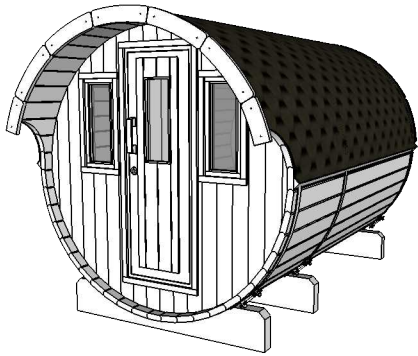
Follow the guidelines



Follow the guidelines

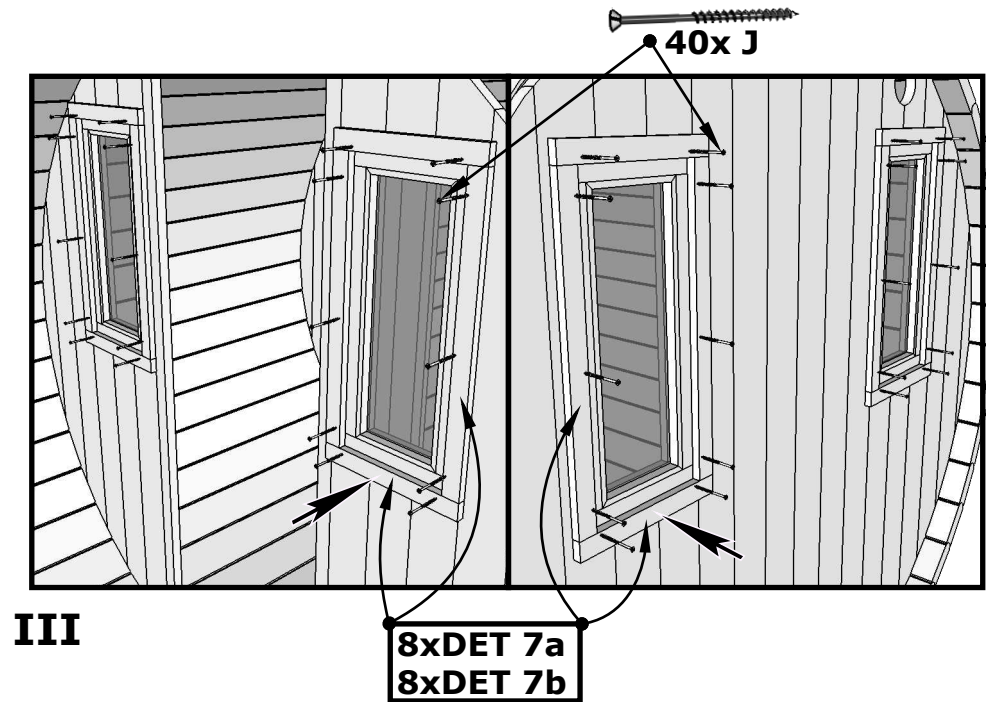
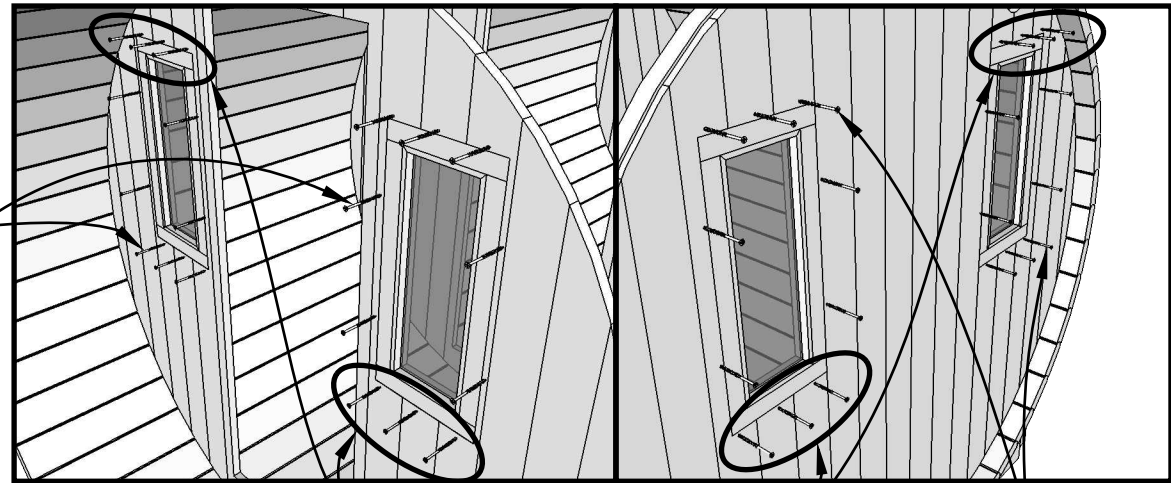
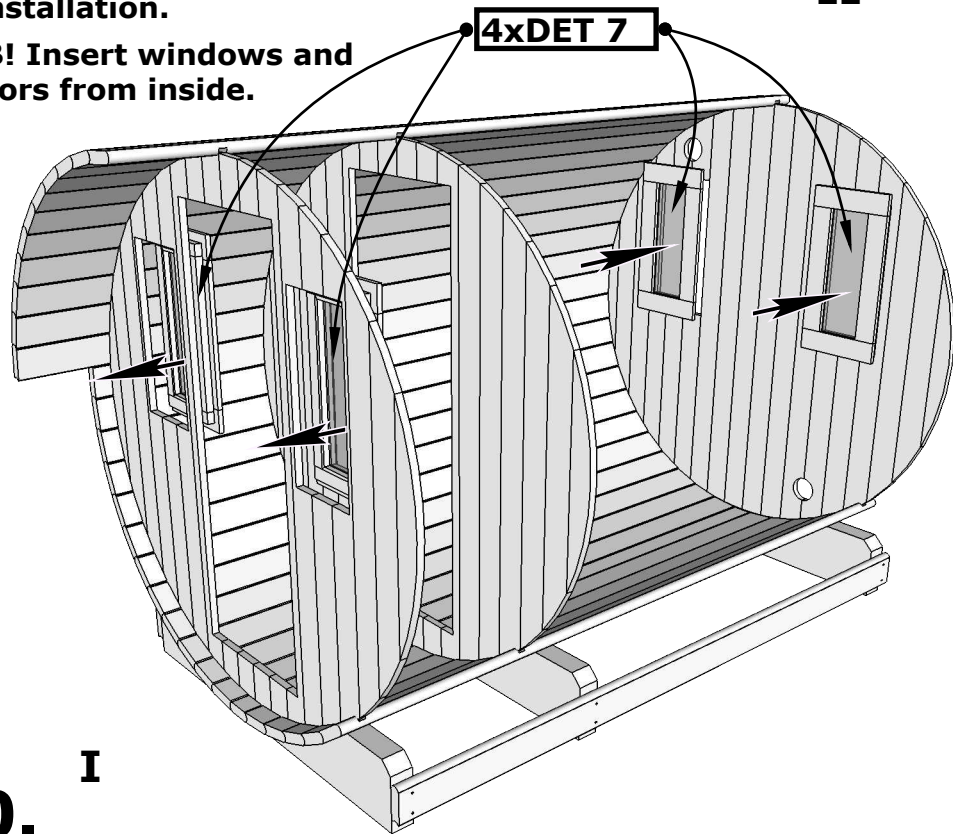


Sauna 330, D200

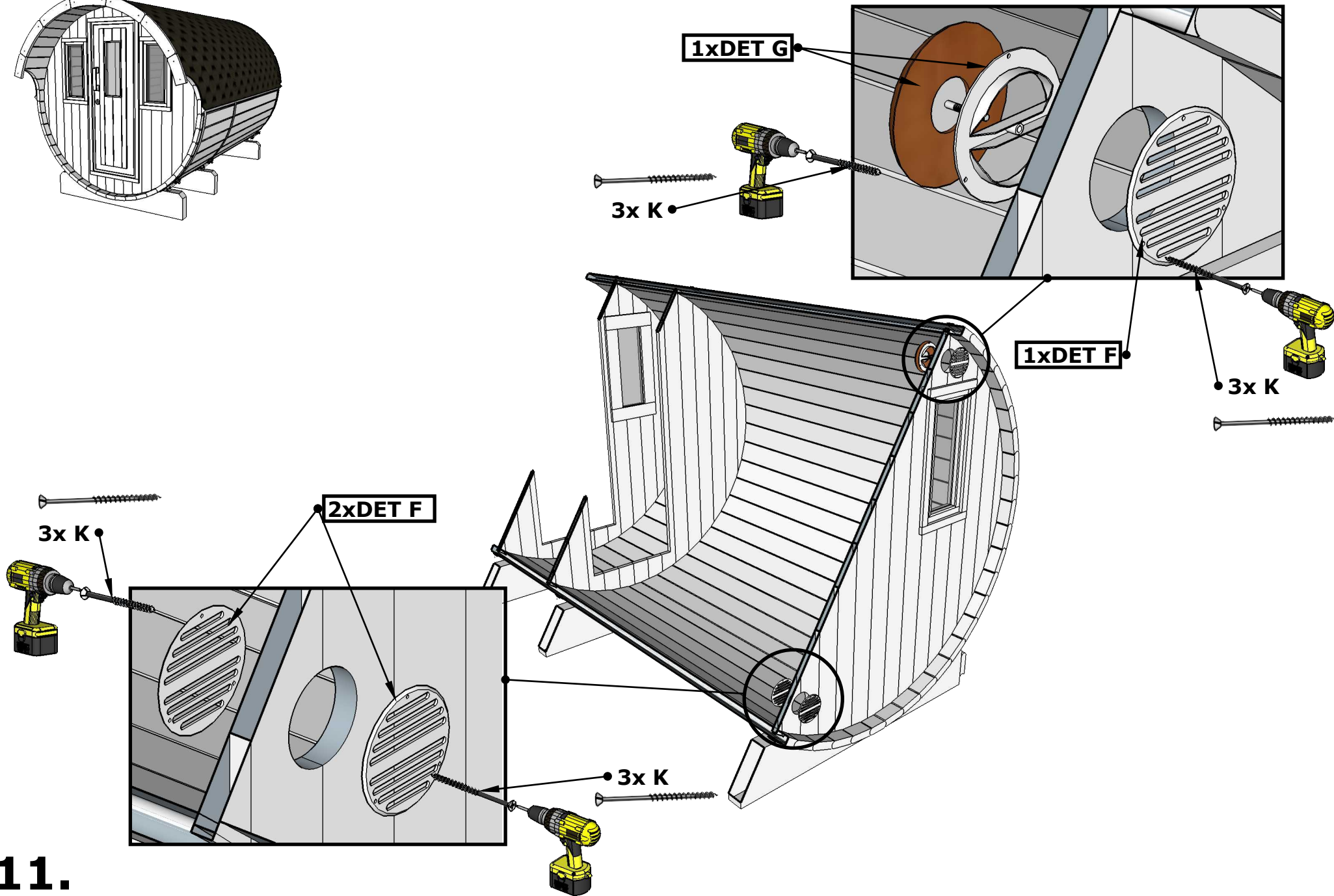
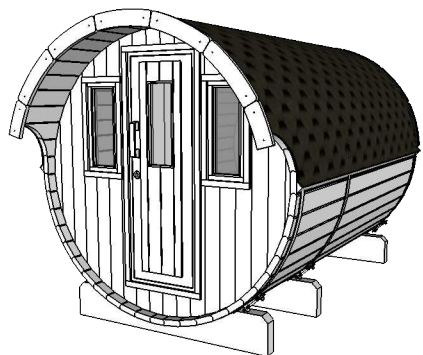


Use waterlevel for doors and windows installation.

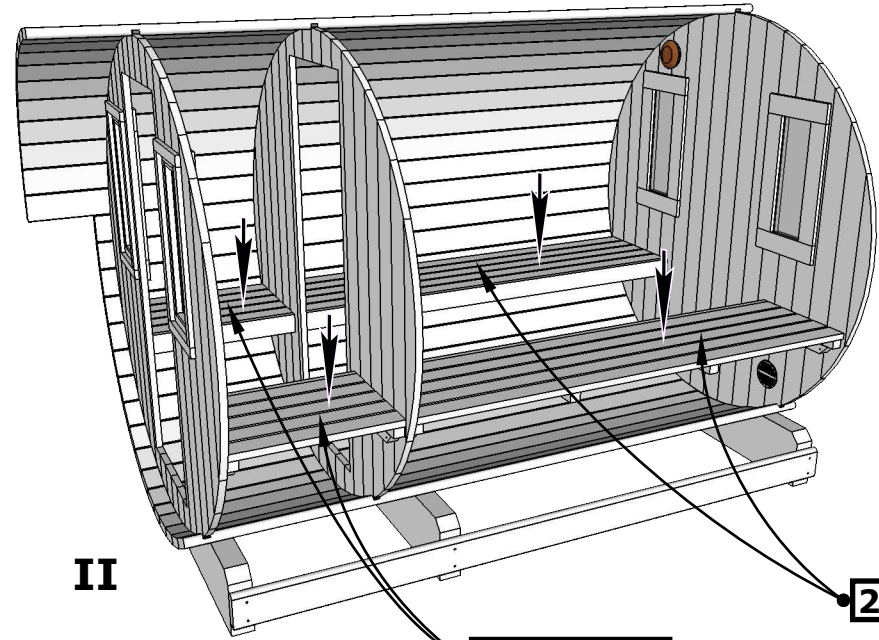
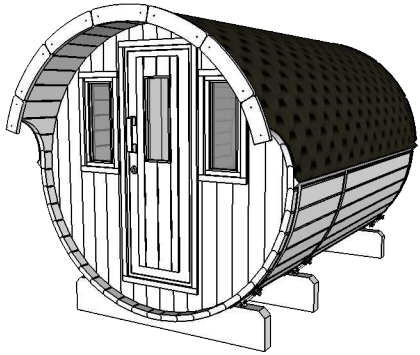
NB! Insert windows and doors from inside.



Sauna 330, D200



Sauna 330, D200

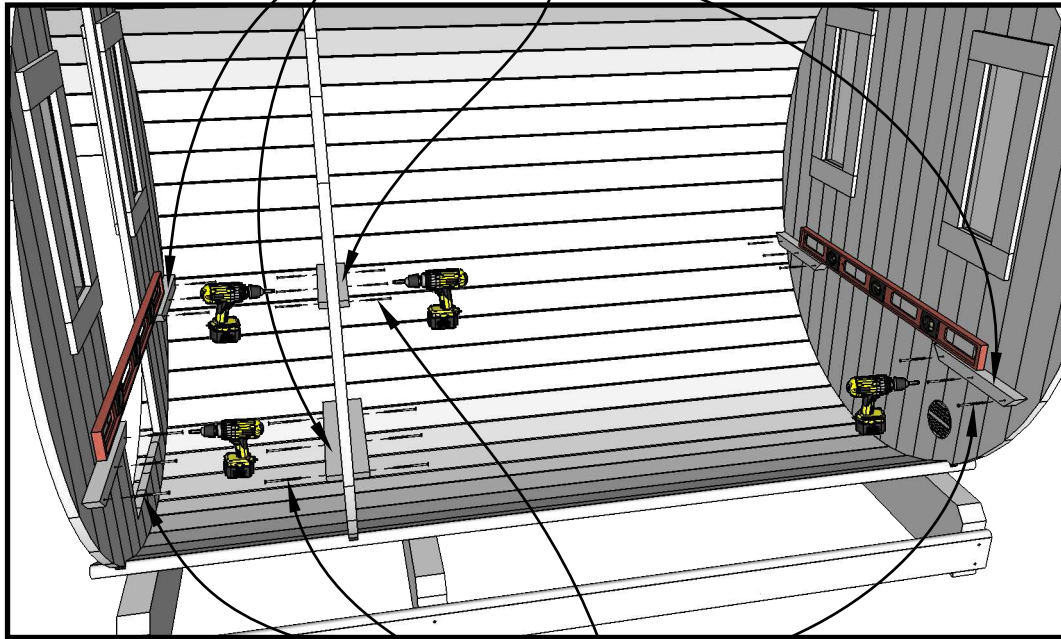


II

2x DET 9

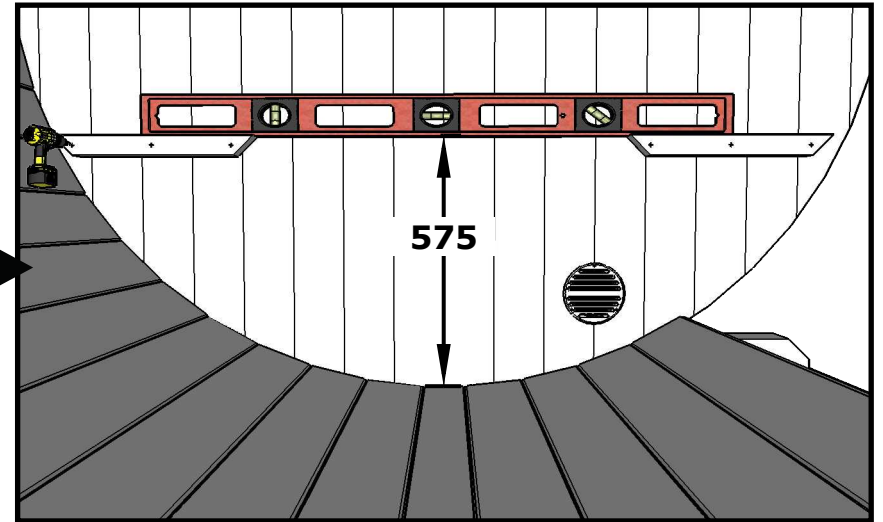
2x DET 10

8x DET 8



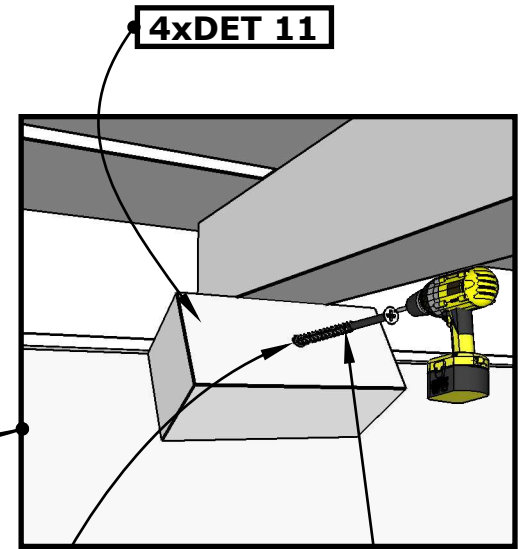
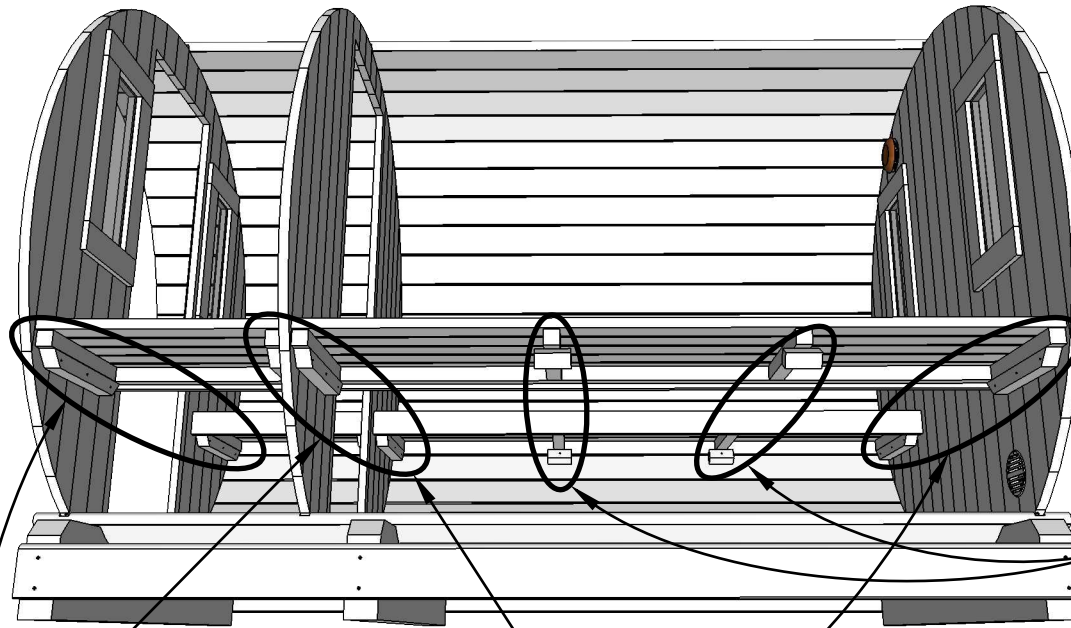
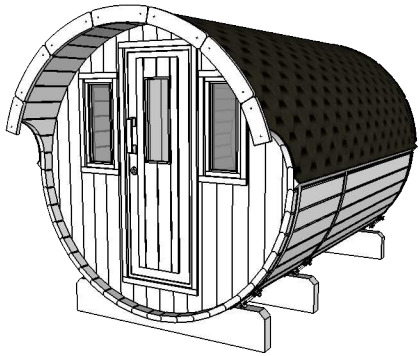
I

24x H



575

Sauna 330, D200

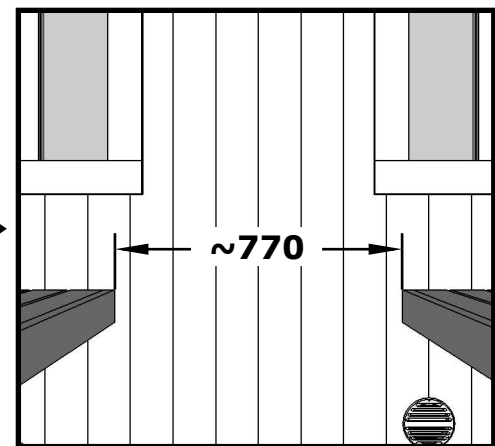
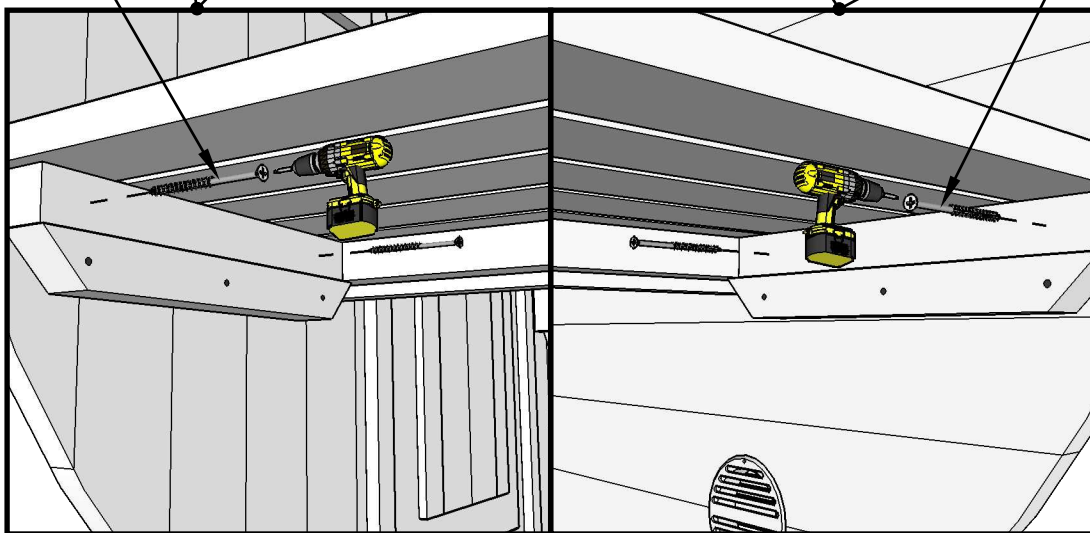


8x H

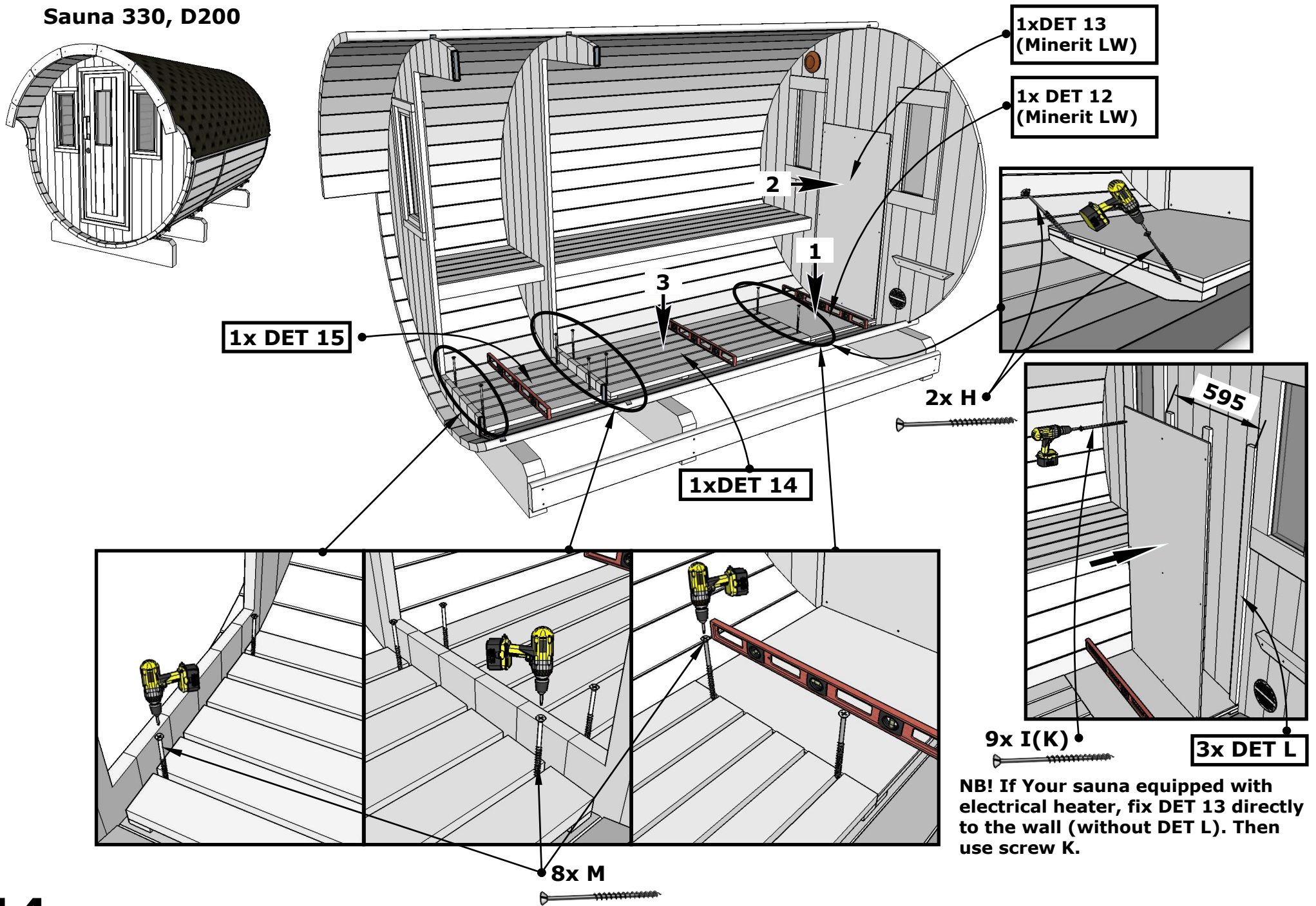
8x H

4x M

• Drill hole Ø4mm before screw.

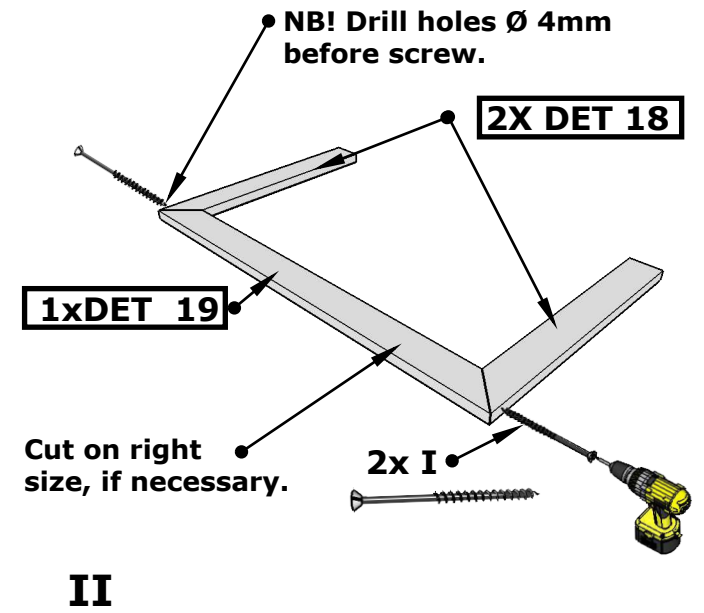
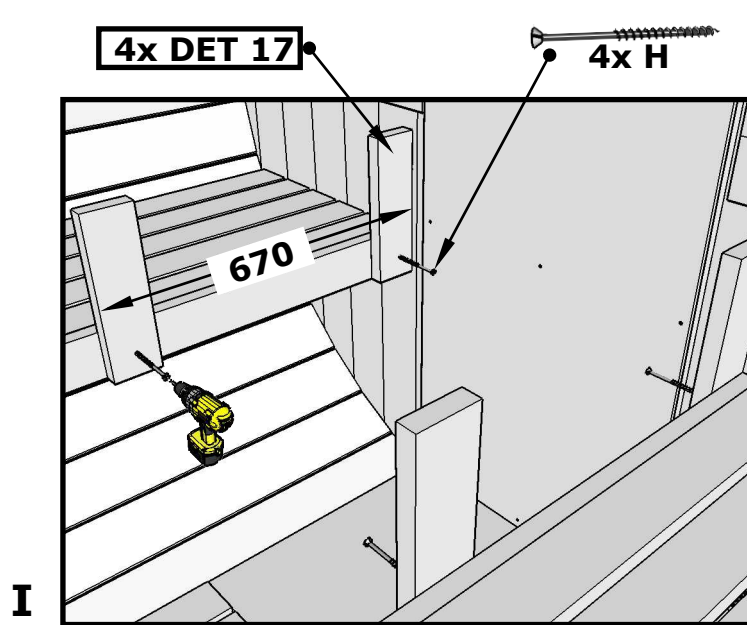
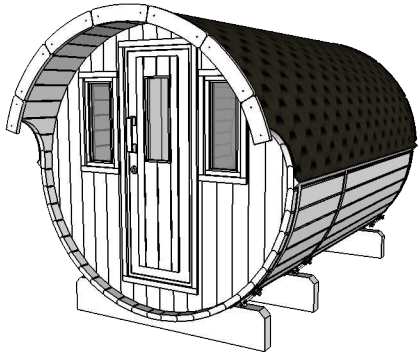


Sauna 330, D200

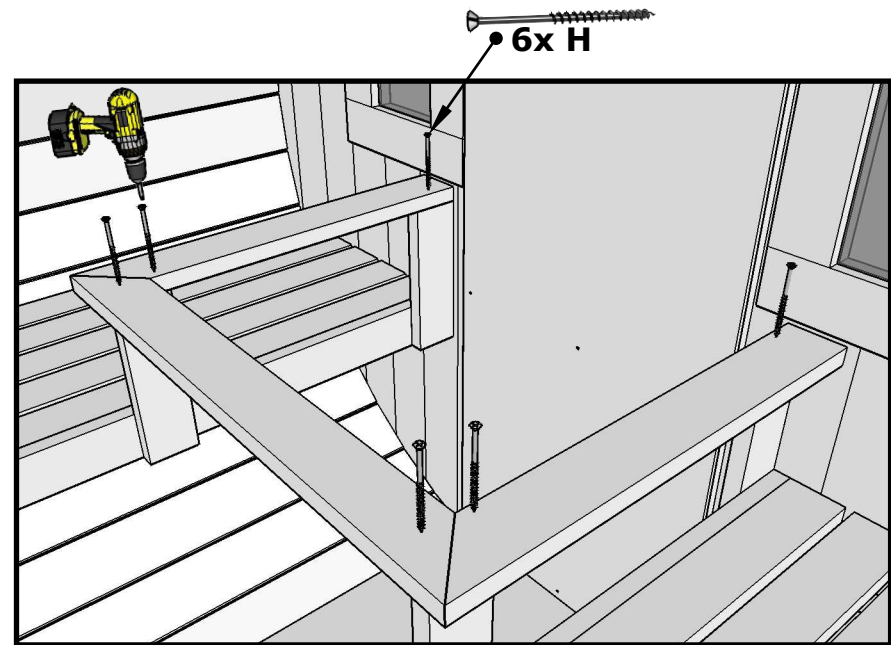
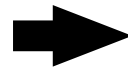
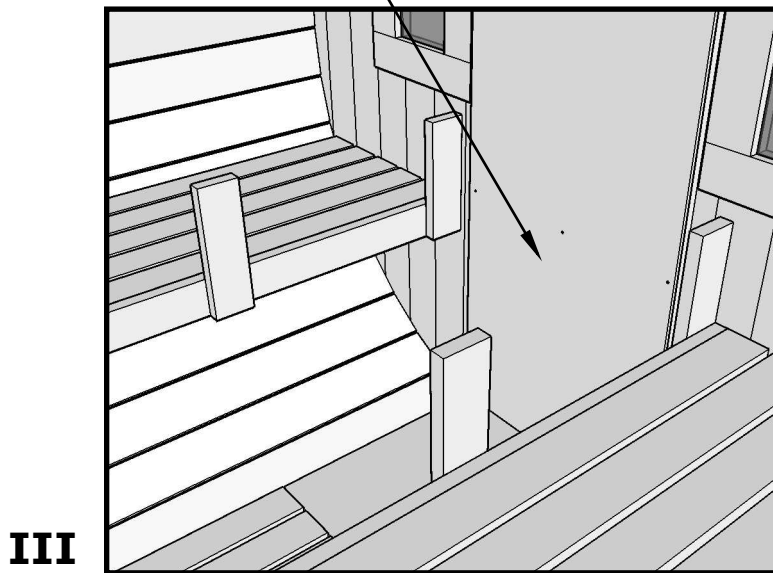


NB! If Your sauna equipped with electrical heater, fix DET 13 directly to the wall (without DET L). Then use screw K.

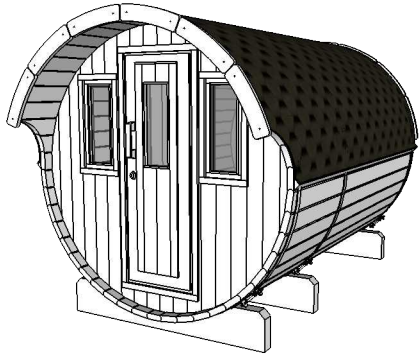
Sauna 330, D200



NB! Place sauna heater.



Sauna 330, D200

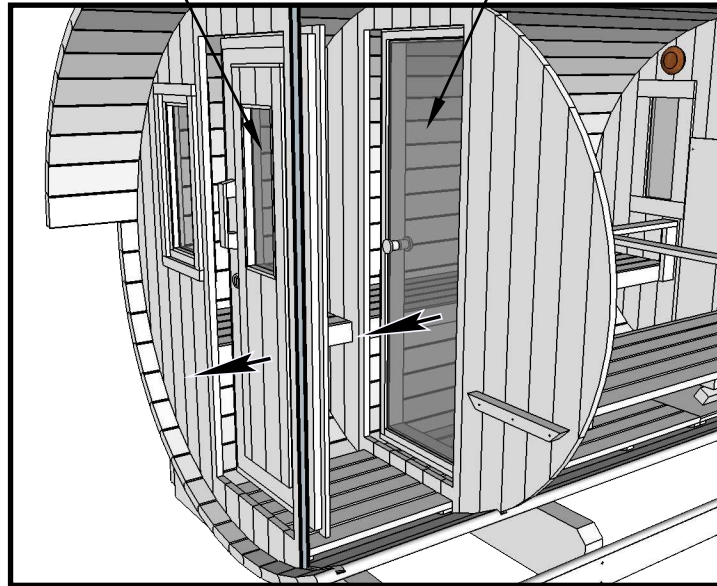


Use waterlevel for doors and windows installation.

NB! Insert windows and doors from inside.

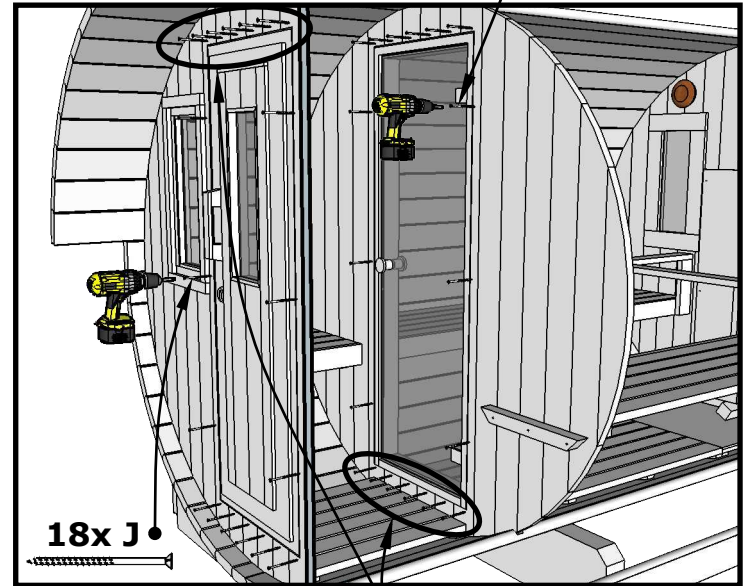
1x DET 20

1x DET 21



I

18x H



II

18x J

Horizontally fix screws in every board.

2x DET 20a
2x DET 20b

14x J



III

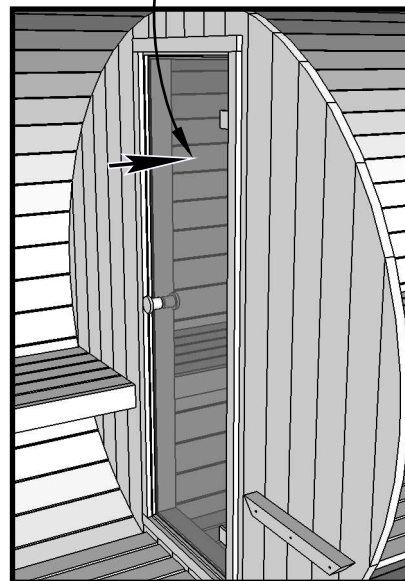
2x DET 21a
2x DET 21b

14x J



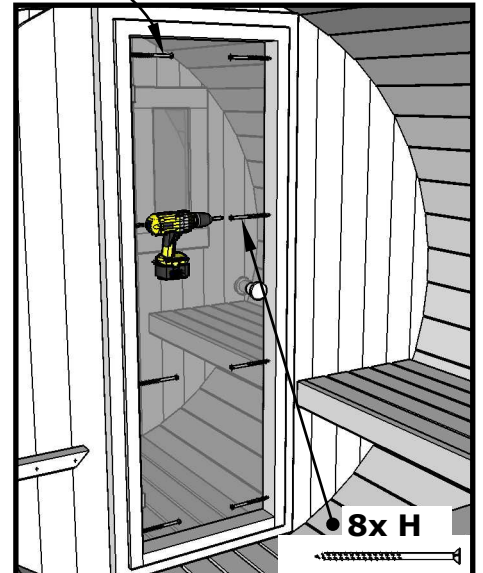
IV

Push door against the wall and fix it from inside.



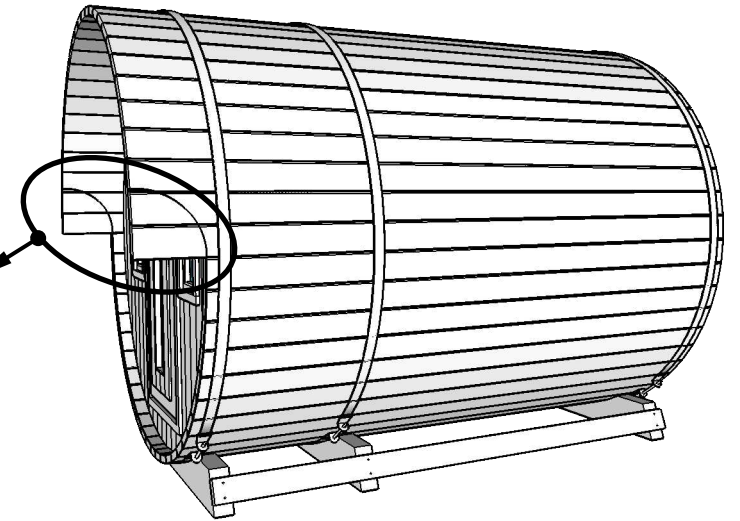
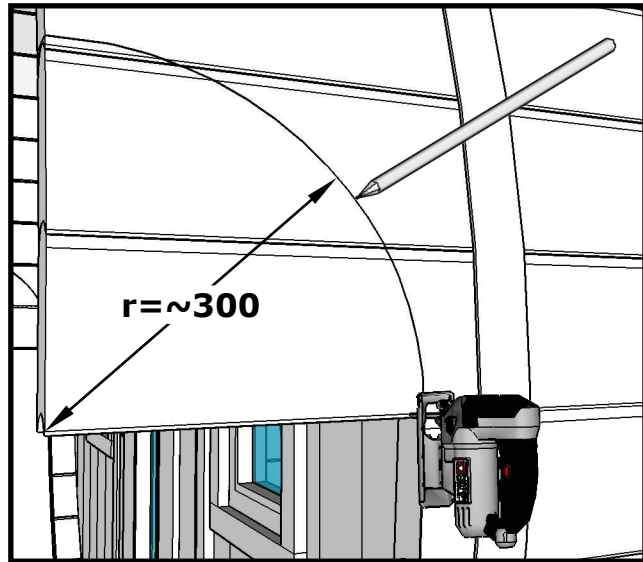
V

8x H

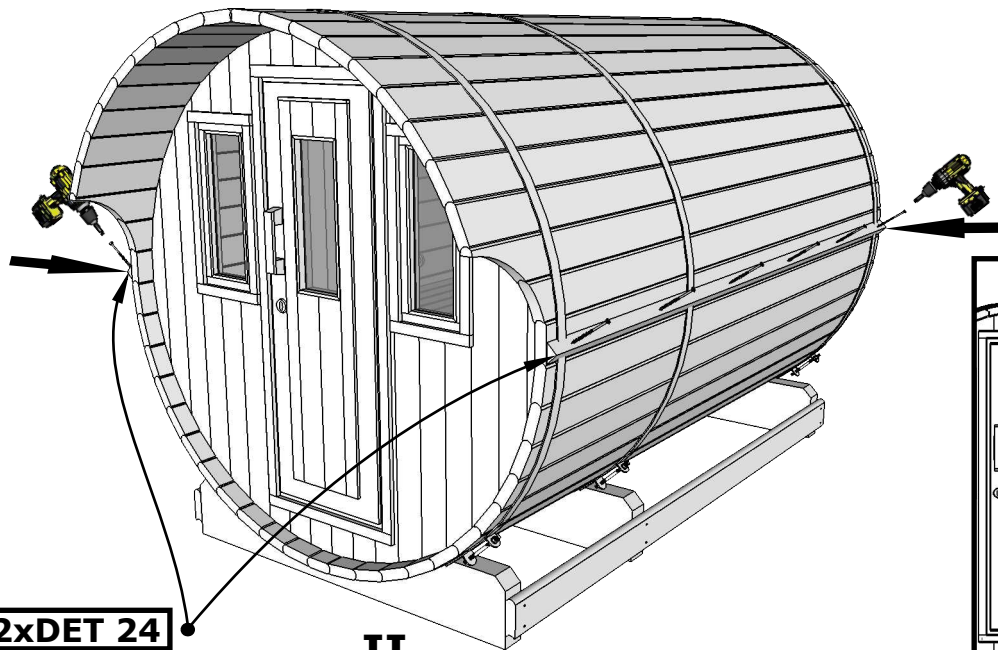


VI

Sauna 330, D200

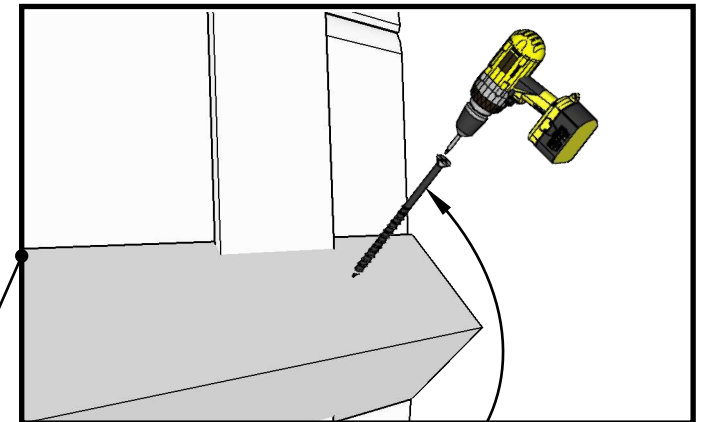
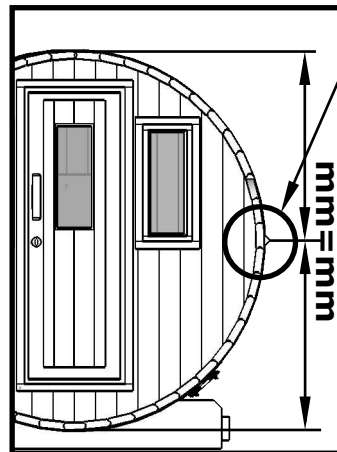


I



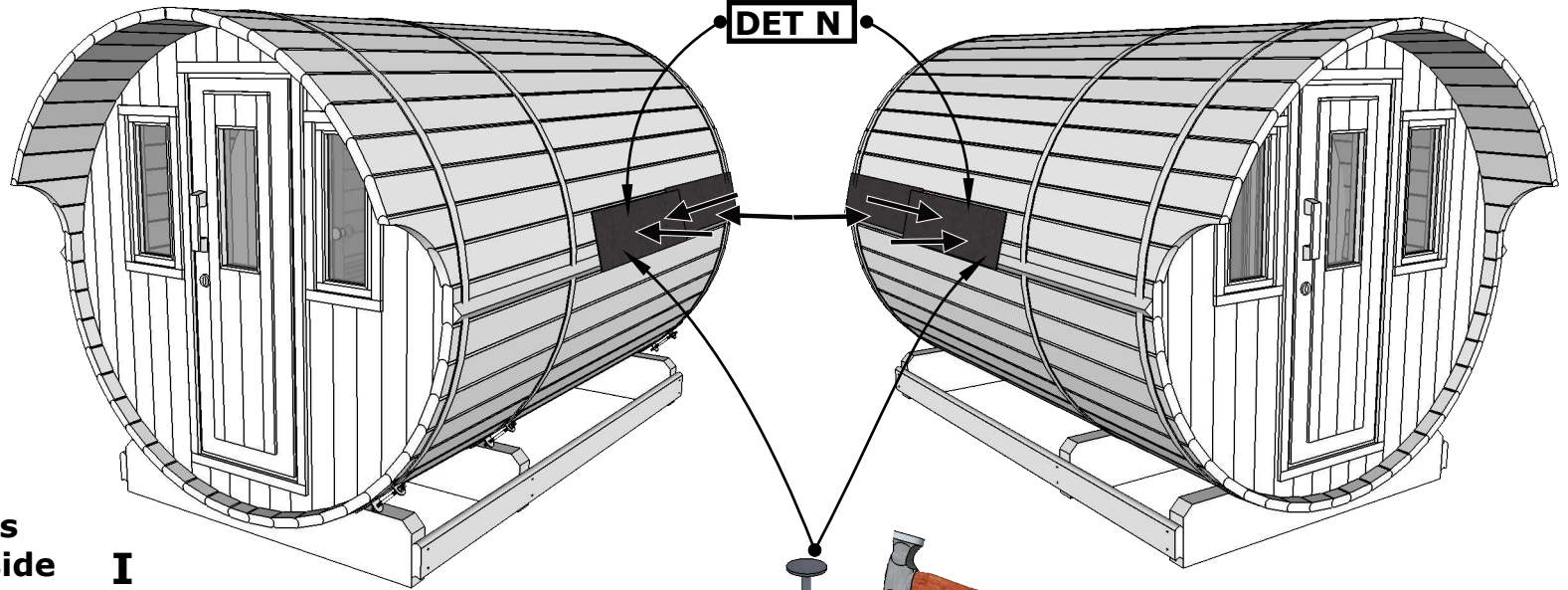
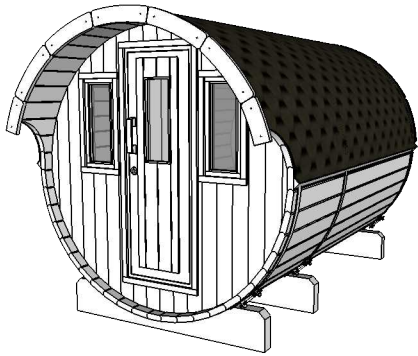
2xDET 24

II



12x H

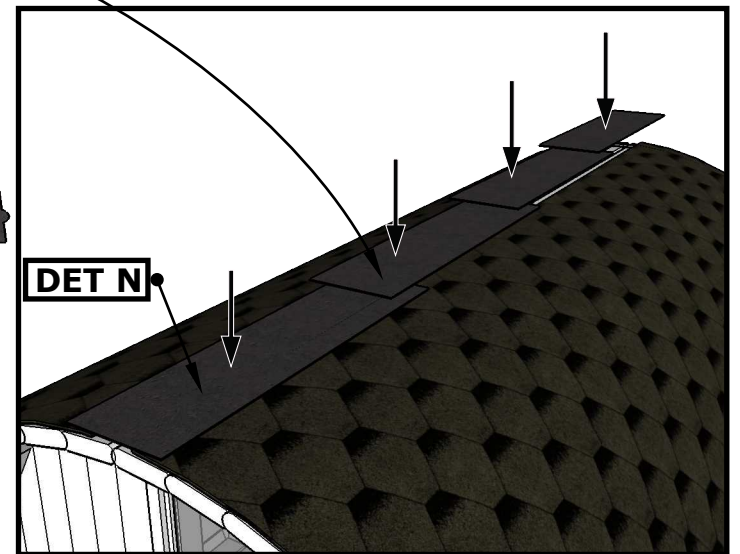
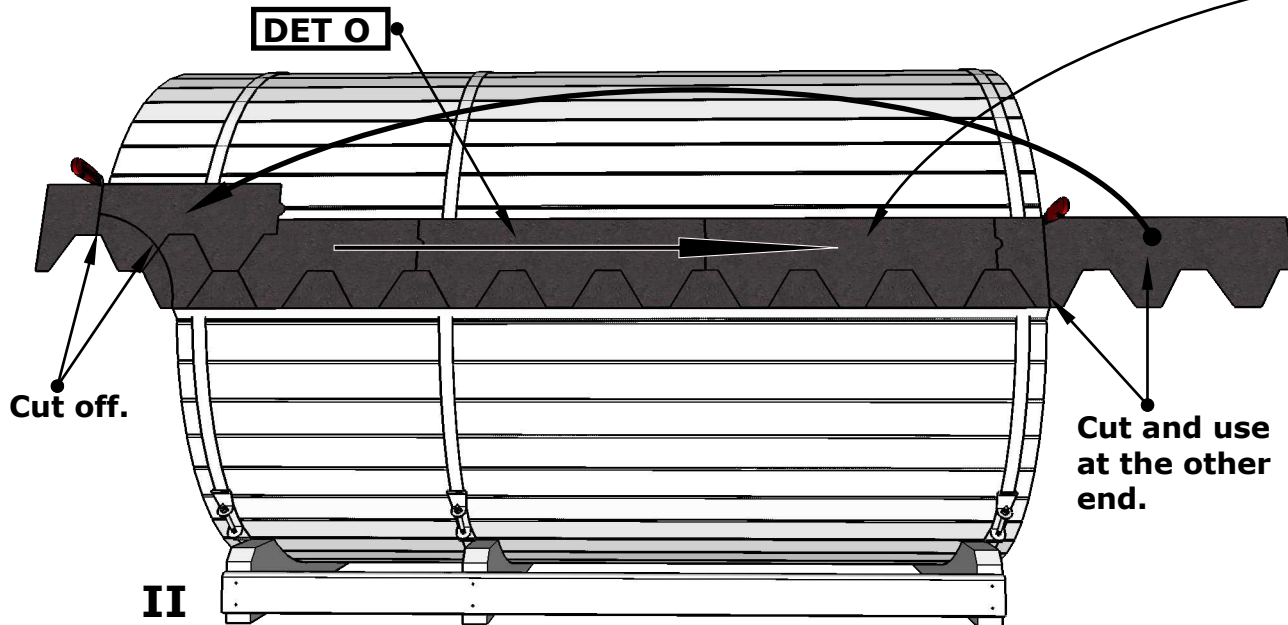
Sauna 330, D200



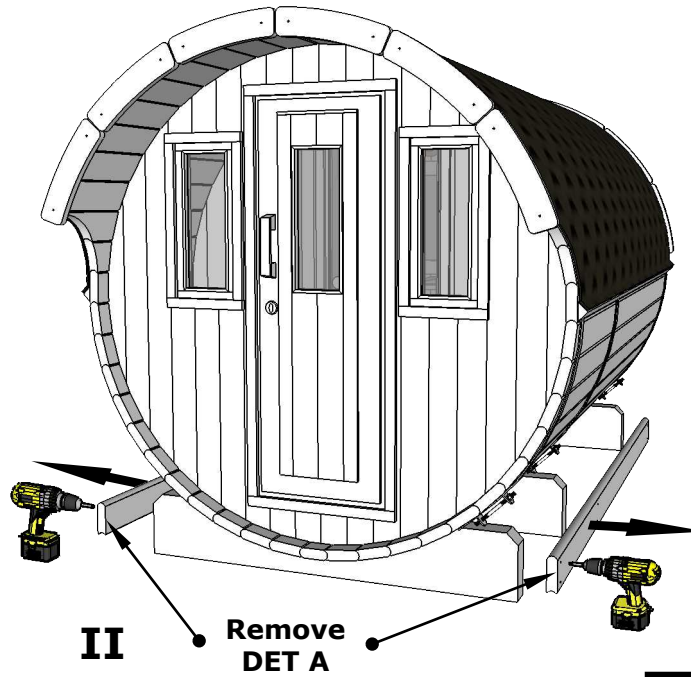
NB! Check also shingles installation manual inside shingles package!

I

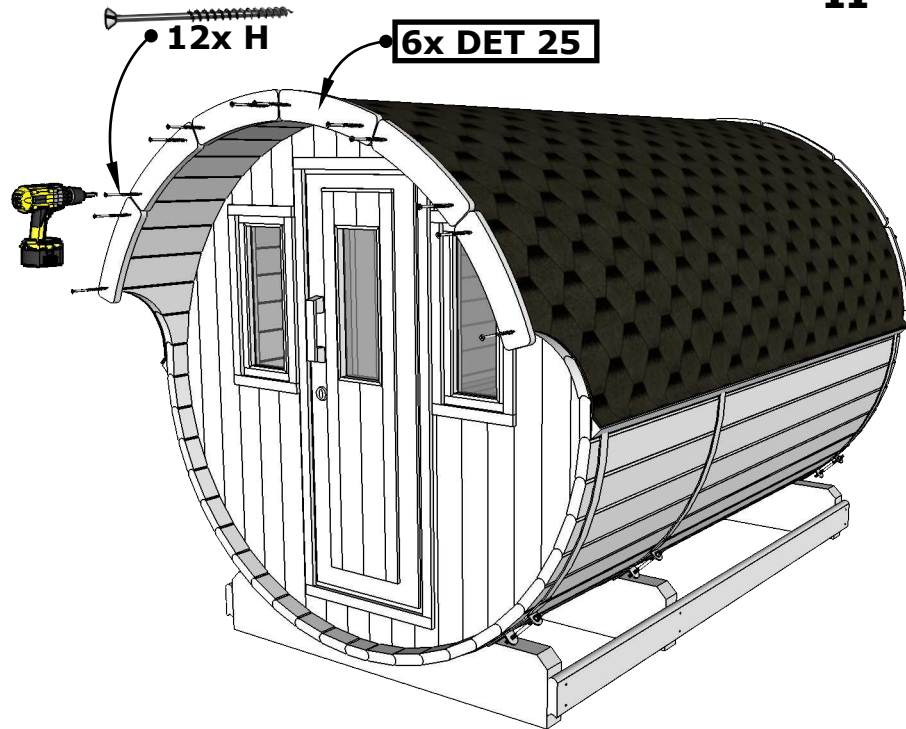
L



Sauna 330, D200

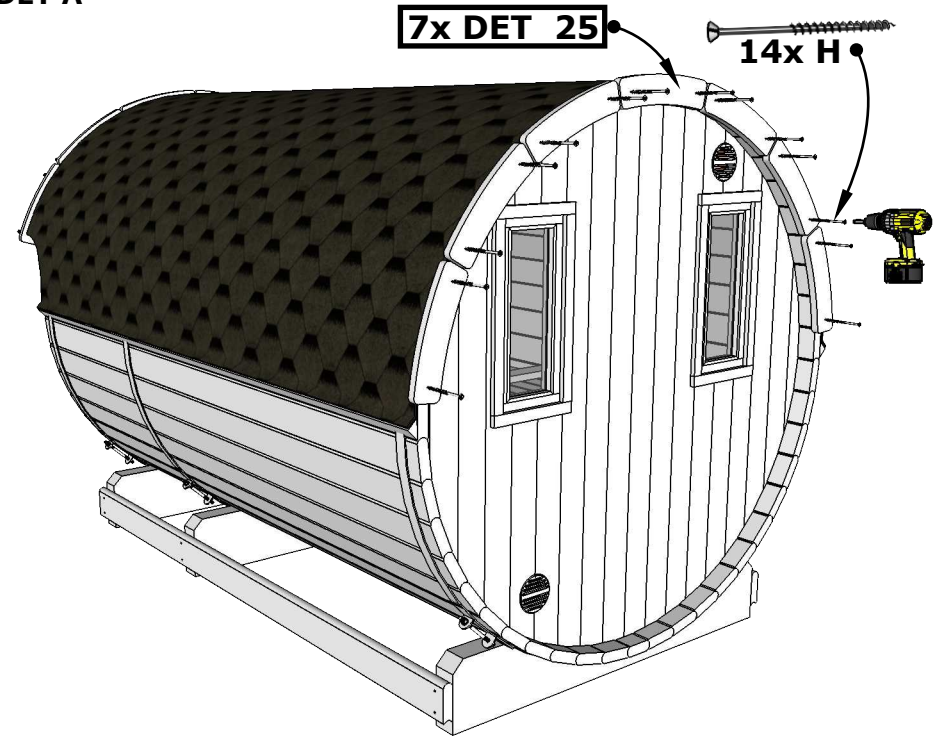


II Remove DET A



12x H

6x DET 25



7x DET 25

14x H

I