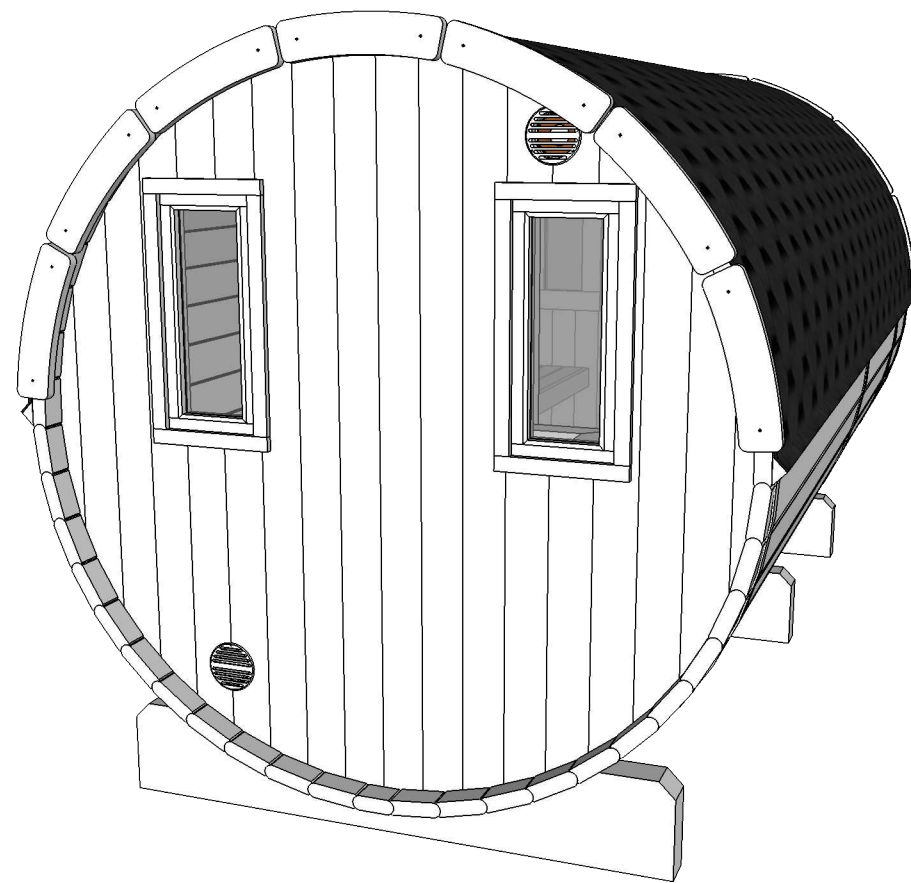
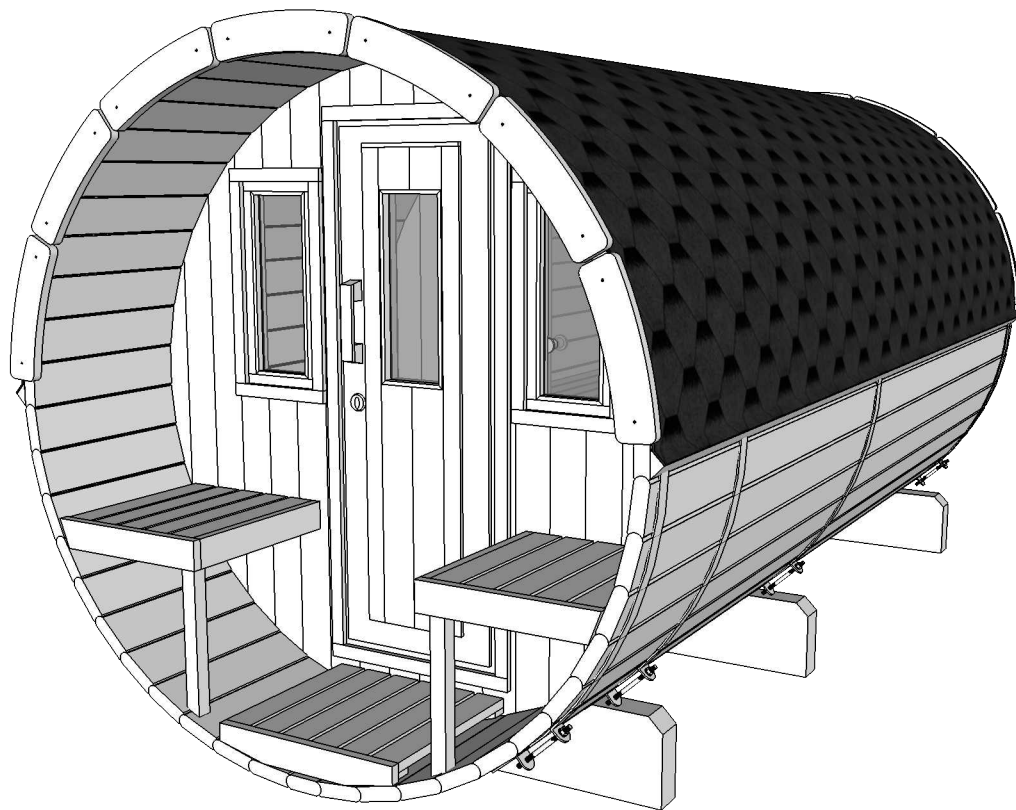


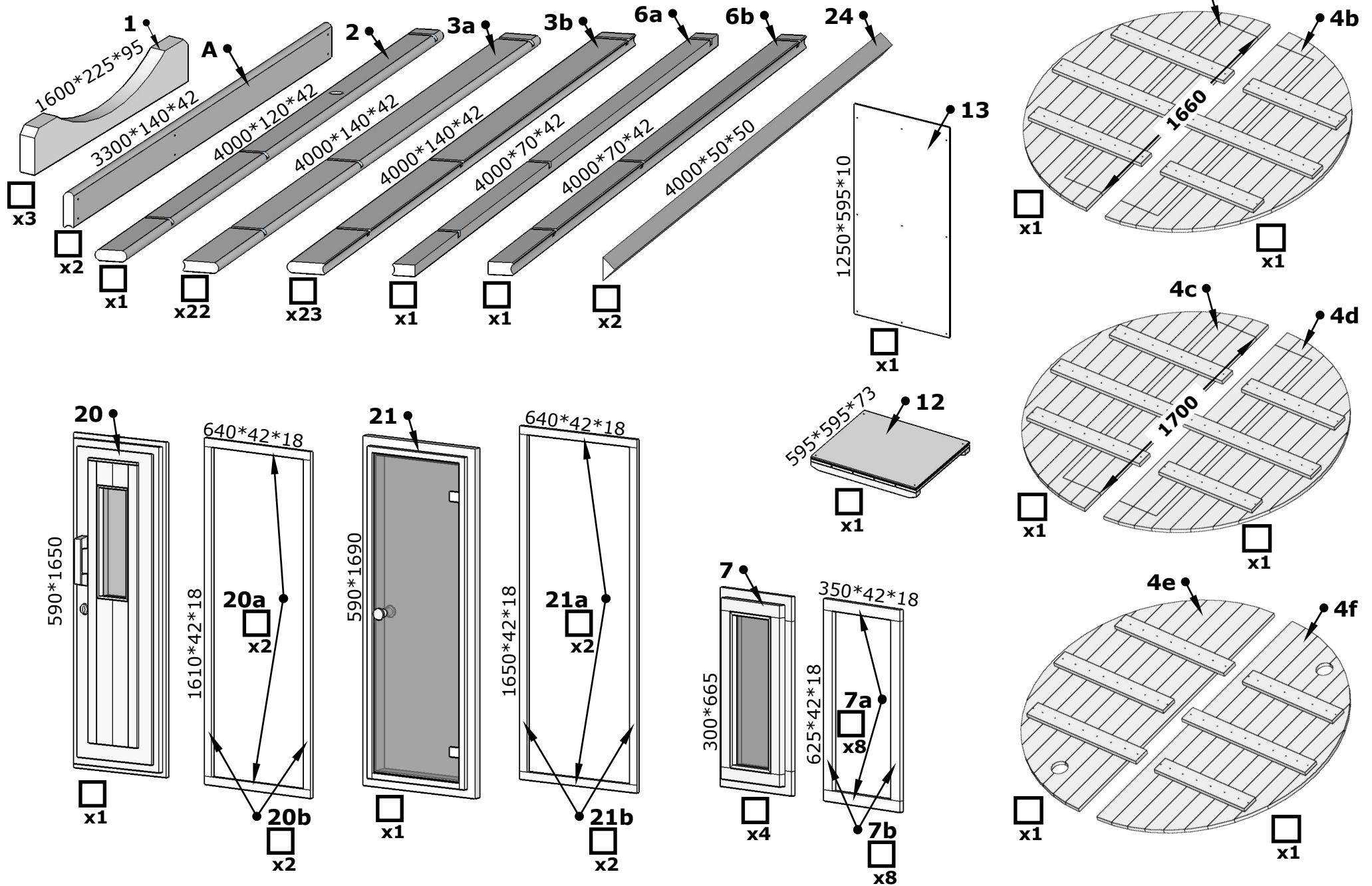
Sauna 400, D 200

(EM 008)



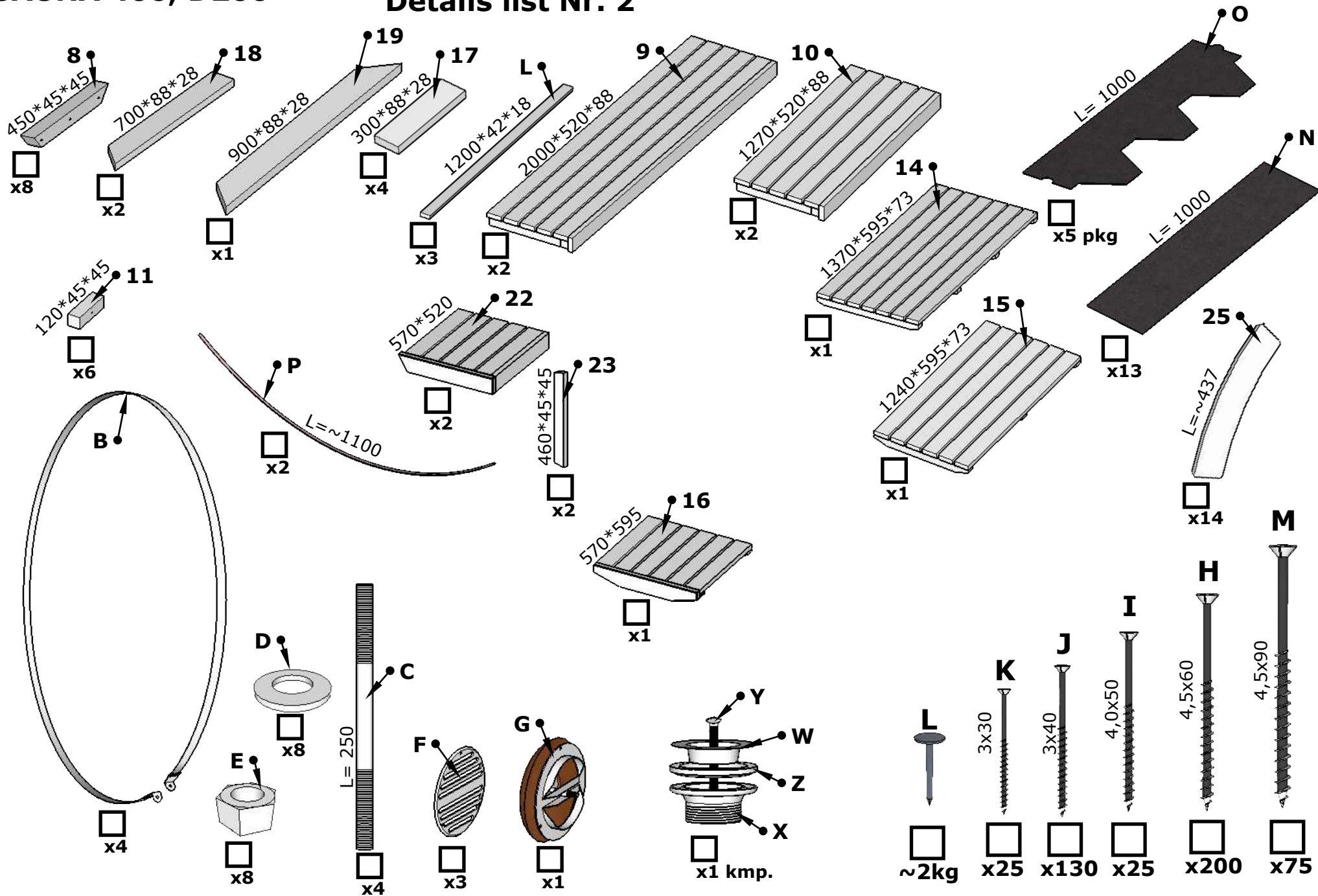
SAUNA 400, D200

Details list Nr. 1

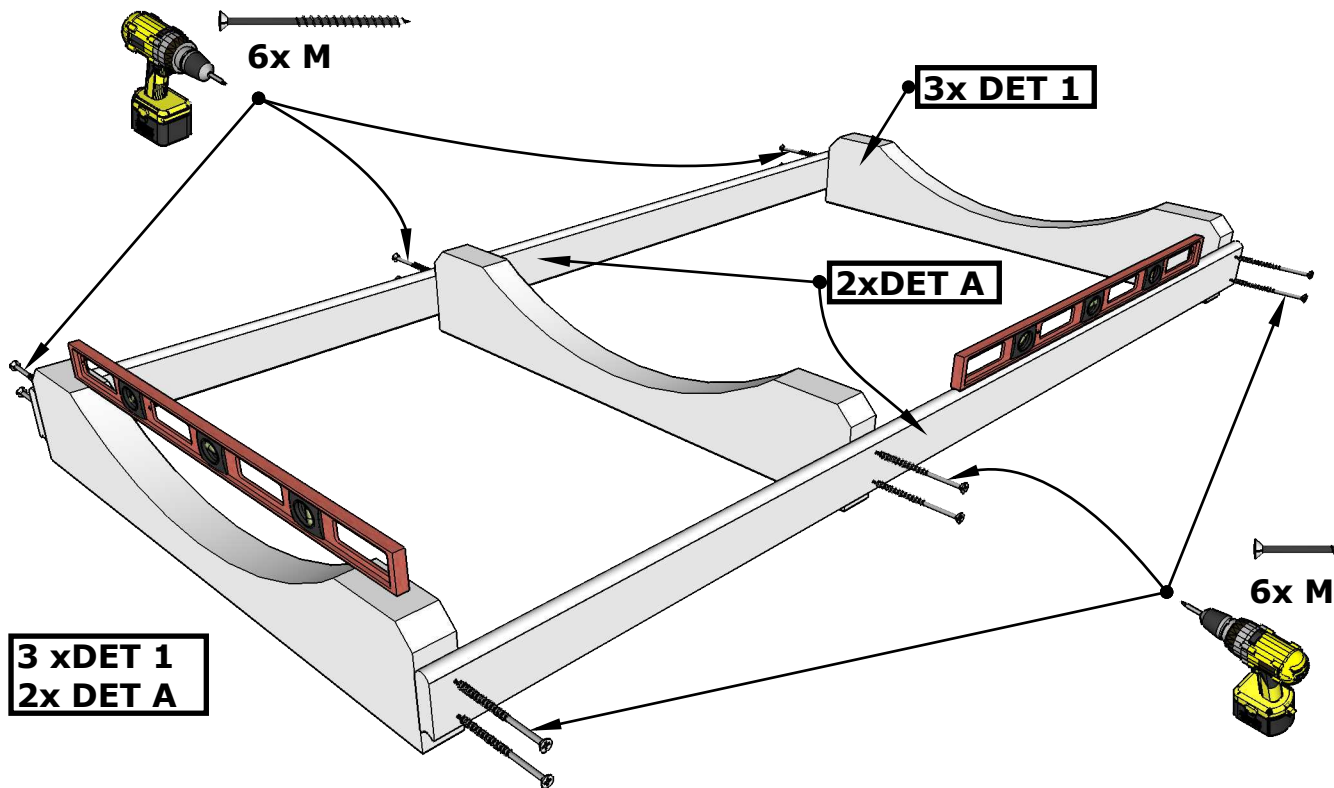
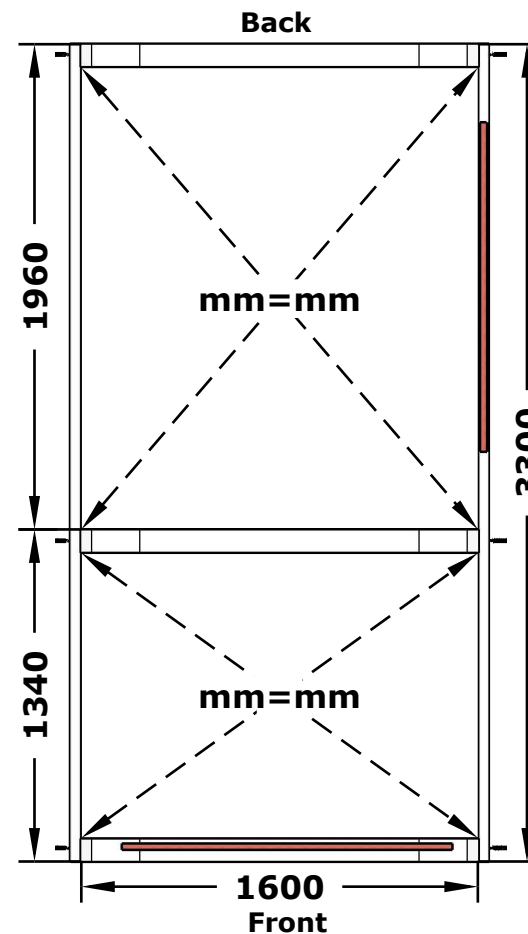
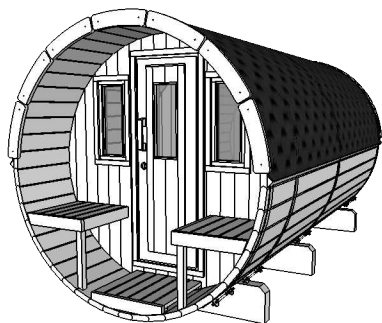


SAUNA 400, D200

Details list Nr. 2

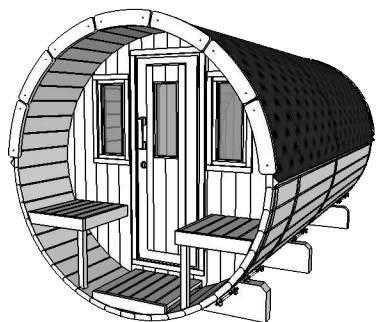


Sauna 400, D 200



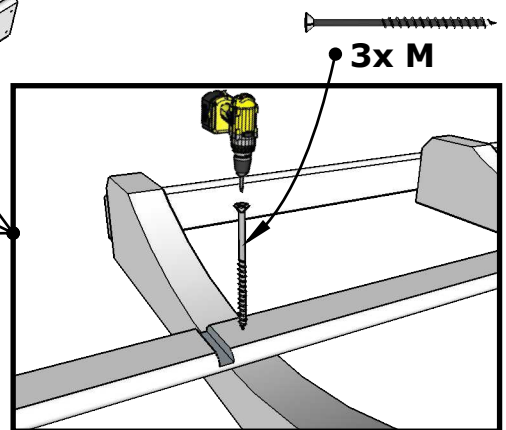
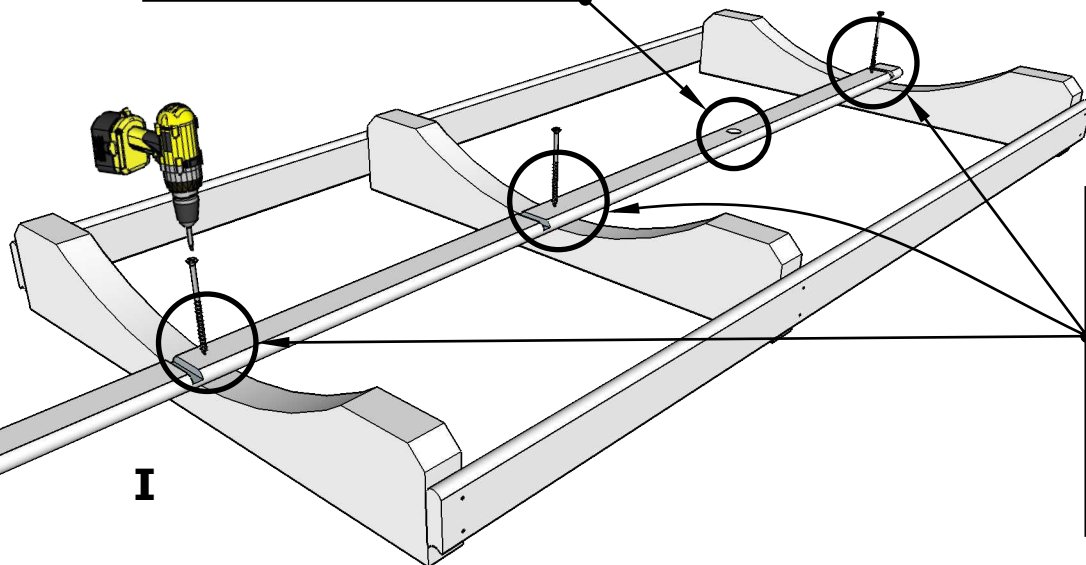
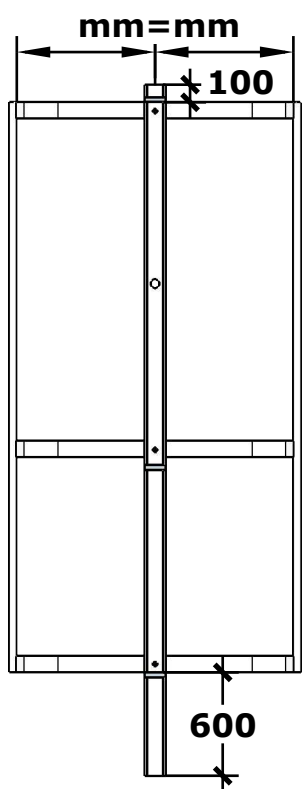
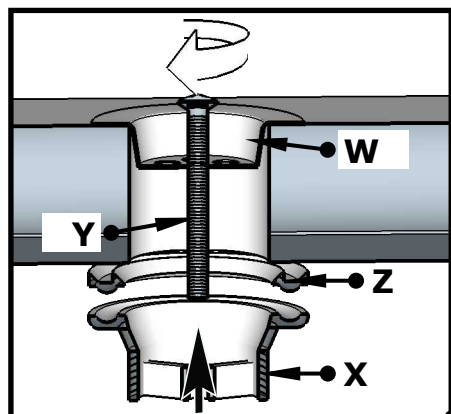
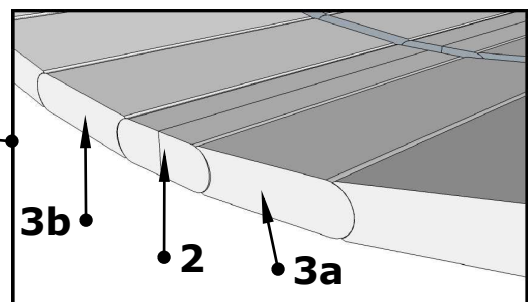
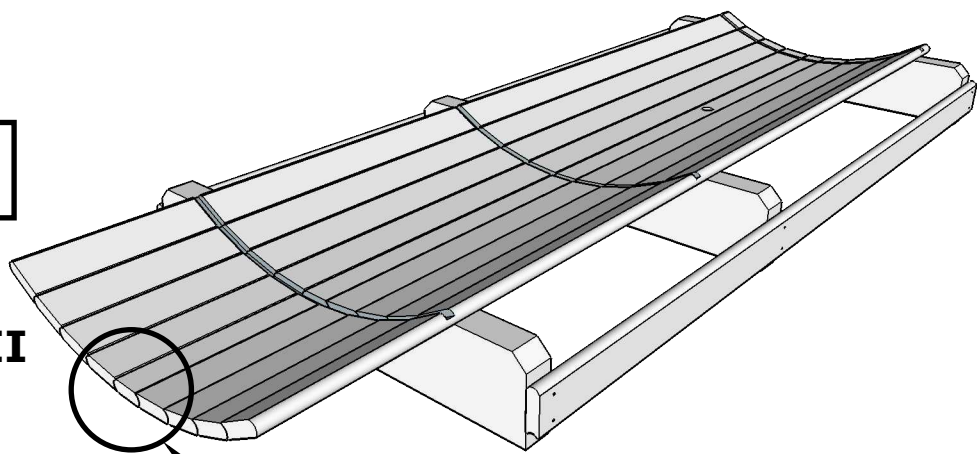
1.

Sauna 400, D 200



4 x DET 3a
4 x DET 3b

II

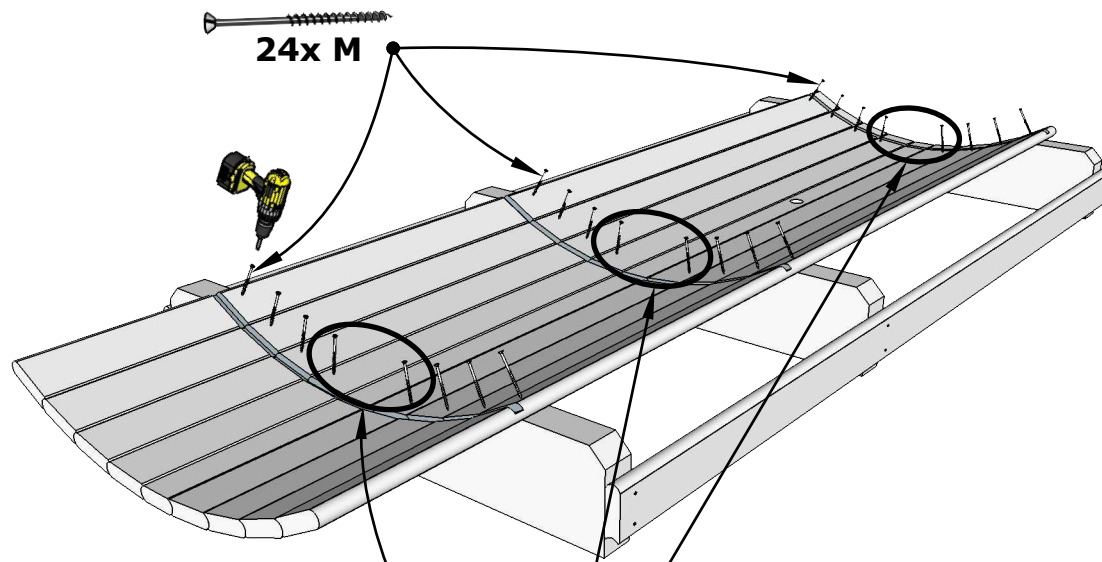
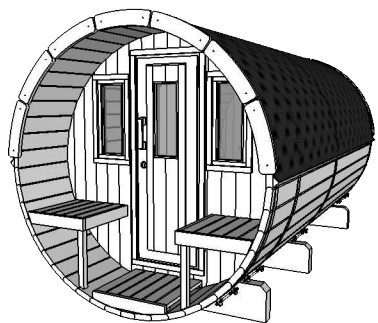


1x DET 2

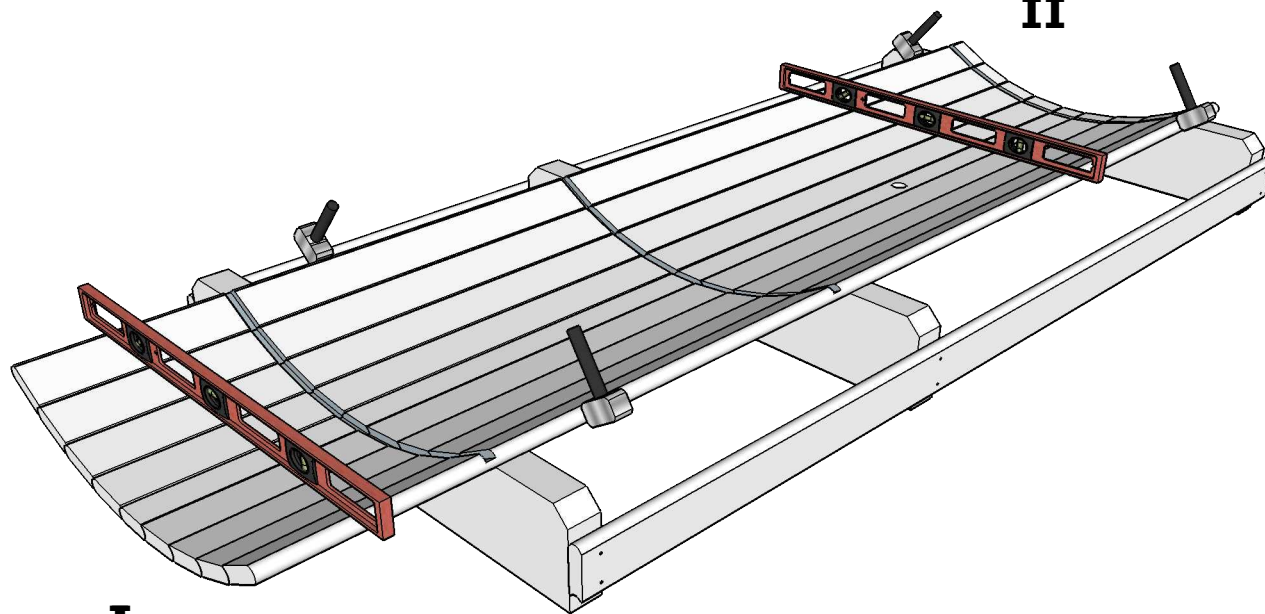
I

2.

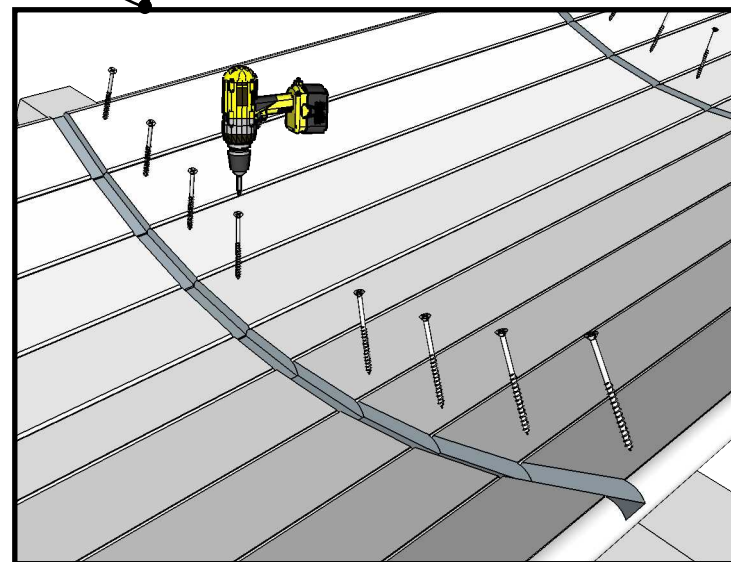
Sauna 400, D 200



II

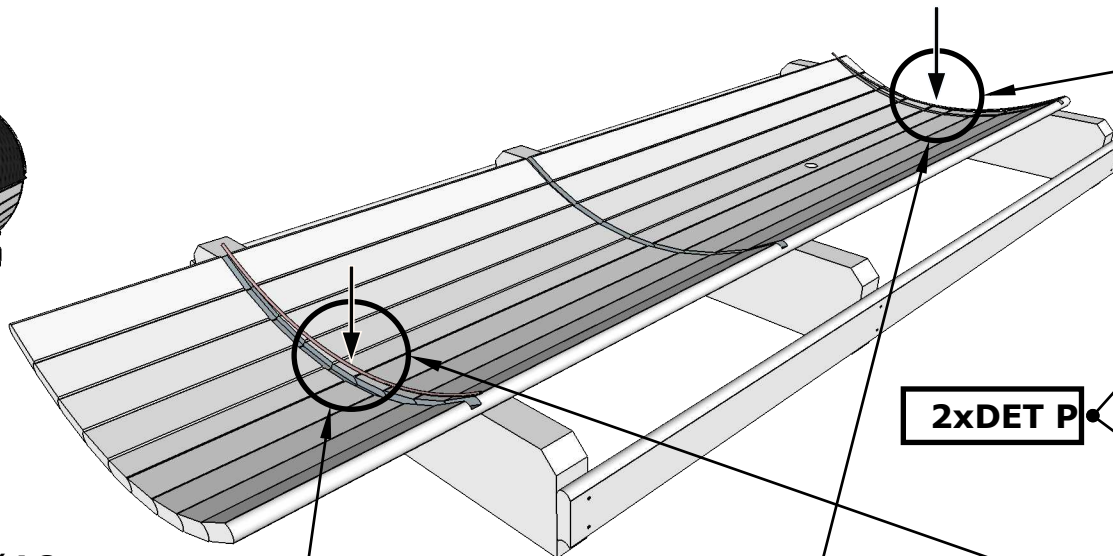
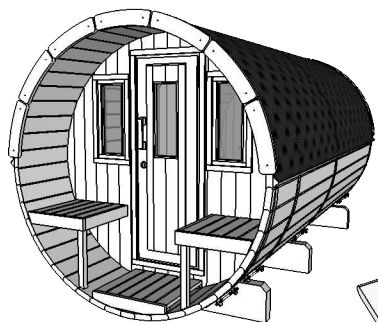


I



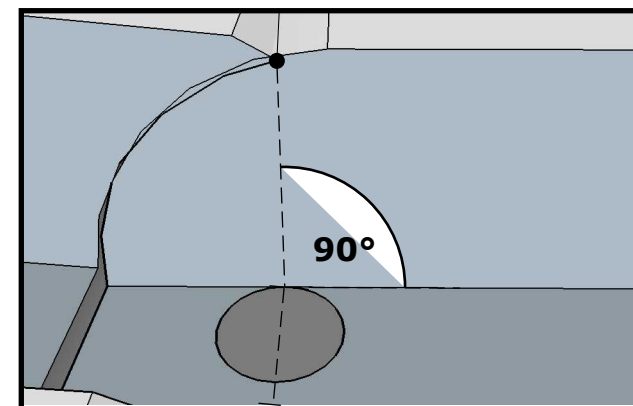
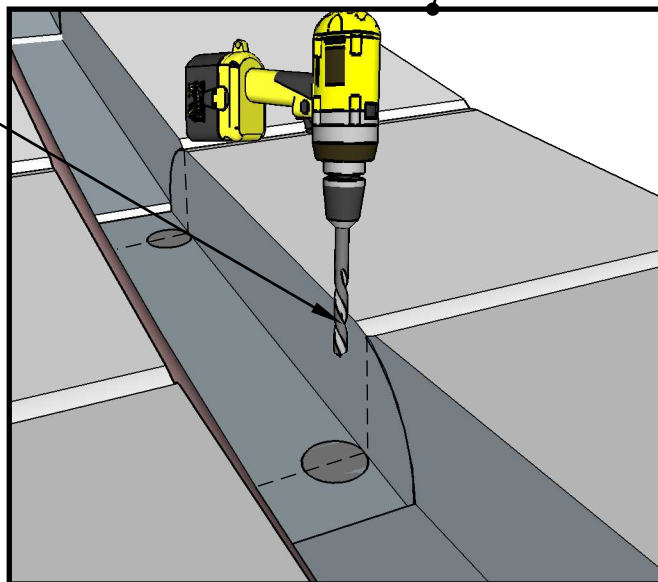
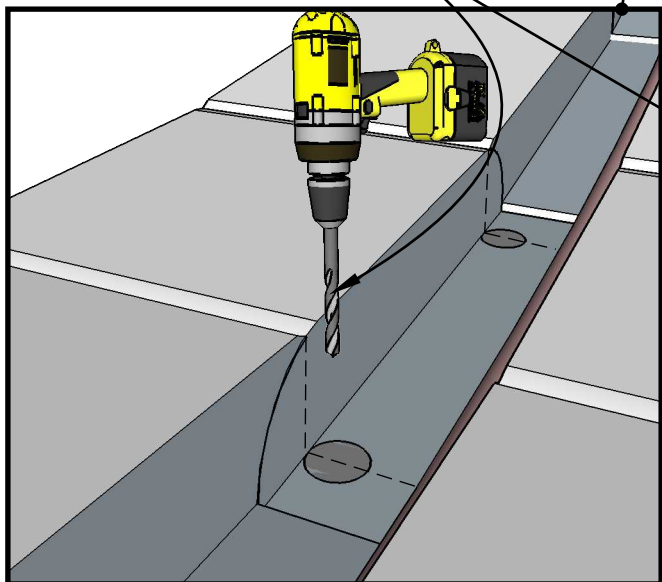
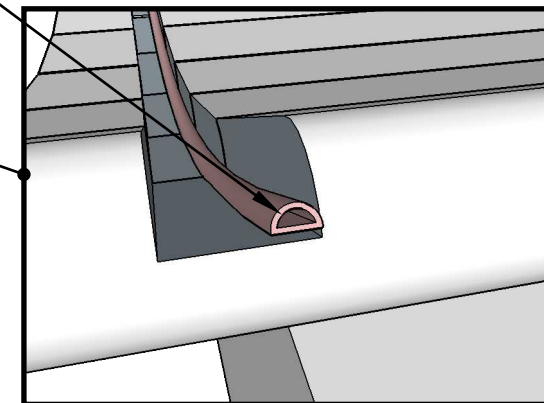
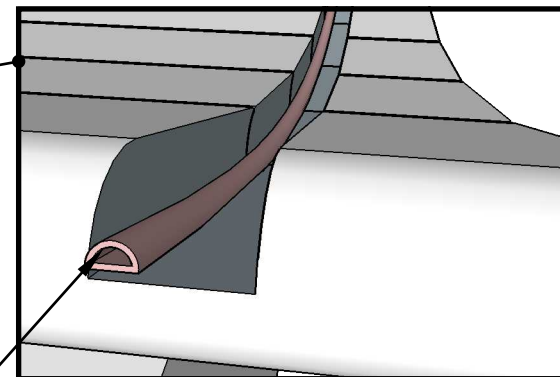
3.

Sauna 400, D 200



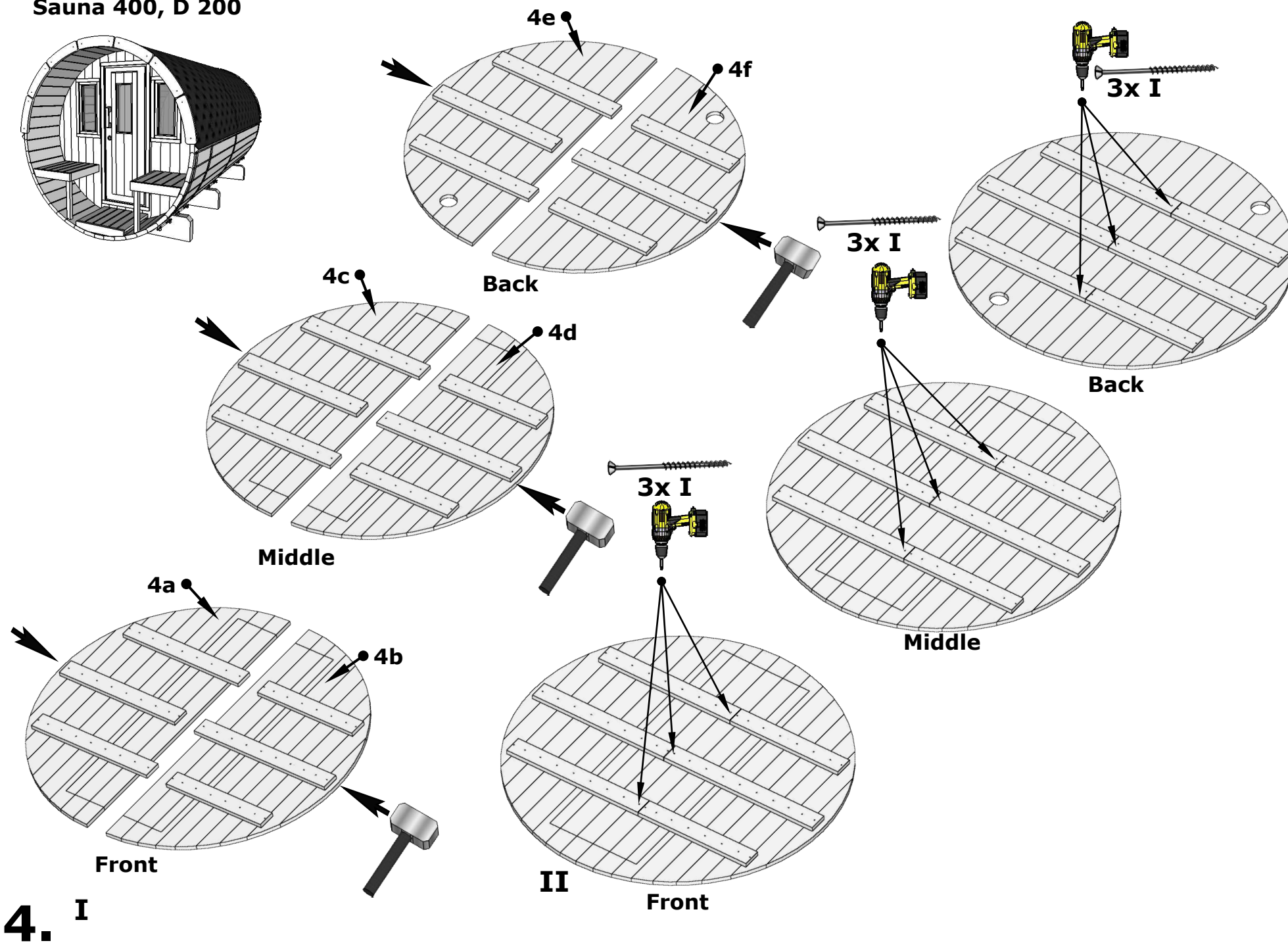
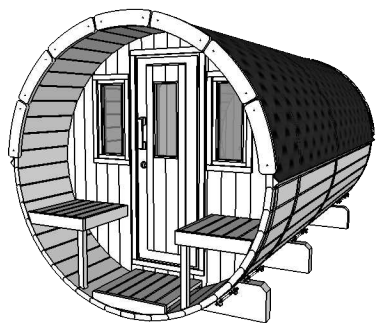
Drill 4 holes Ø10mm
into DET 2
(2 on each side)

2xDET P



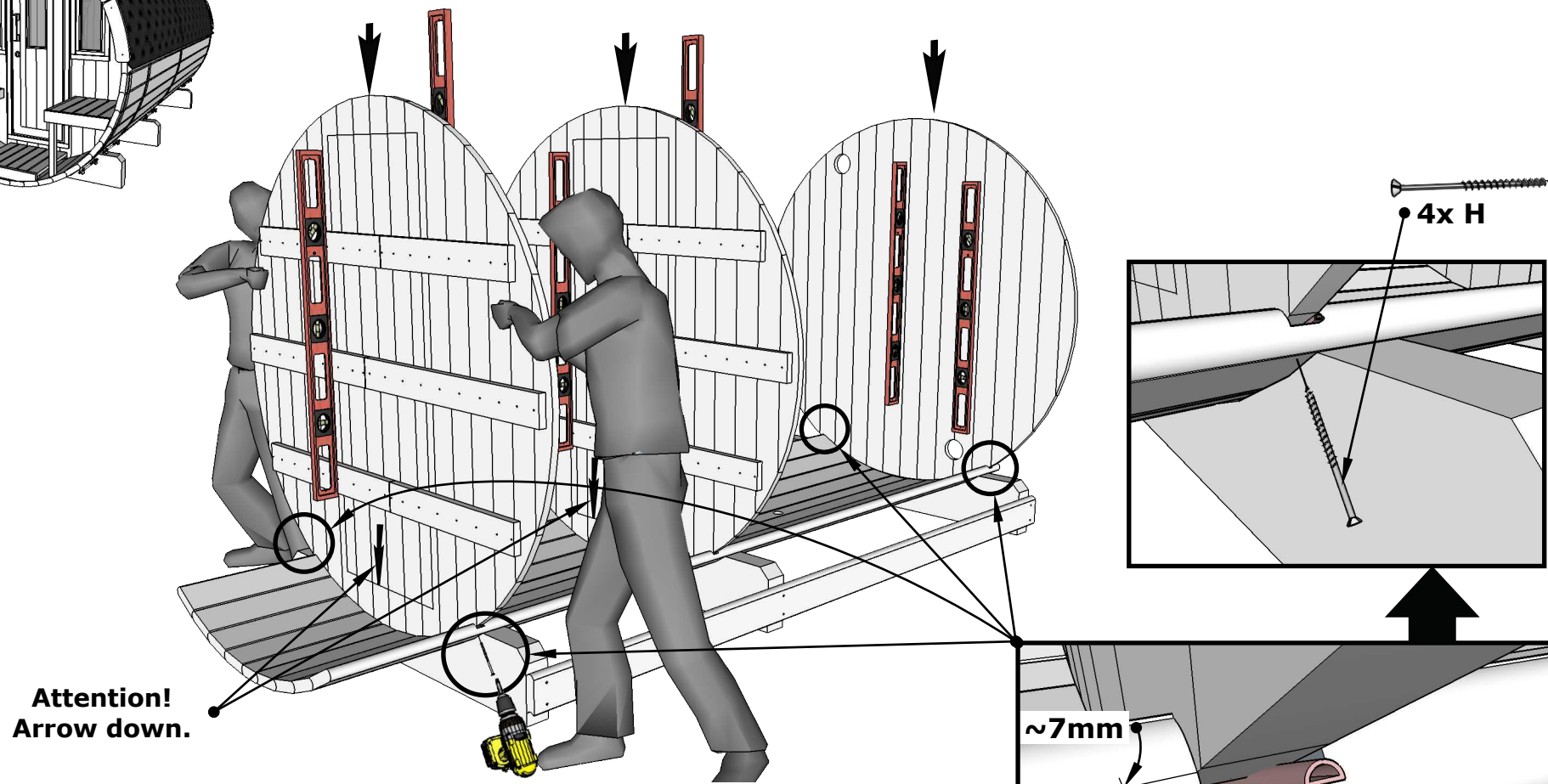
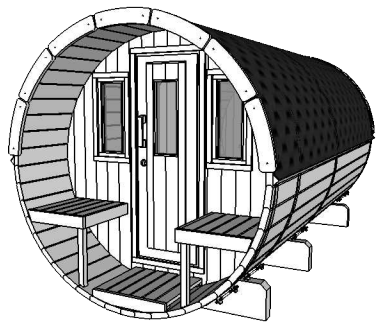
3A.

Sauna 400, D 200



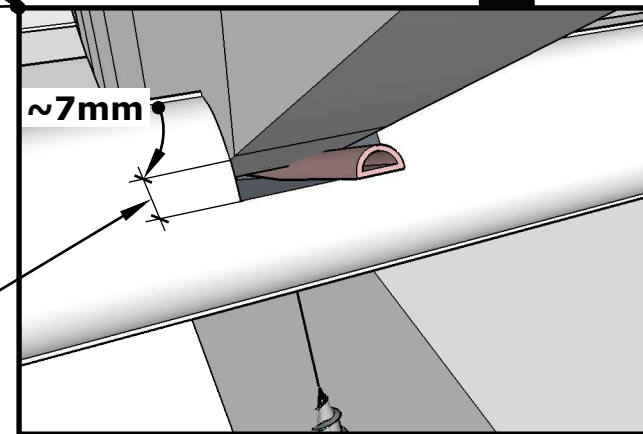
4. I

Sauna 400, D 200

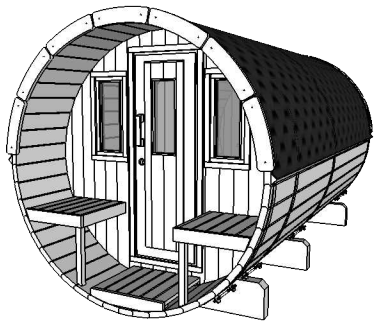


Attention!
Arrow down.

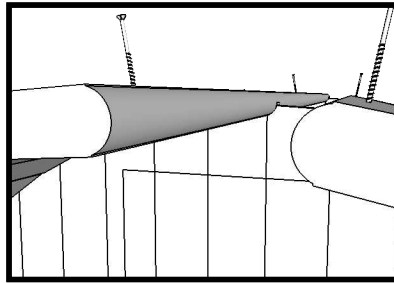
Attention!
Keep distance!
Do not leave a gap if
Sauna is made of thermowood.



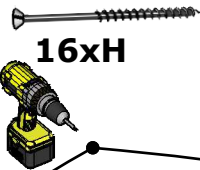
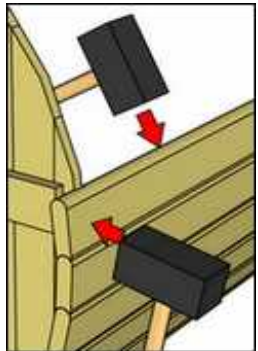
Sauna 400, D 200



Watch page 6A



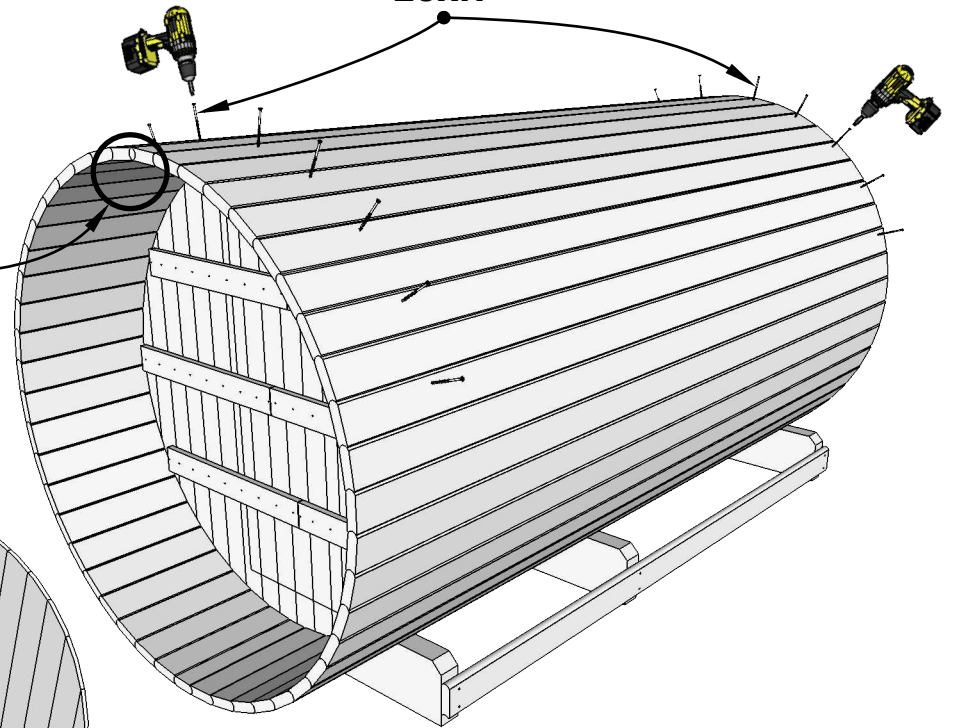
11x DET 3b
10x DET 3a



16xH



20xH

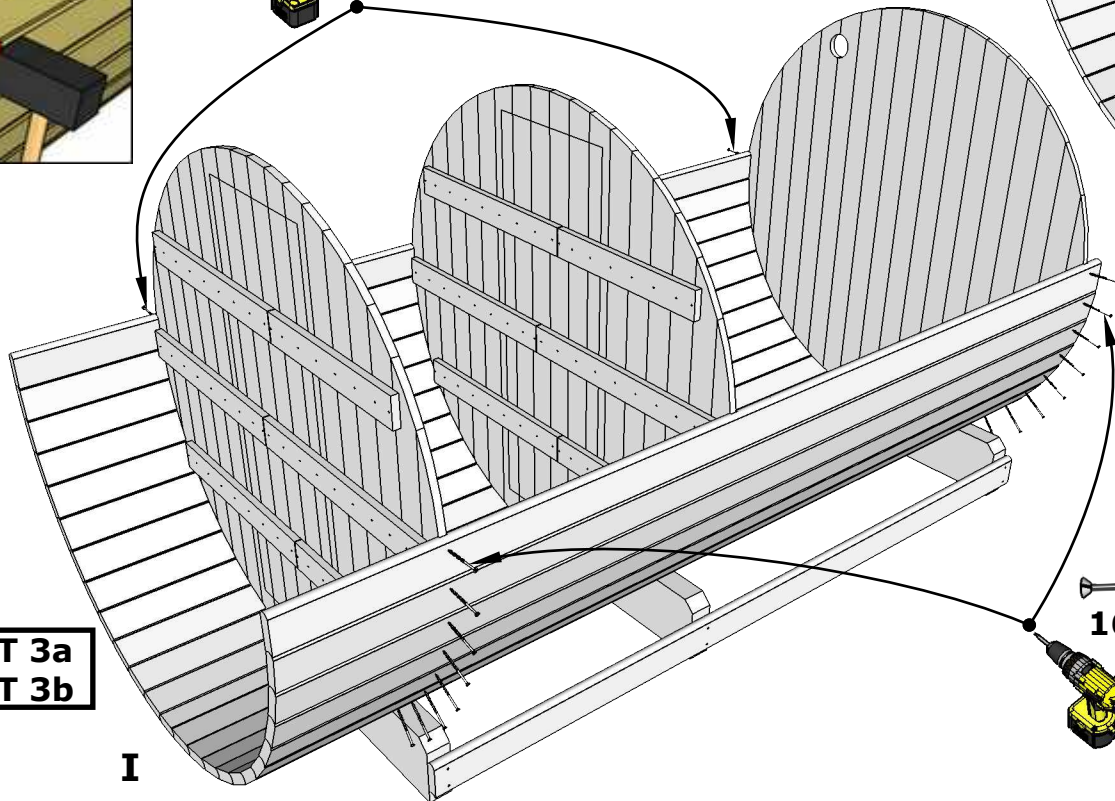


II

8x DET 3a
8x DET 3b



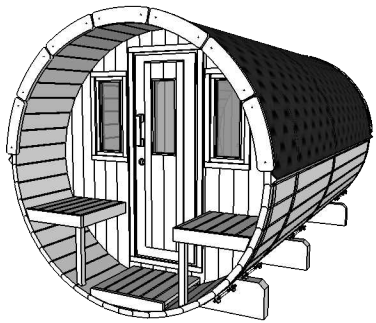
16xH



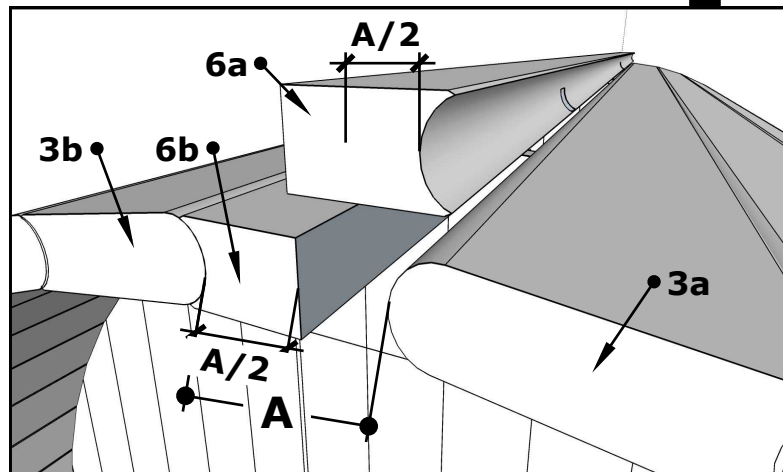
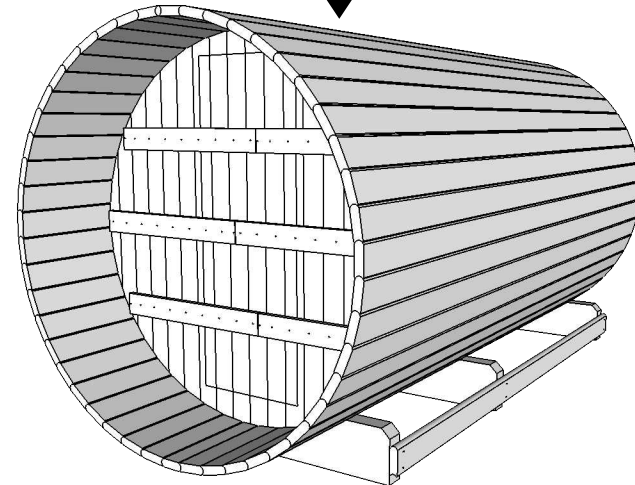
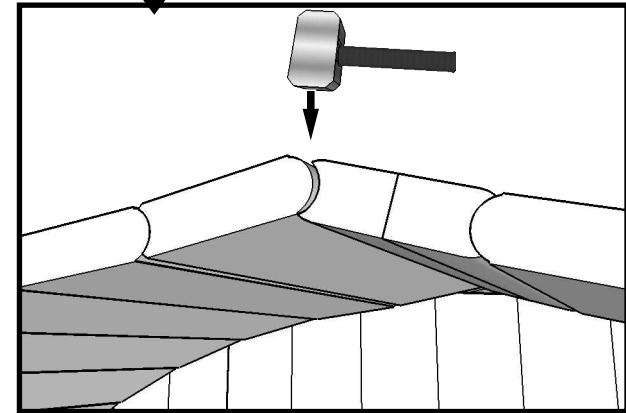
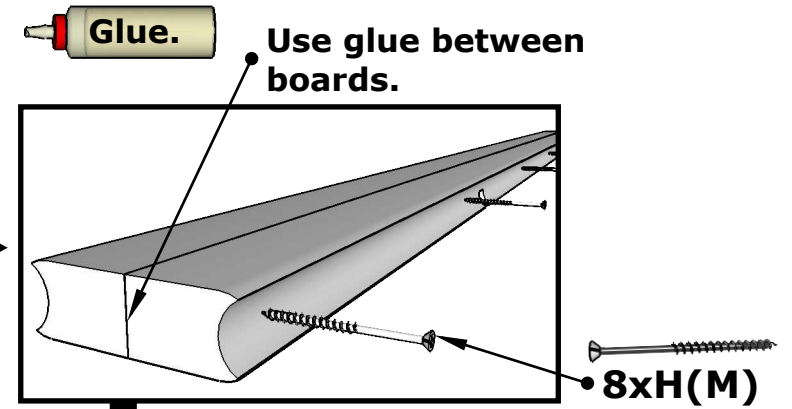
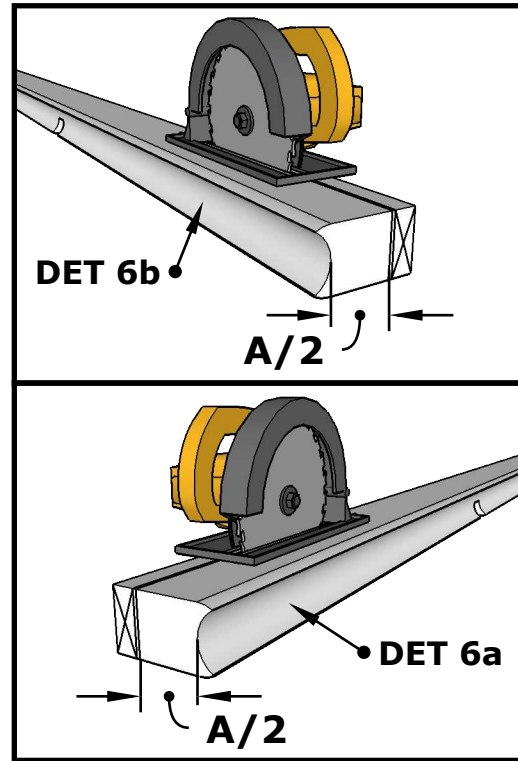
I

6.

Sauna 400, D 200

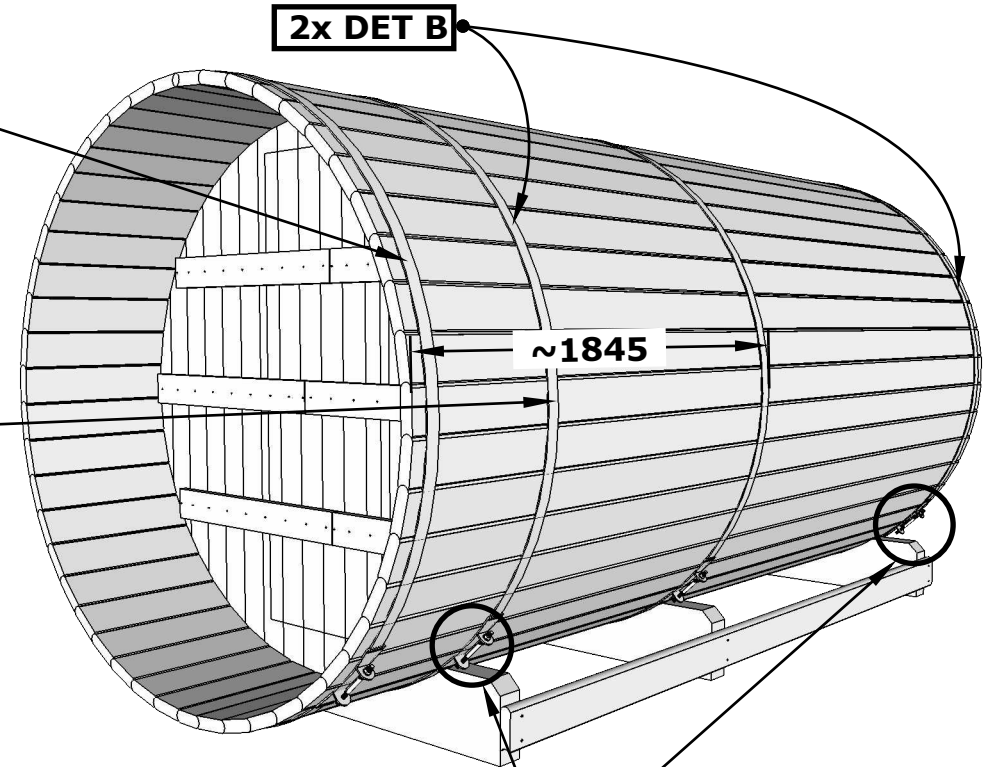
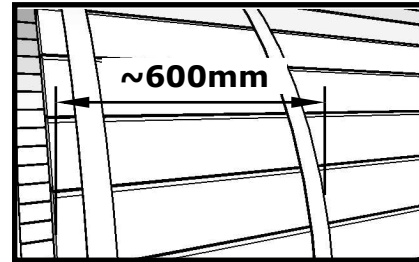
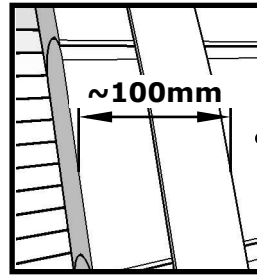
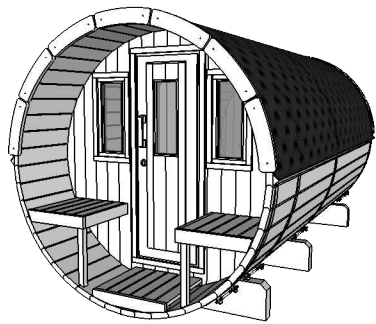


Attention!!!!



6A.

Sauna 400, D 200

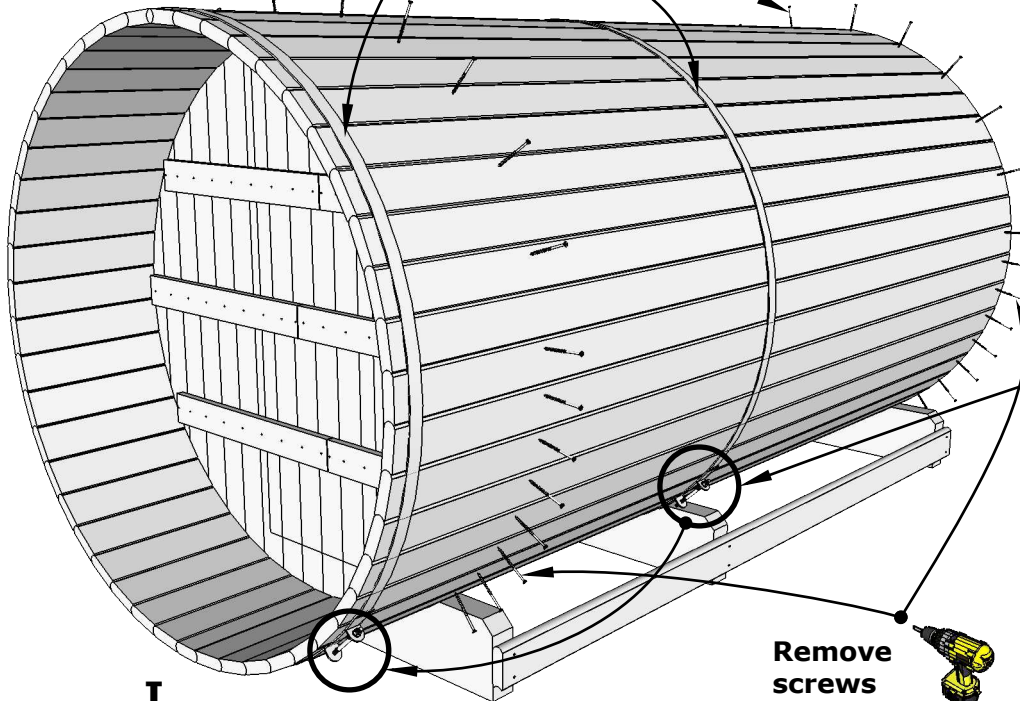


II



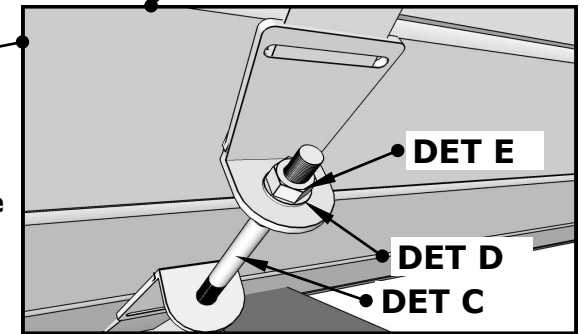
Remove screws

2x DET B



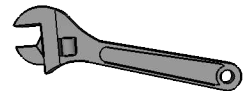
I

Remove screws



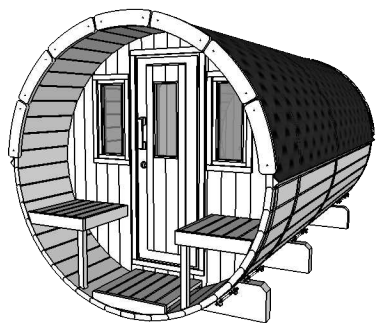
Attention! Do not remove screws, if sauna is made of thermowood.

During assembly and retightening the threaded rods, use oil (Würth HPS 1400 or similar) to avoid "cold welding" and it is also easier tightening.

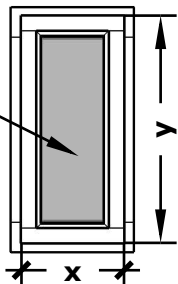


7.

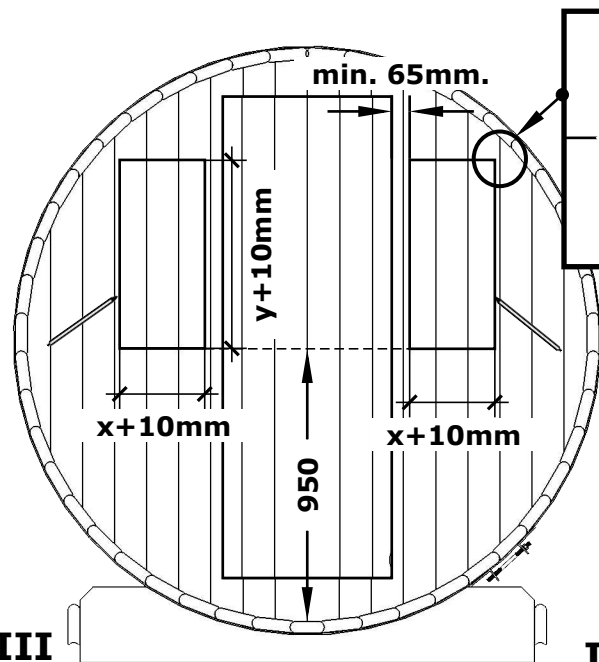
Sauna 400, D 200



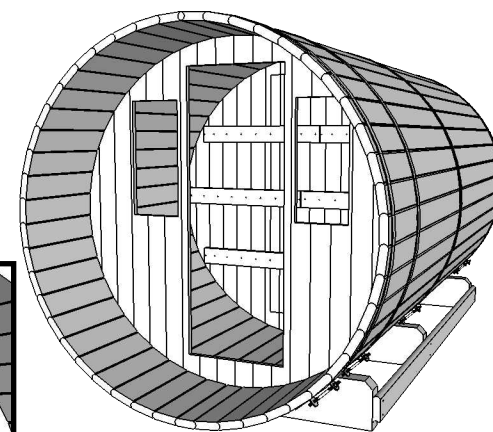
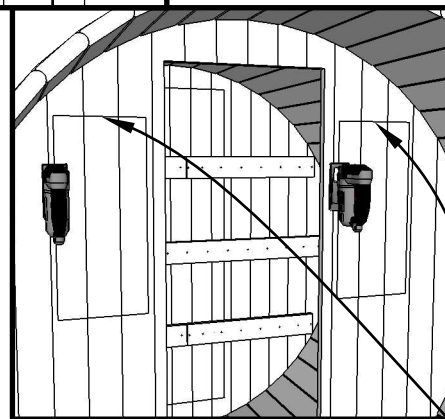
DET 7



III

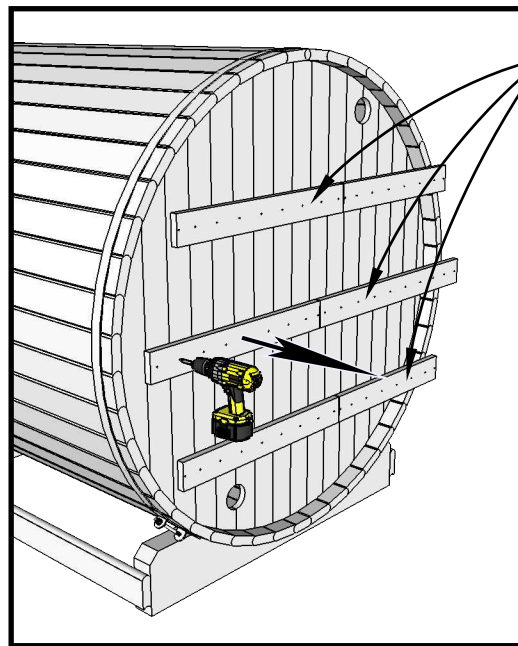
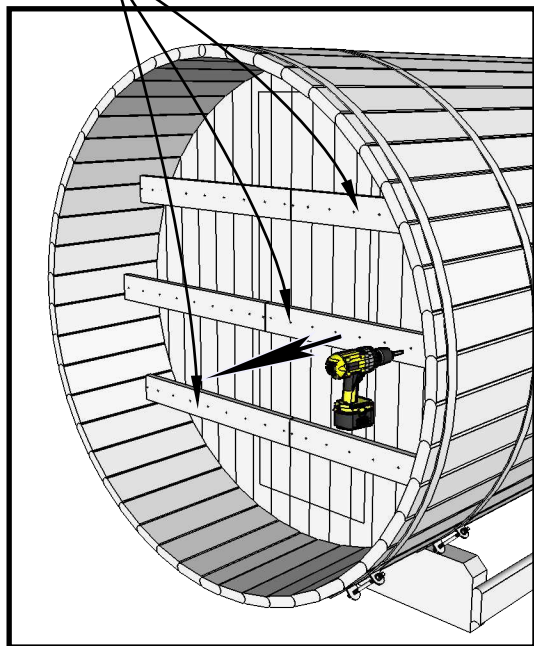


IV



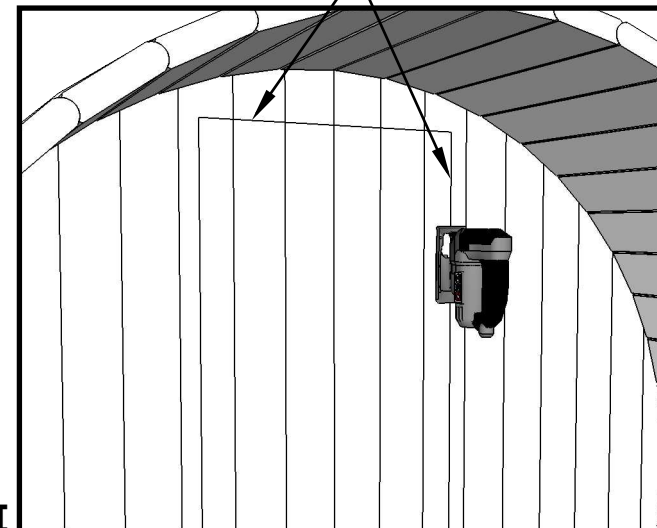
V

Remove all brackets



Remove all brackets

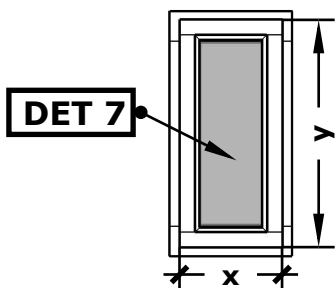
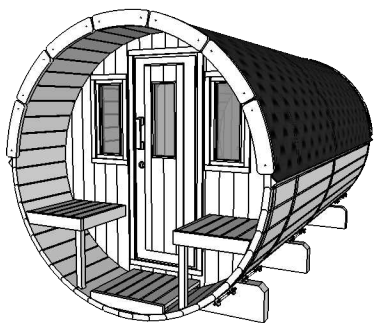
Follow the guidelines



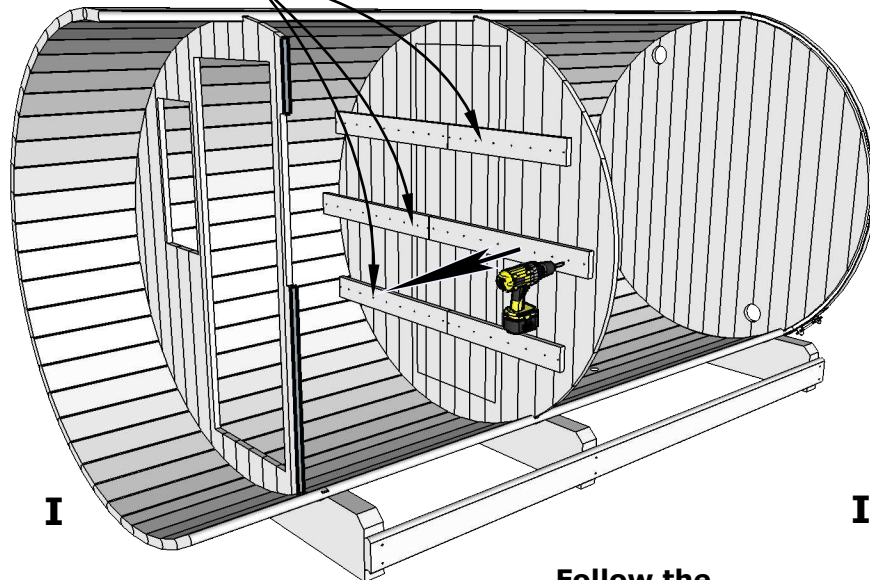
8. I

II

Sauna 400, D 200

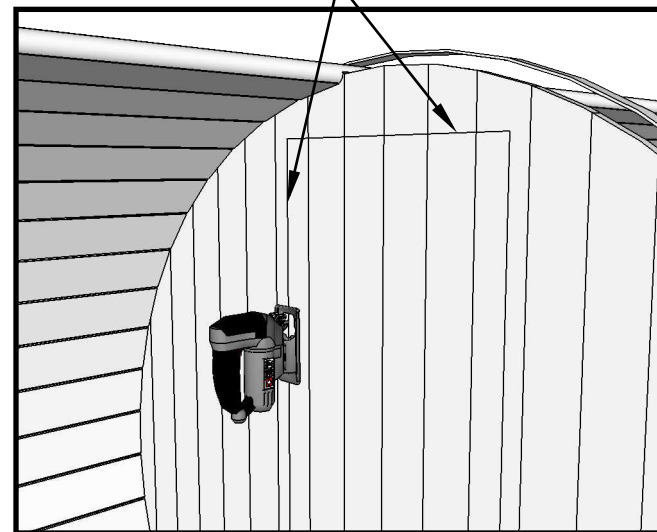


Remove all brackets



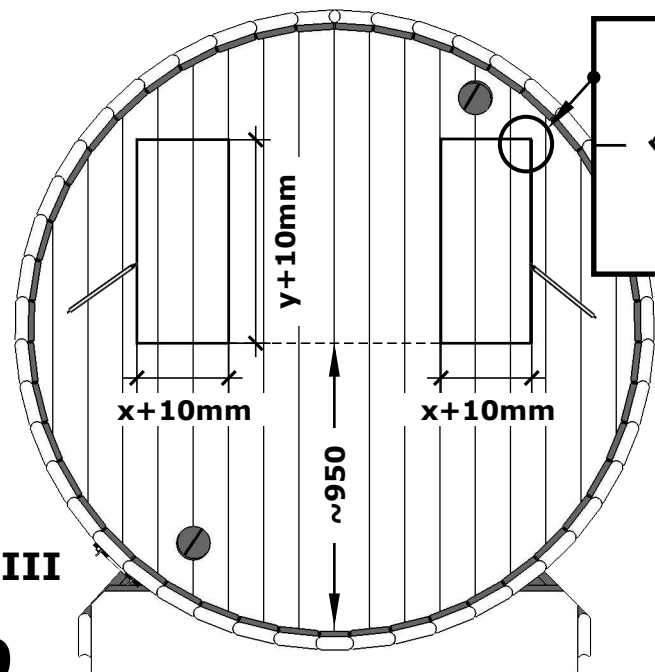
I

Follow the guidelines

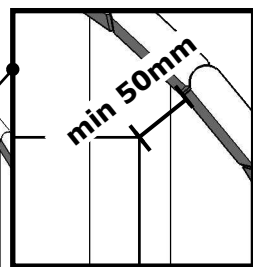


II

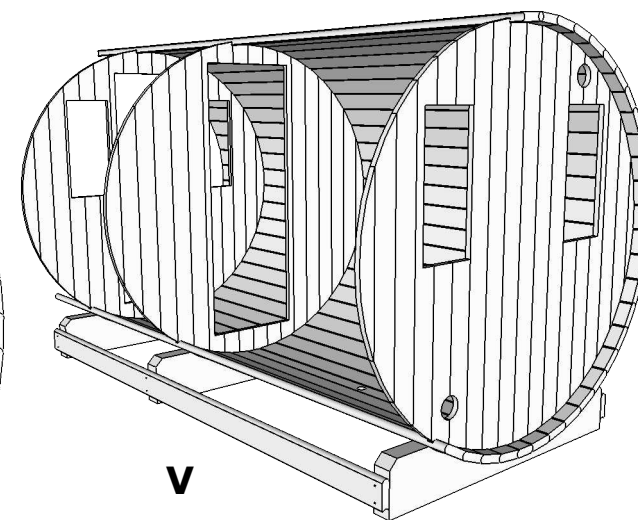
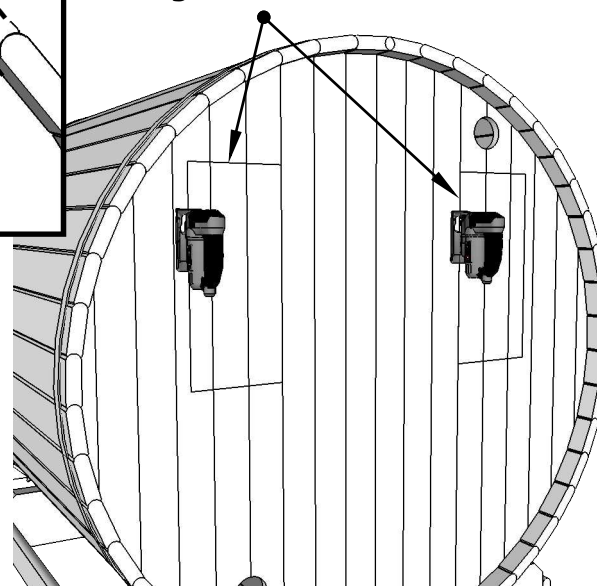
Follow the guidelines



III

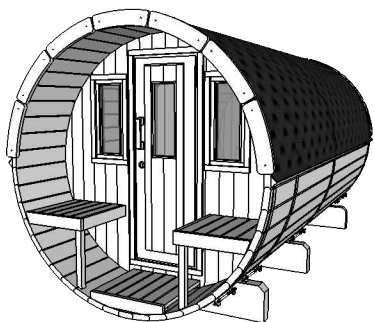


IV



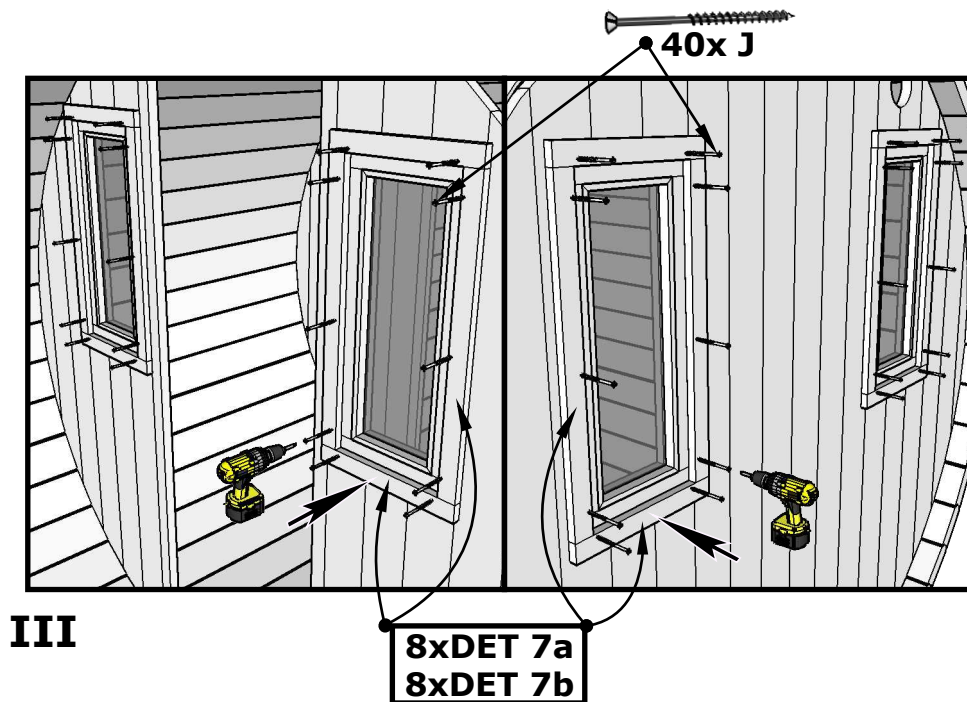
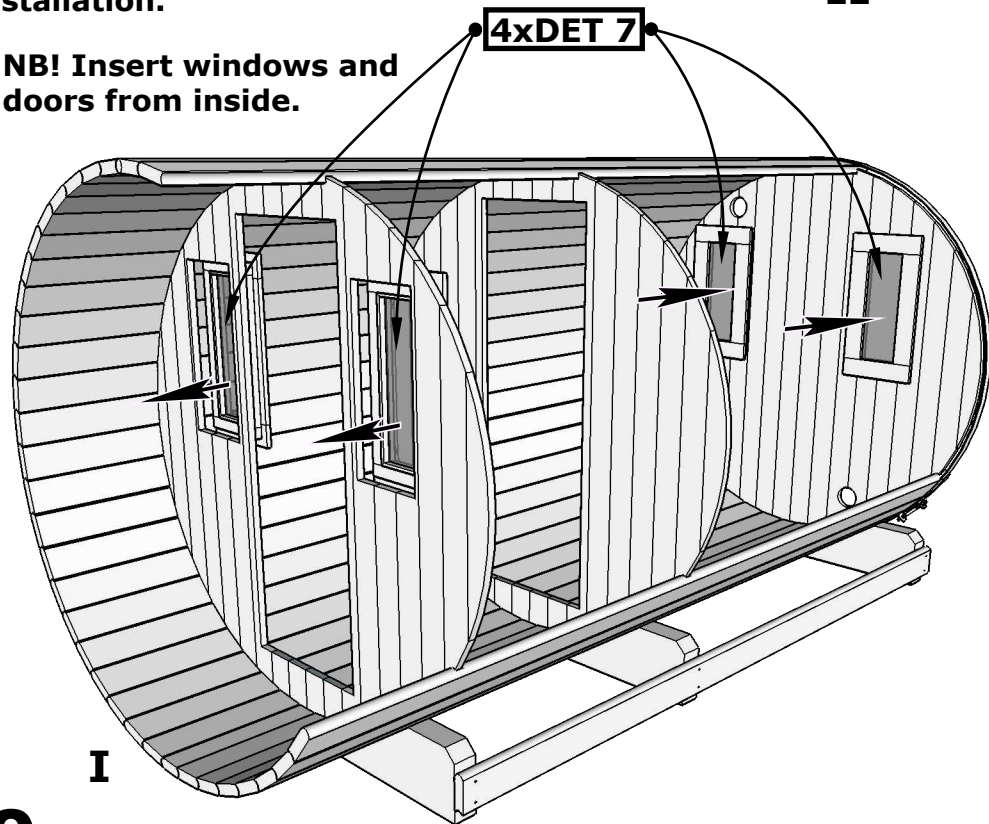
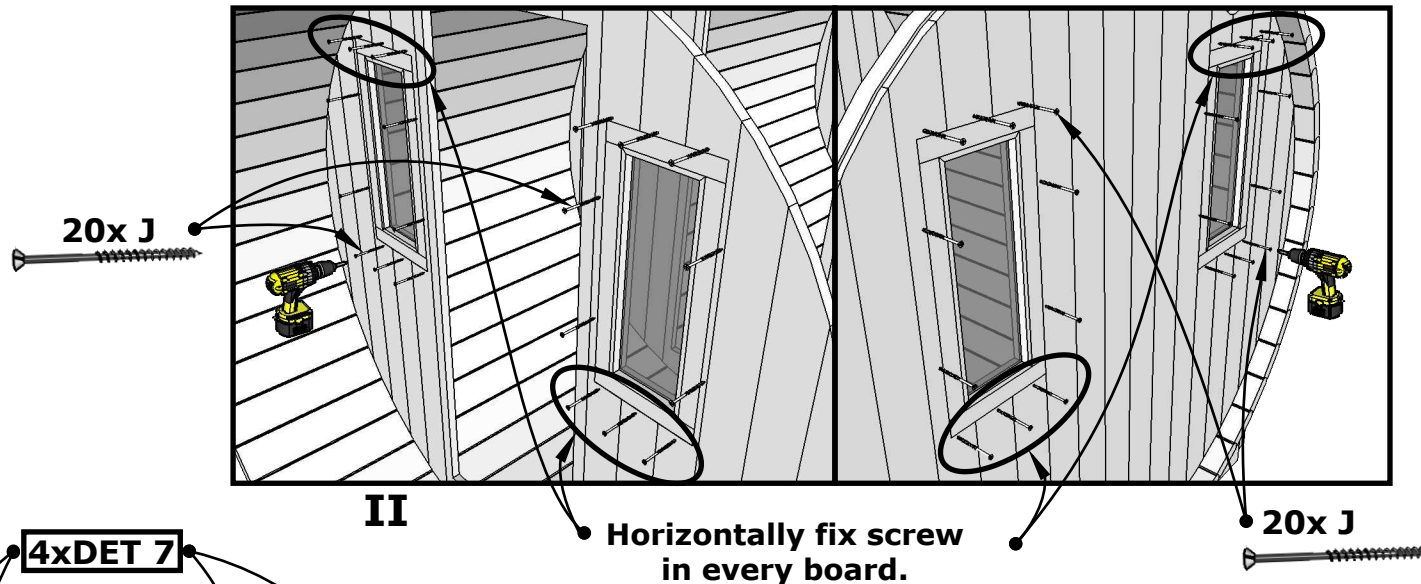
V

Sauna 400, D 200

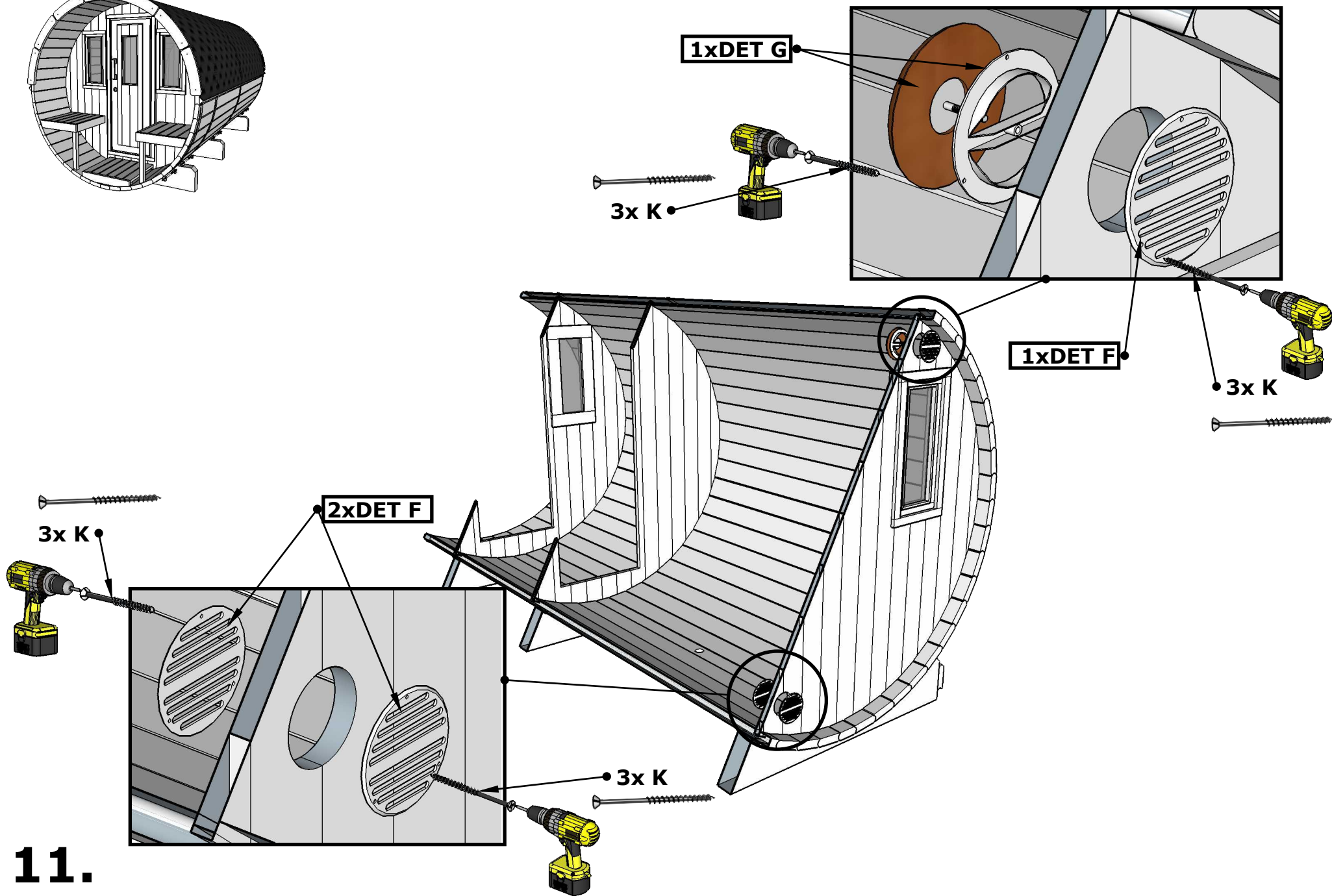
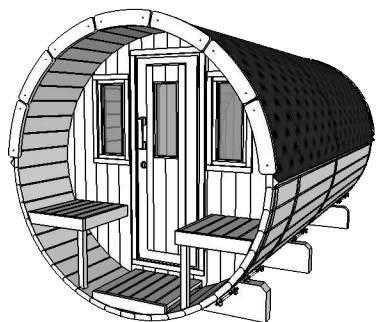


Use waterlevel for doors and windows installation.

NB! Insert windows and doors from inside.

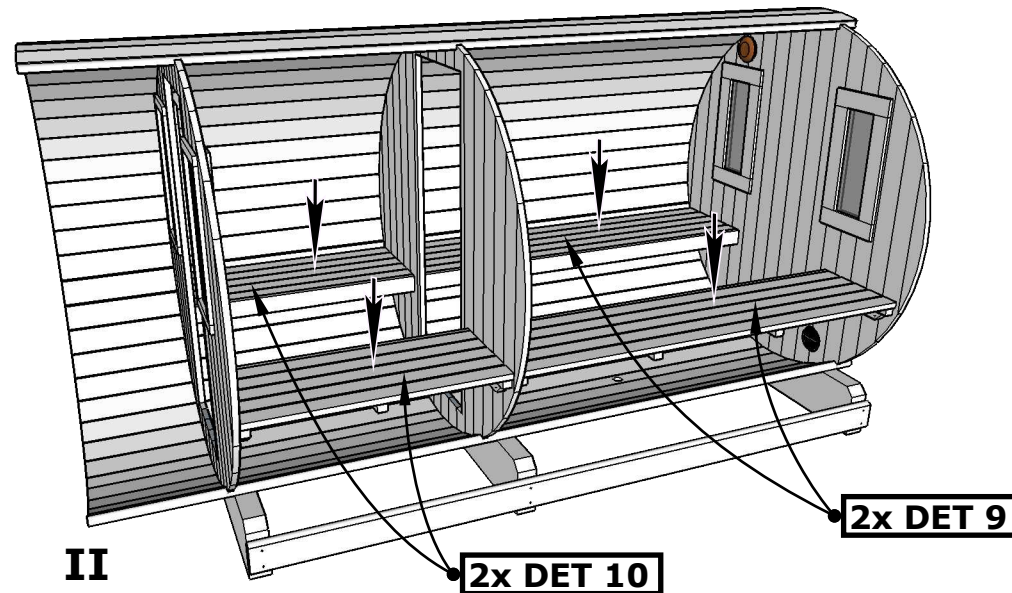
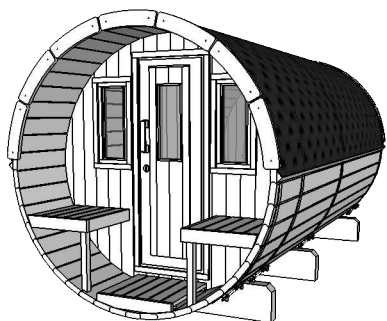


Sauna 400, D 200

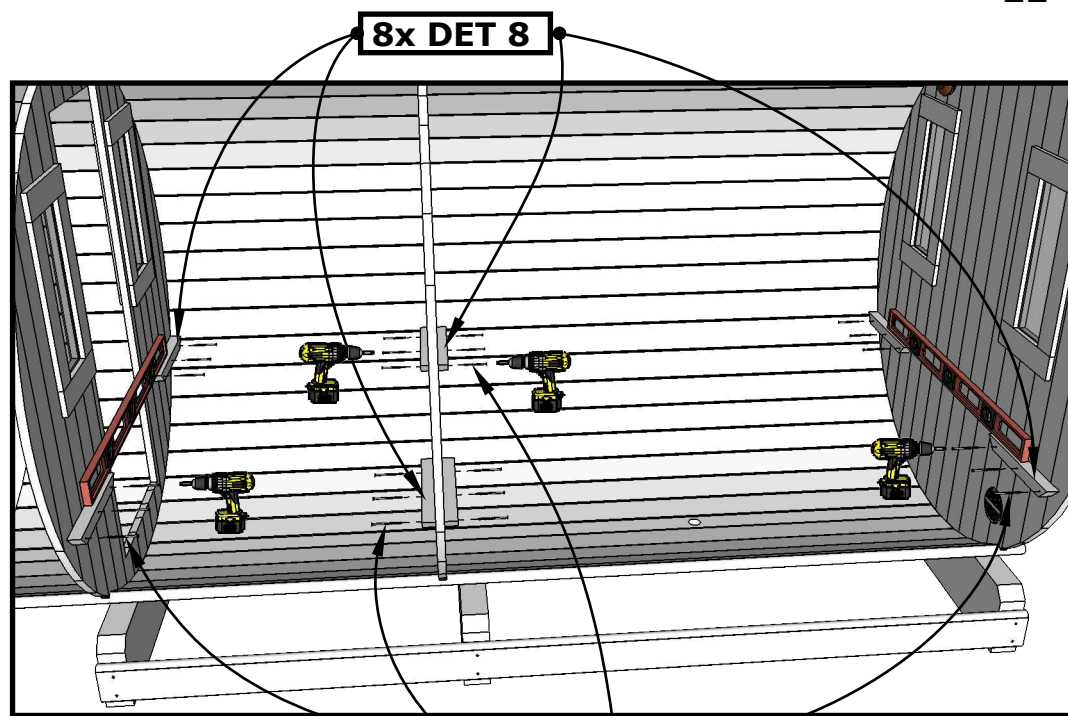


11.

Sauna 400, D 200



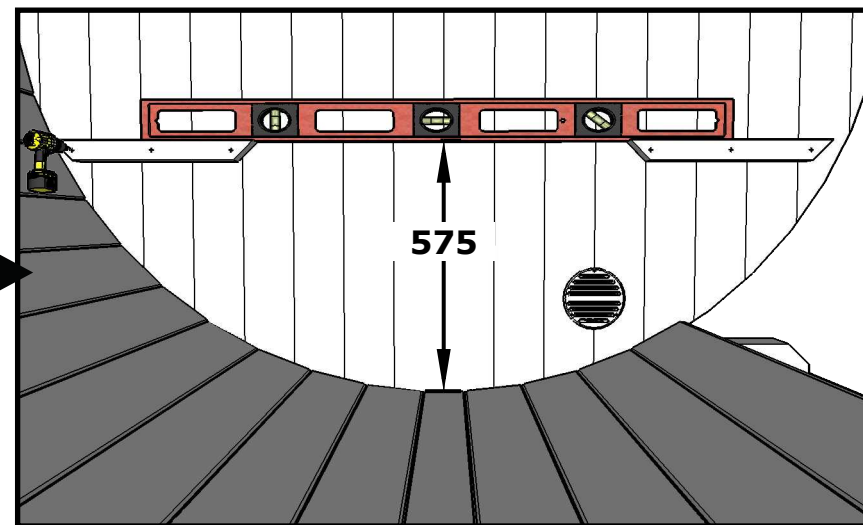
II



I

8x DET 8

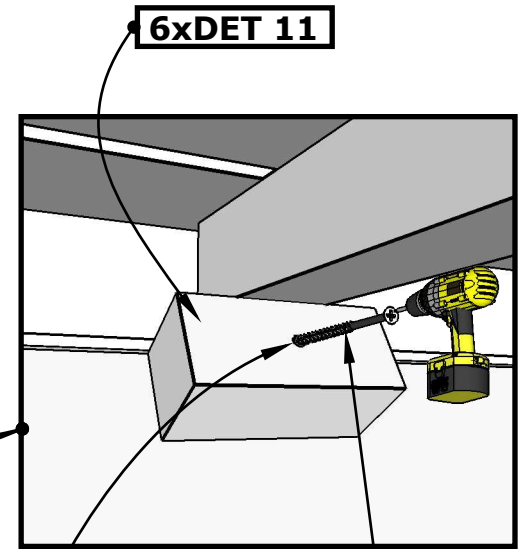
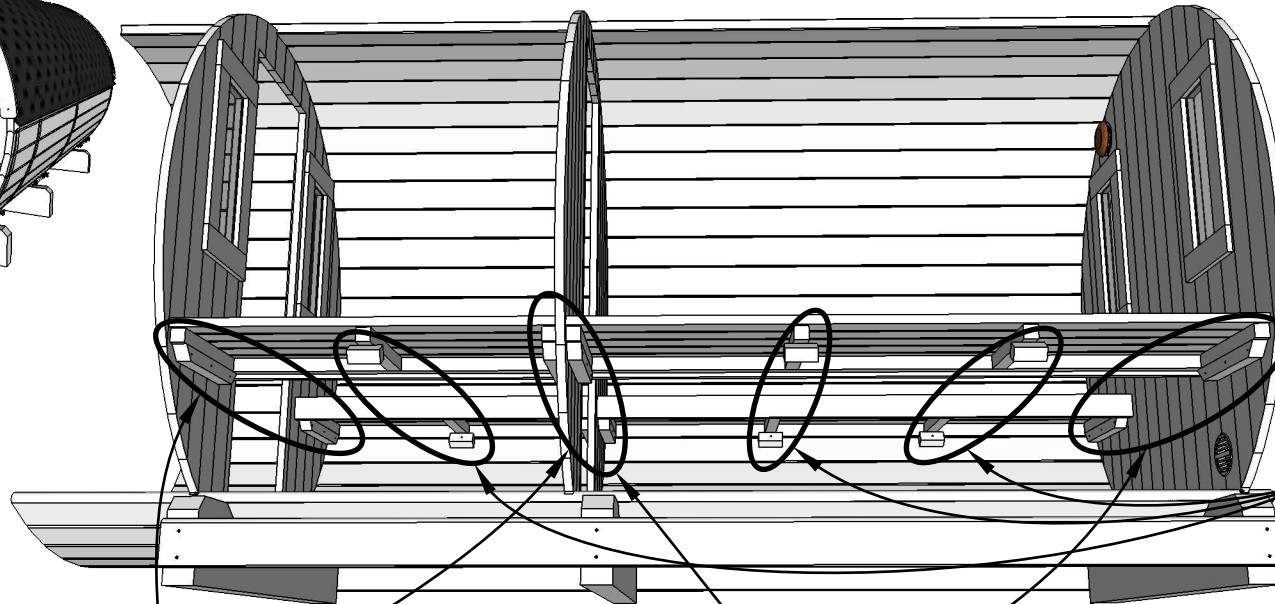
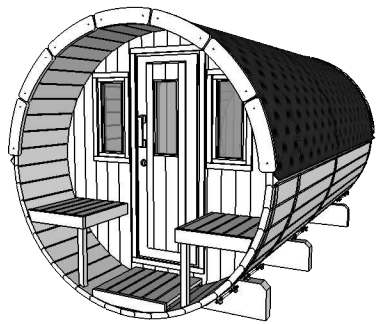
24x H



575

12.

Sauna 400, D 200

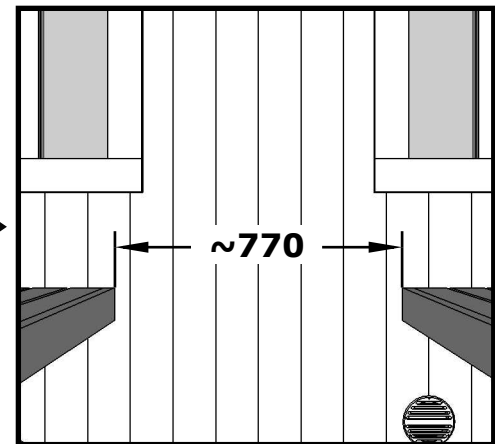


8x H

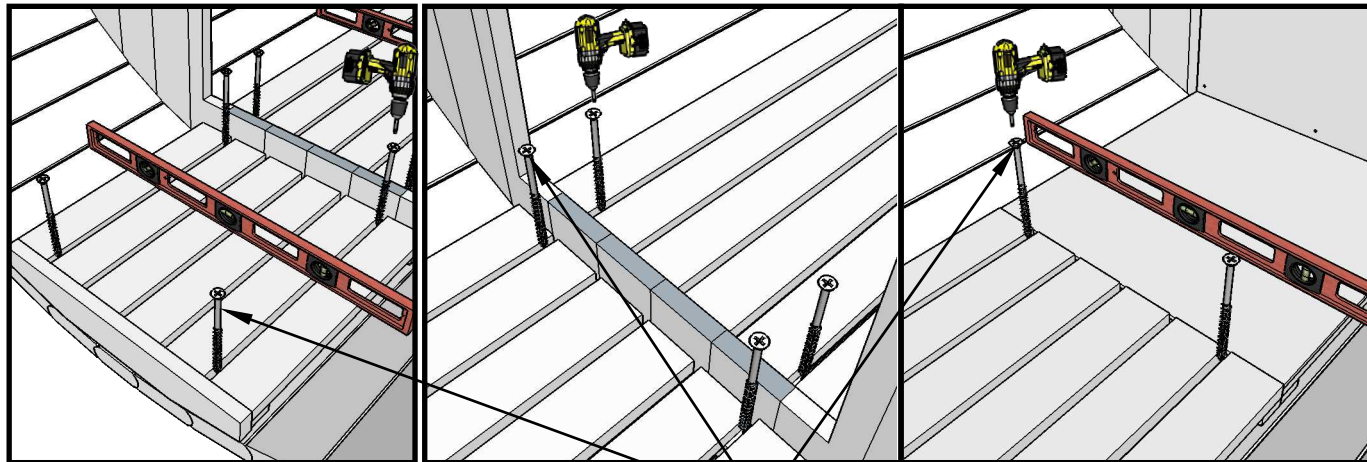
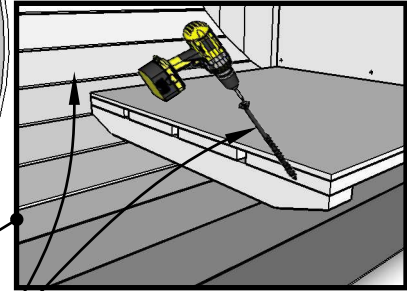
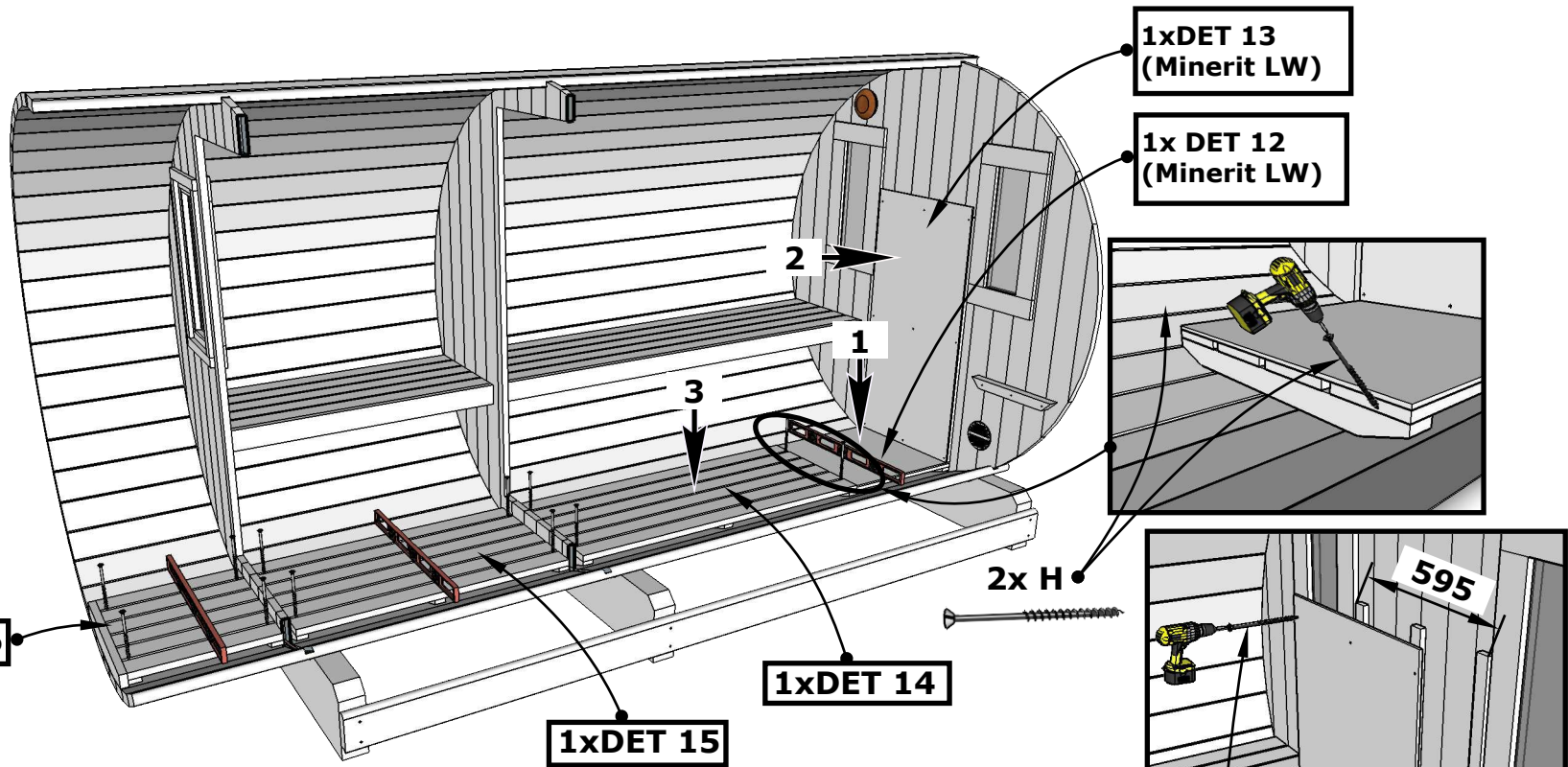
8x H

6x M

• Drill hole Ø4mm before screw.



Sauna 400, D 200

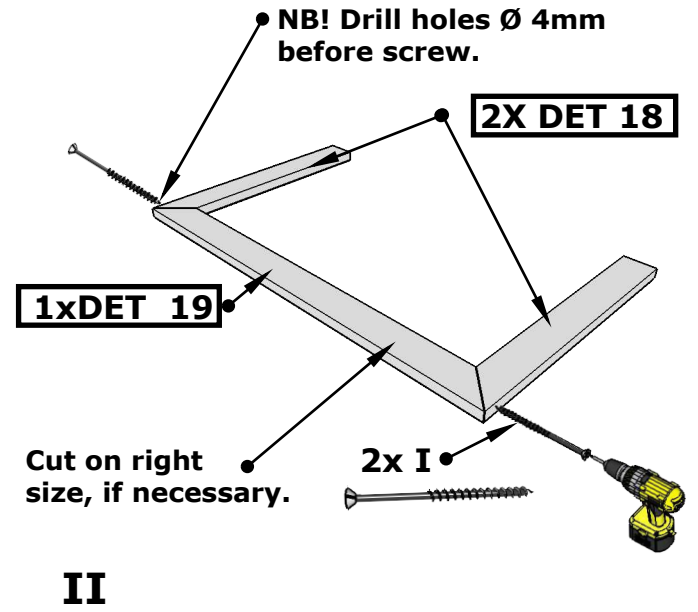
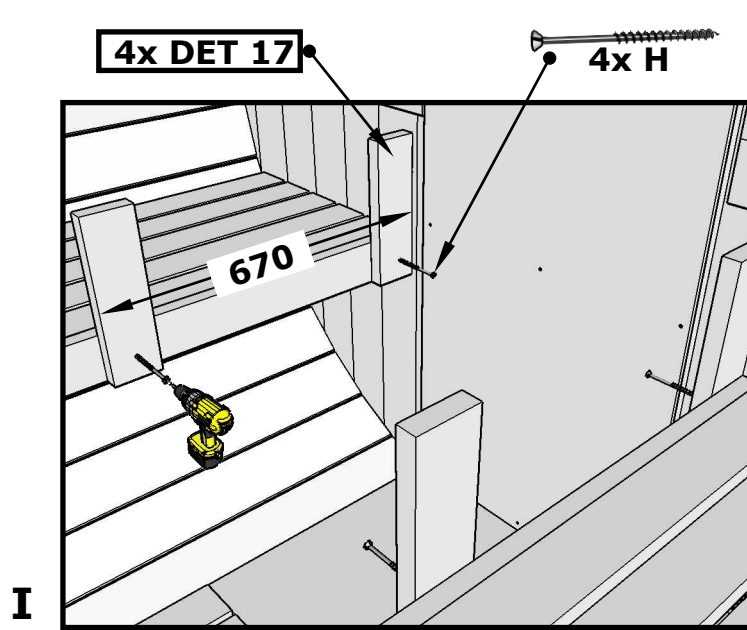
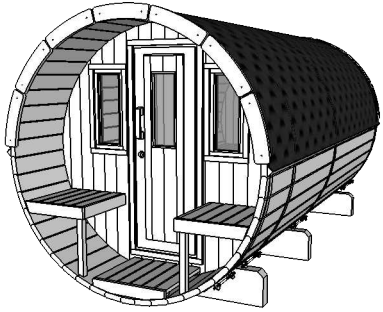


9x I(K) • **3x DET L**

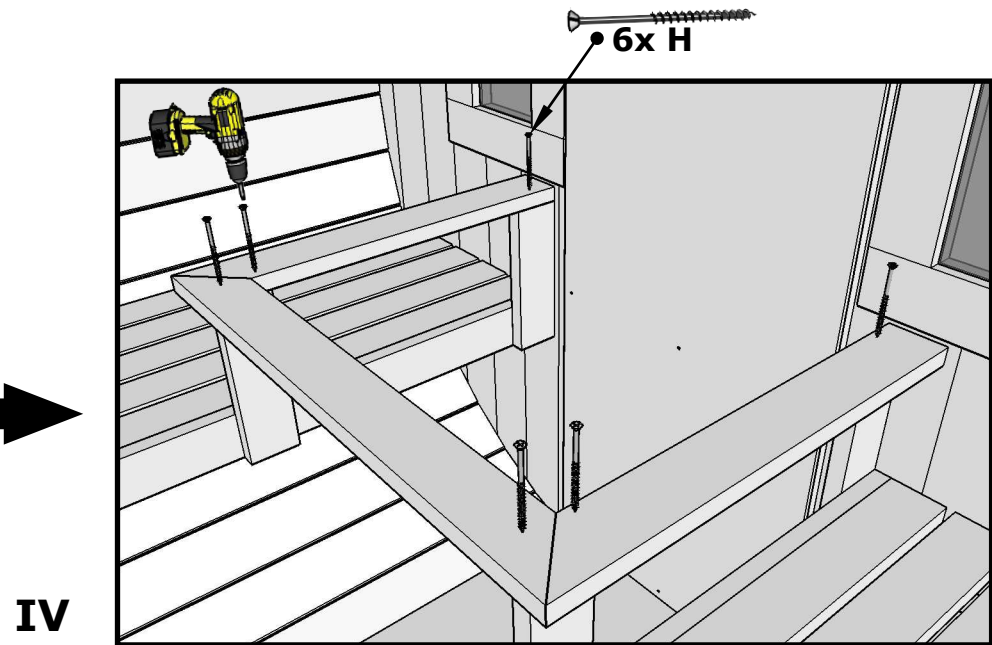
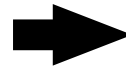
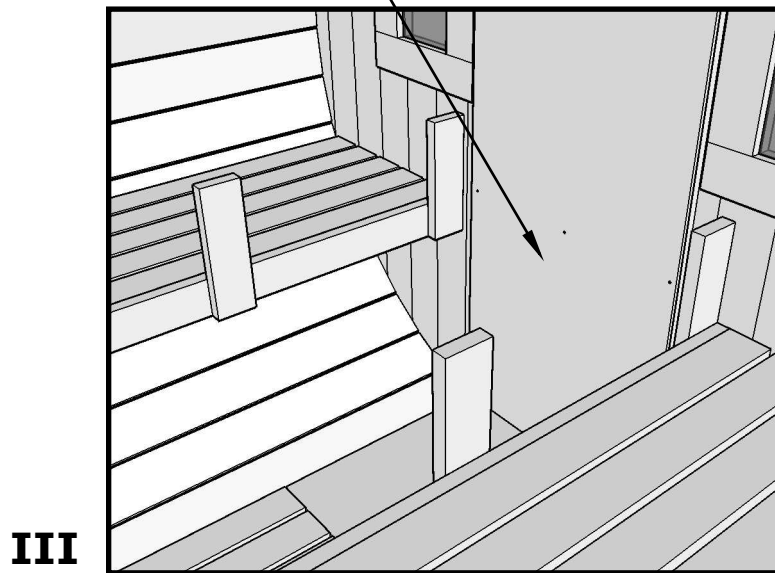
NB! If Your sauna equipped with electrical heater, fix DET 13 directly to the wall (without DET L). Then use screw K.

12x M •

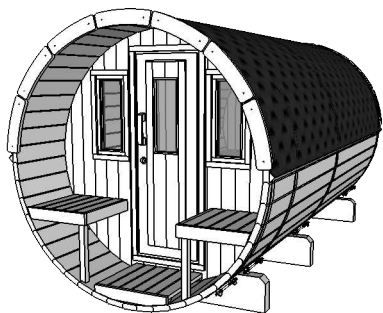
Sauna 400, D 200



NB! Place sauna heater.



Sauna 400, D 200

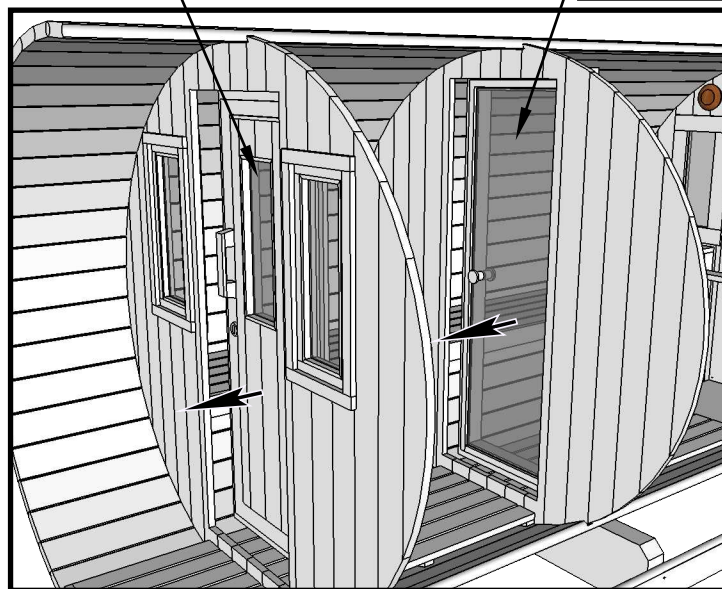


Use waterlevel for doors and windows installation.

NB! Insert windows and doors from inside.

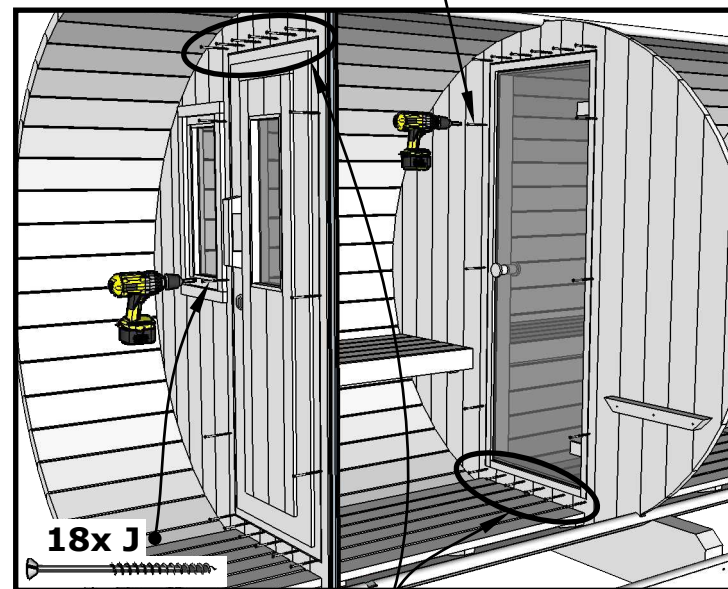
1x DET 20

1x DET 21



I

18x H



II

18x J

Horizontally fix screws in every board.

2x DET 20a
2x DET 20b

14x J



16. III

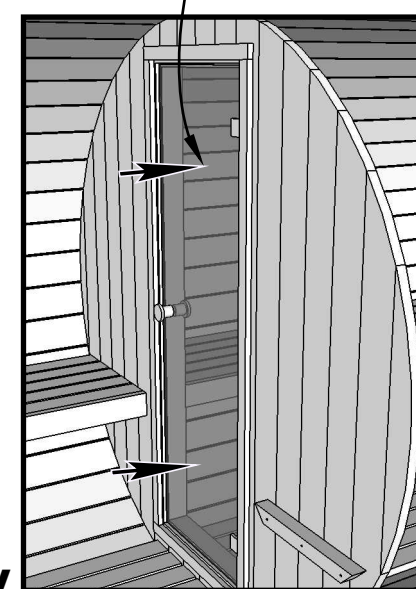
2x DET 21a
2x DET 21b

14x J



IV

Push door against the wall and fix it from inside.



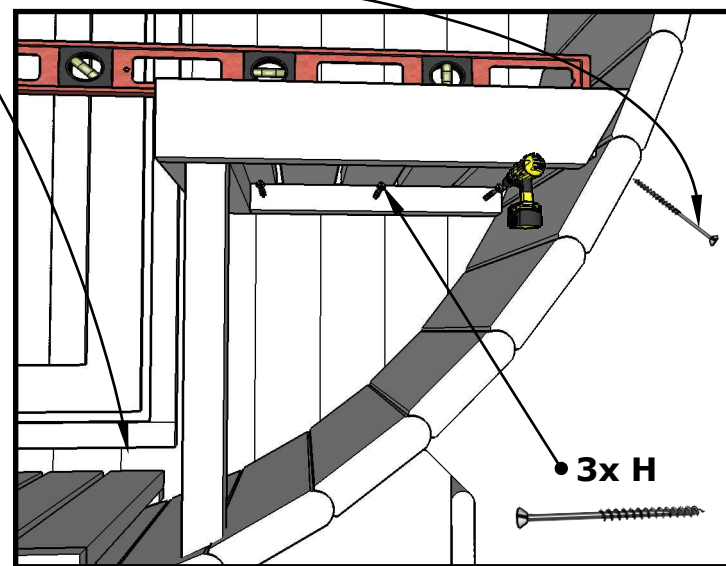
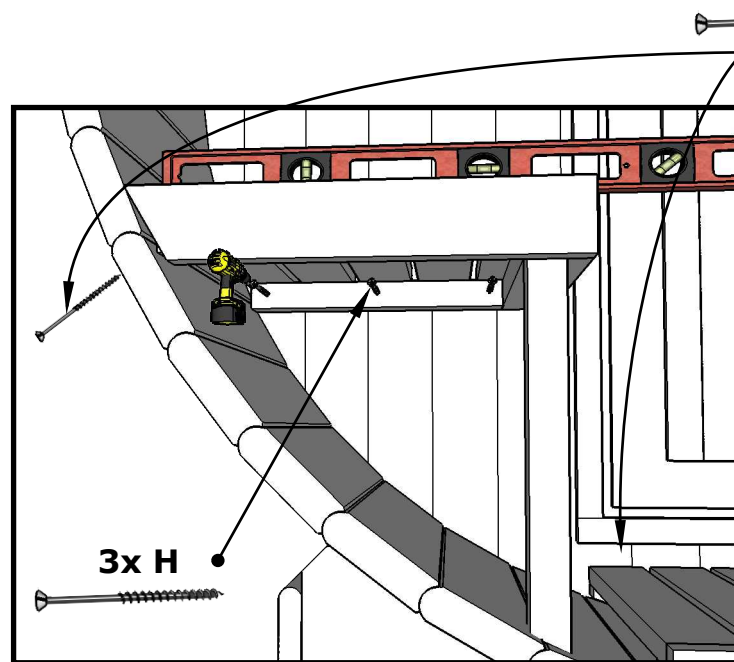
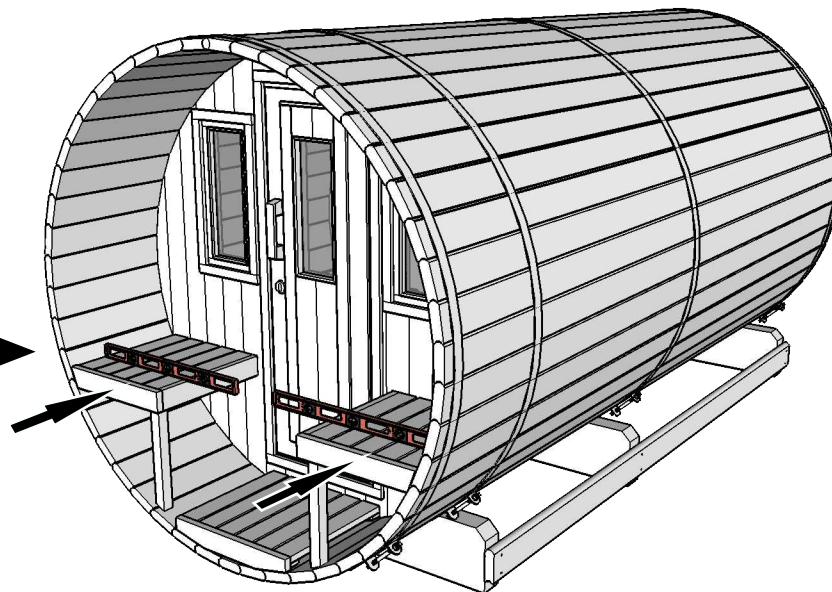
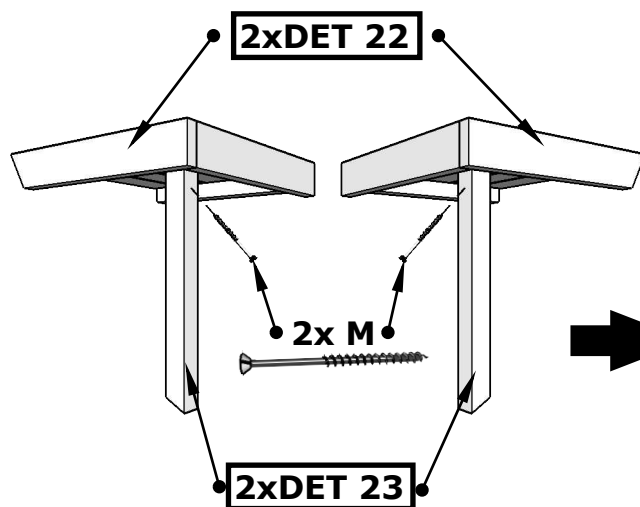
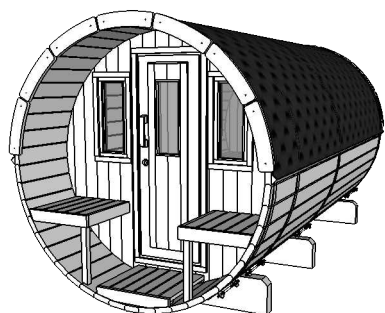
V

8x H

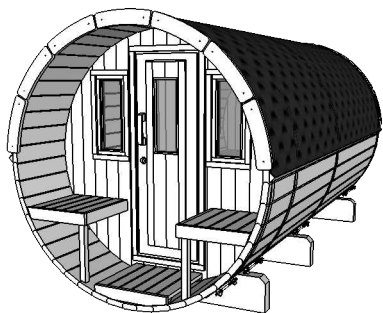


VI

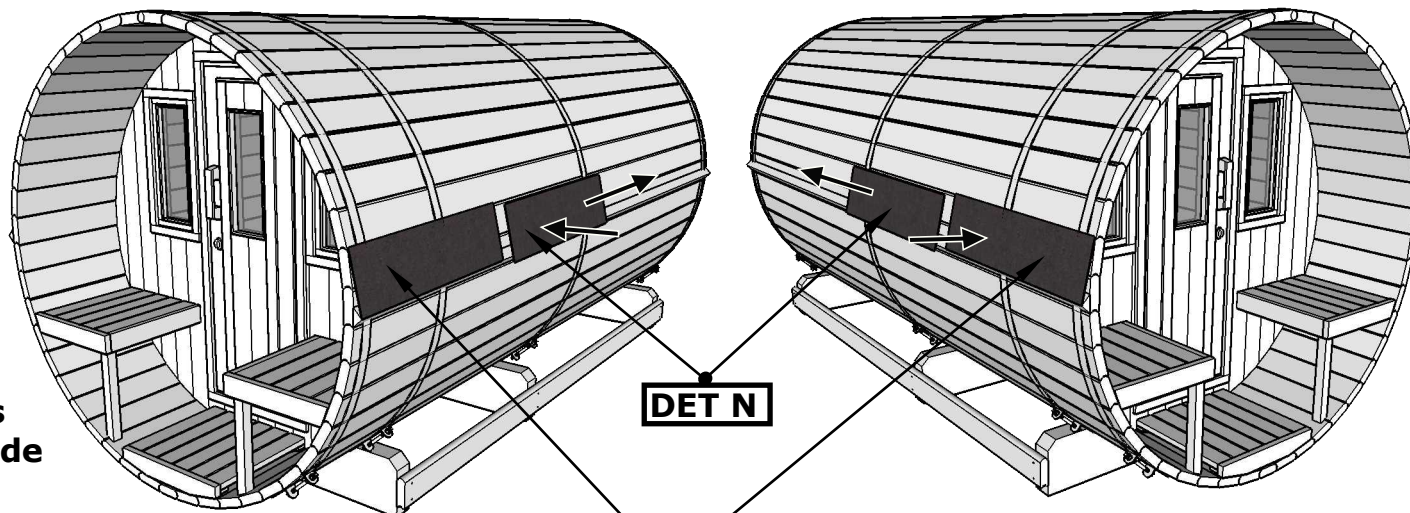
Sauna 400, D 200



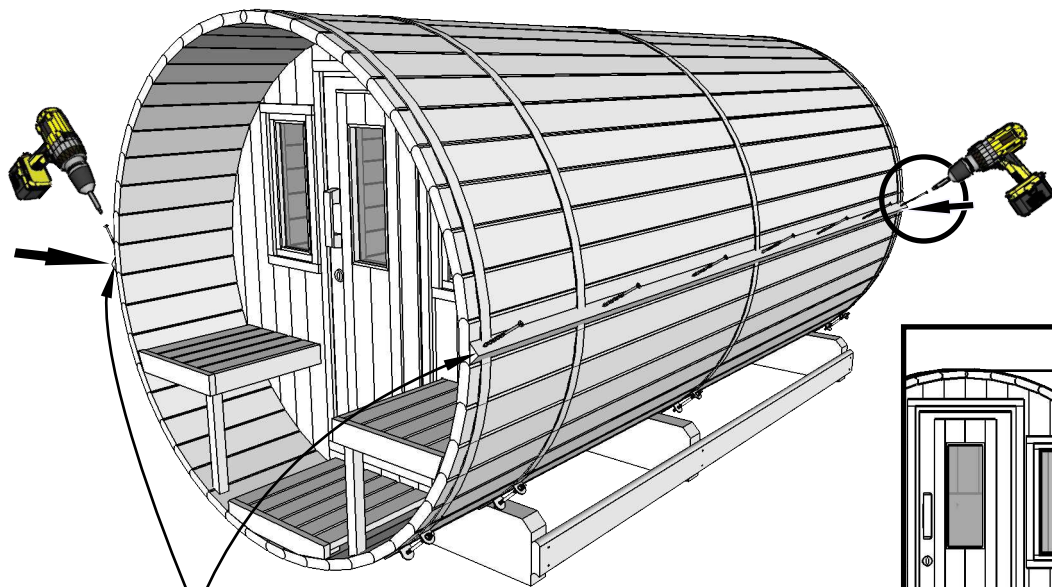
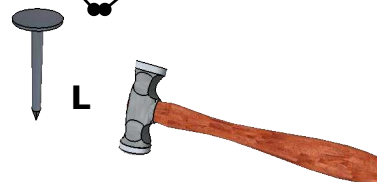
Sauna 400, D 200



NB! Check also shingles installation manual inside shingles package!

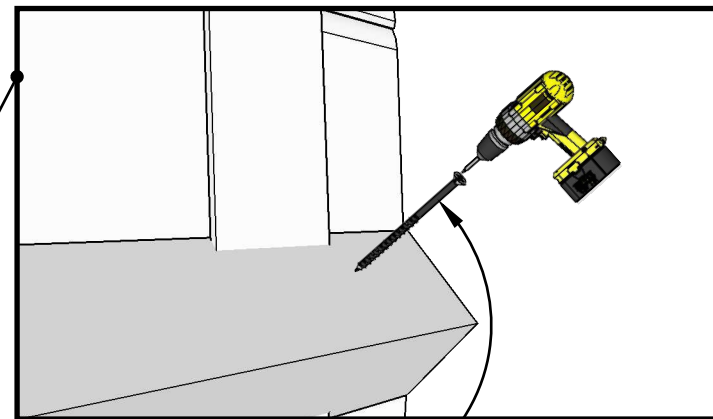
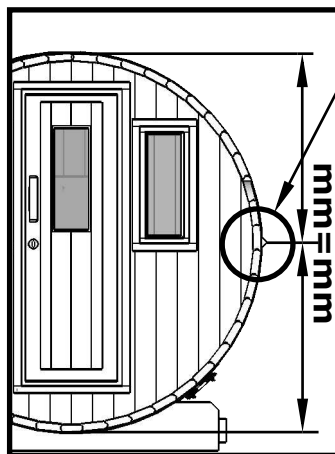


II



2xDET 24

I



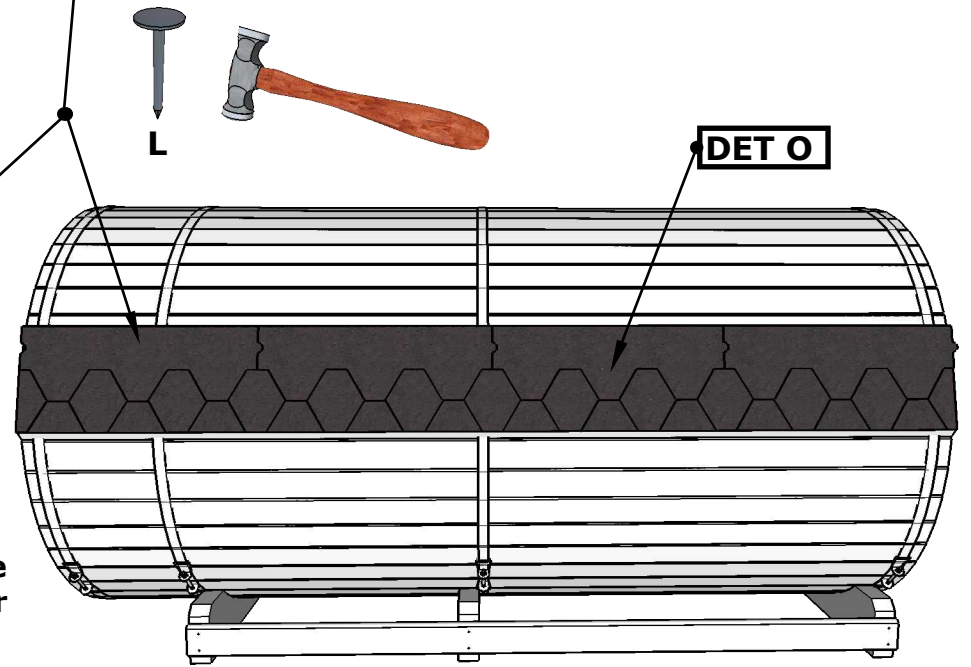
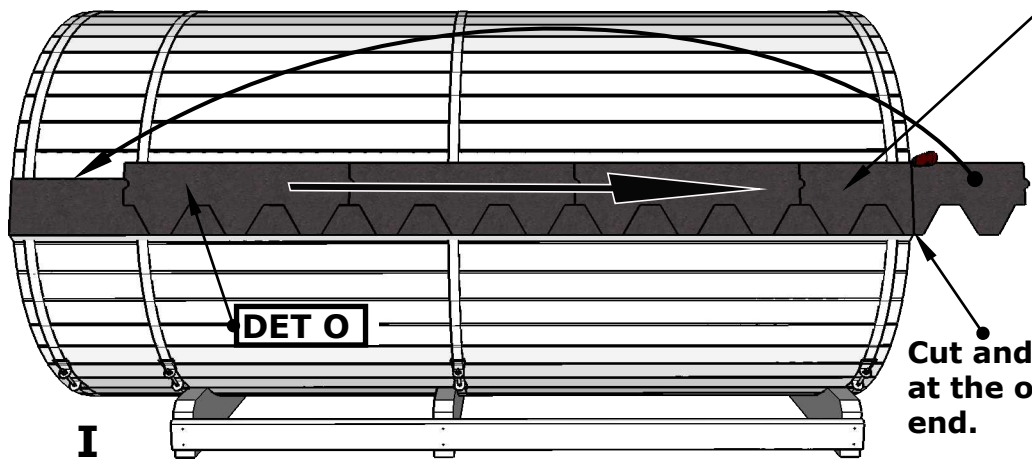
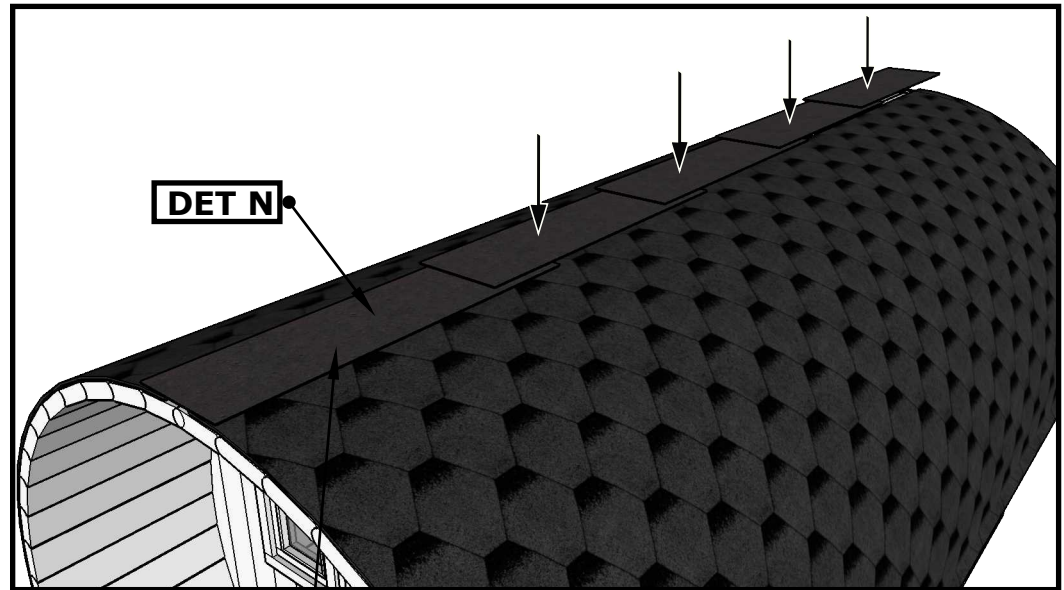
14x H

Sauna 400, D 200



NB! Check also shingles installation manual inside shingles package!

II



Cut and use at the other end.

Sauna 400, D 200

