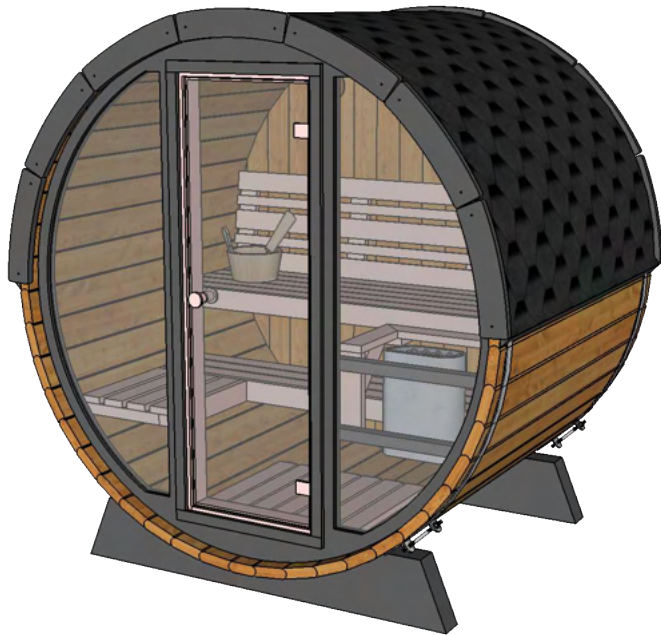
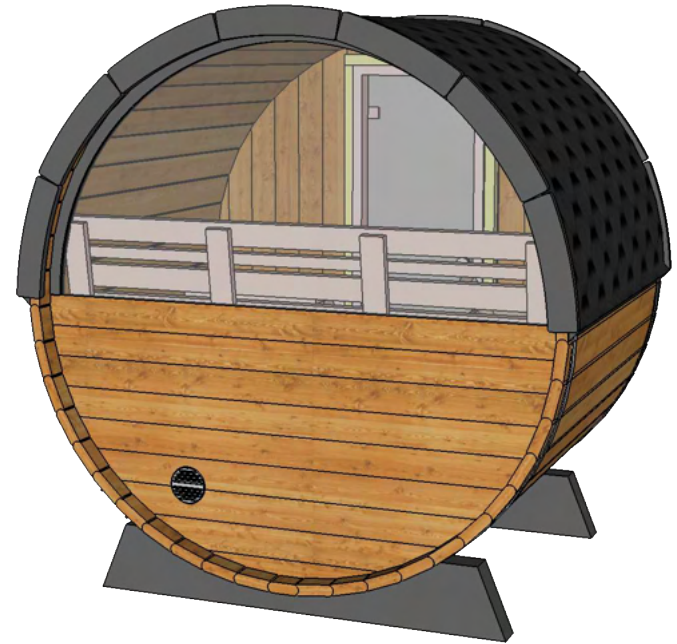
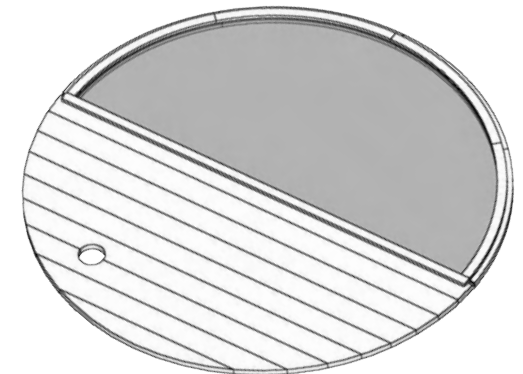
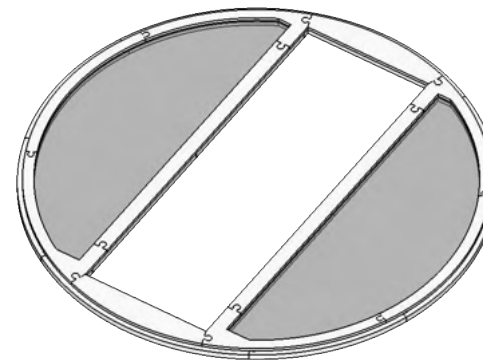
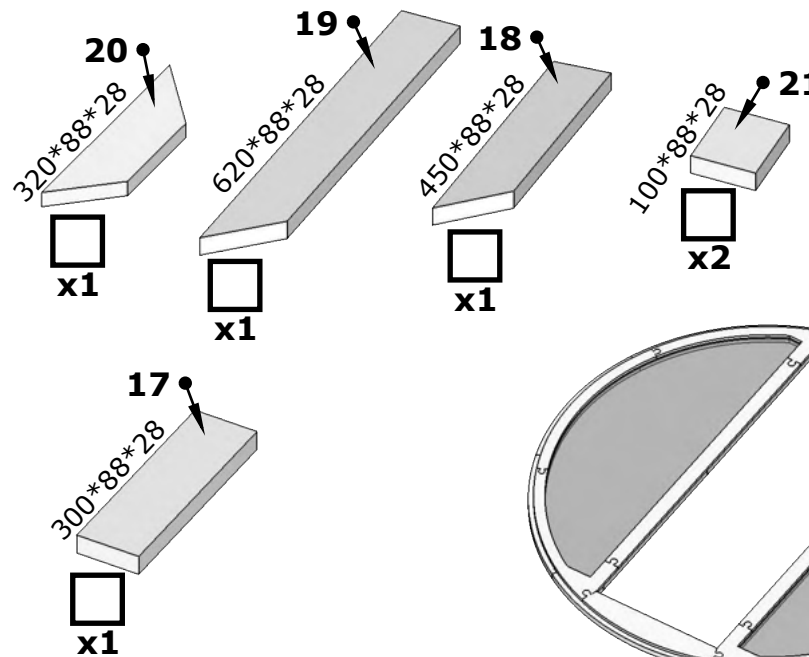
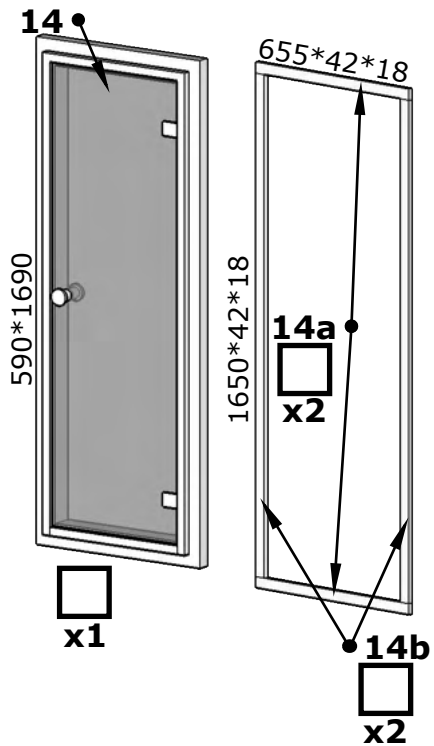
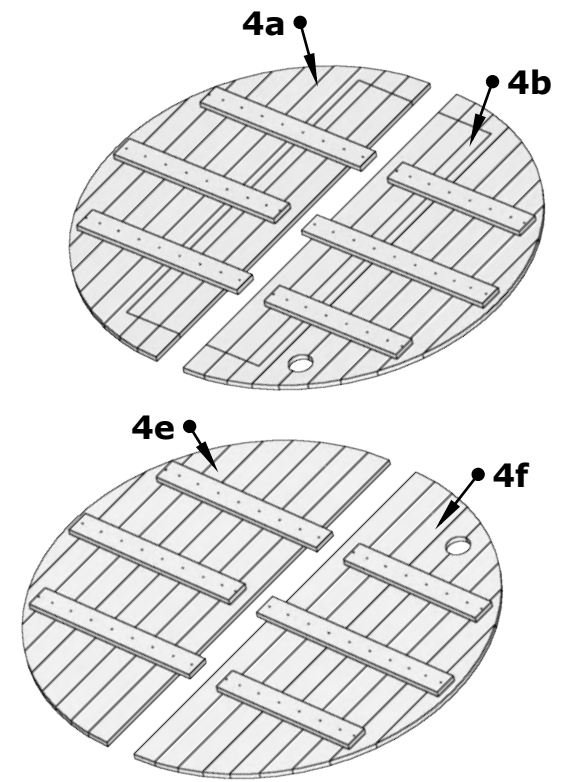
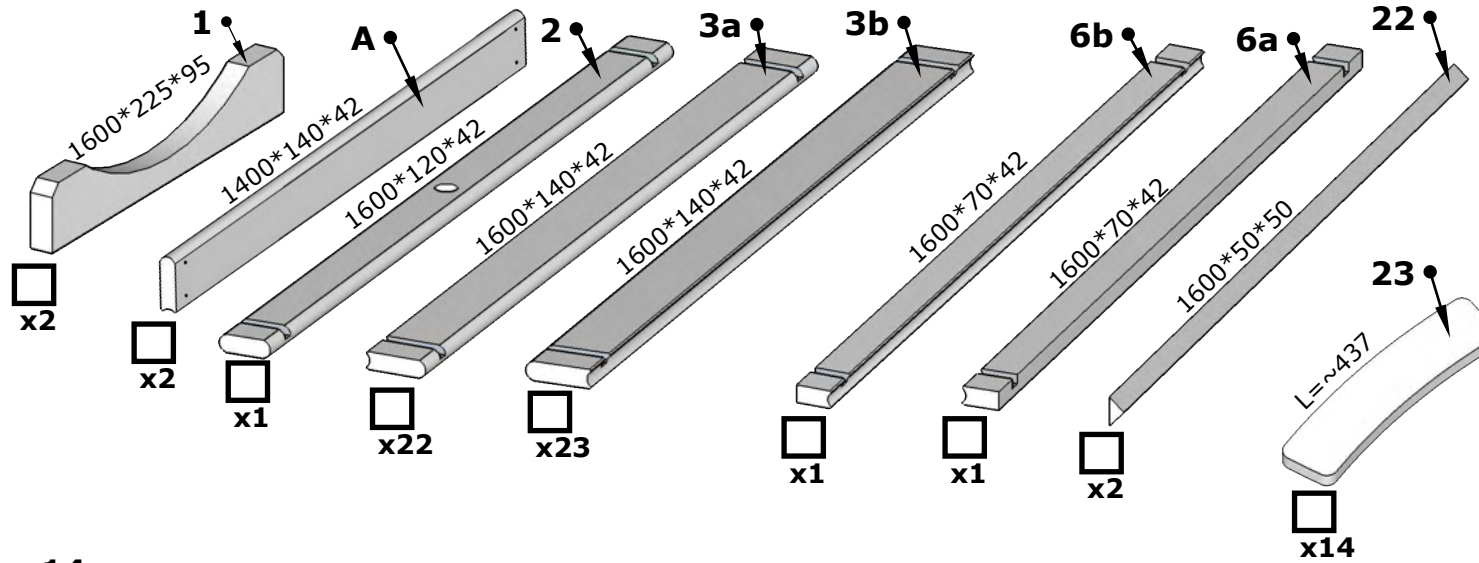


# Sauna 160, Ø200



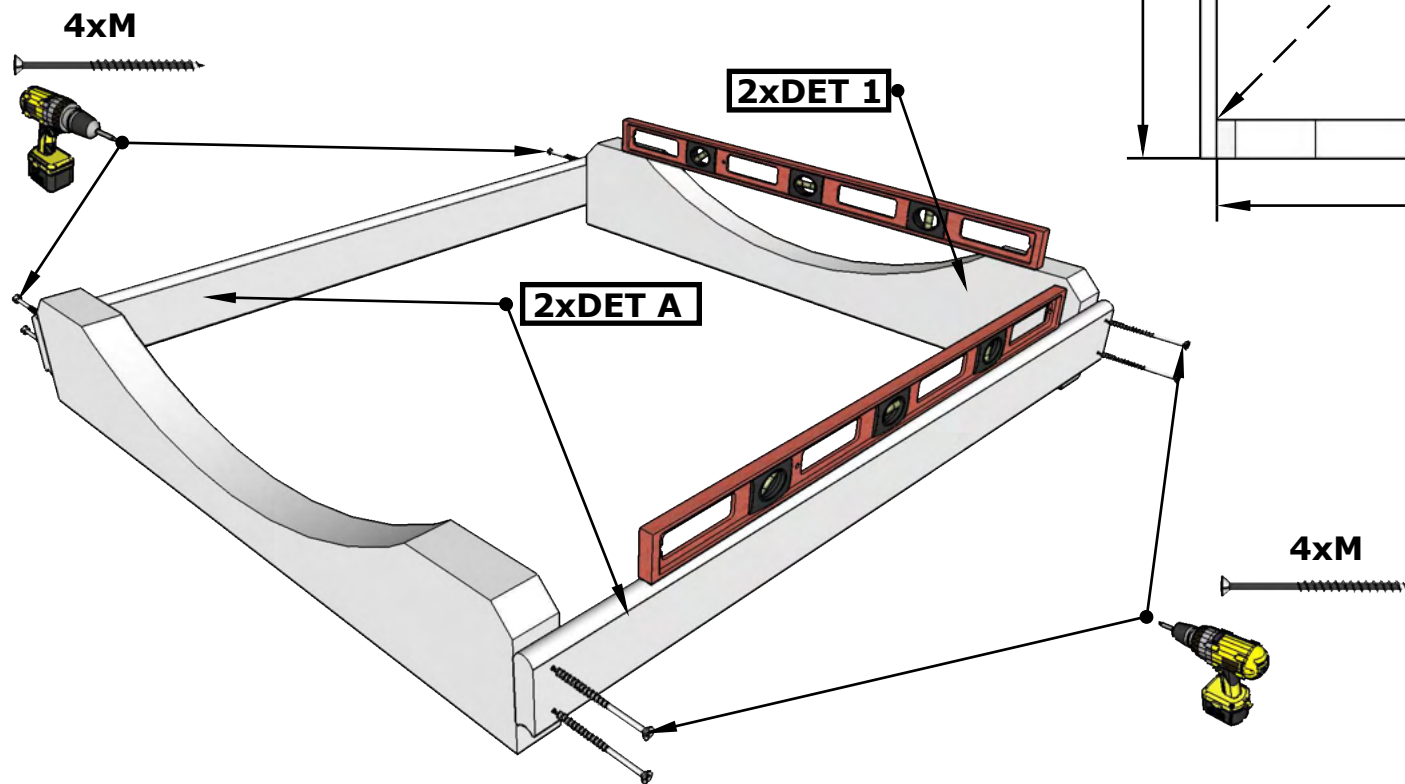
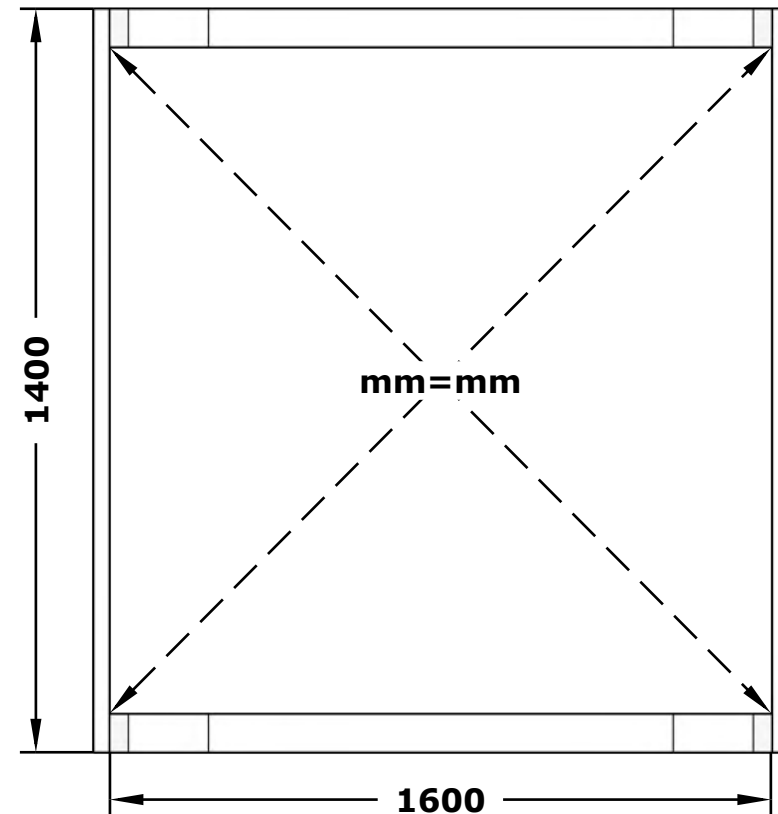
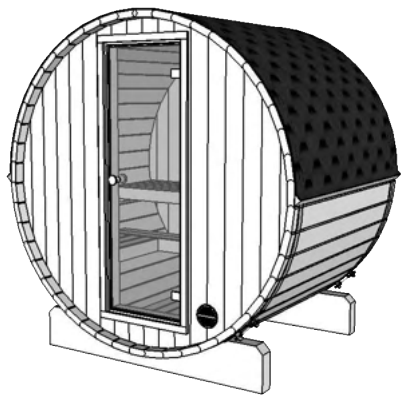
# Sauna 160, Ø200

## Details list nr.1





# Sauna 160, Ø200

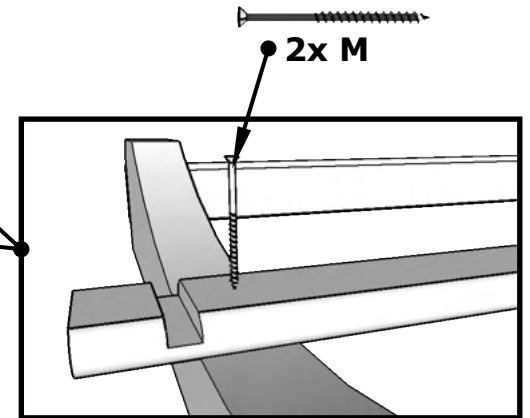
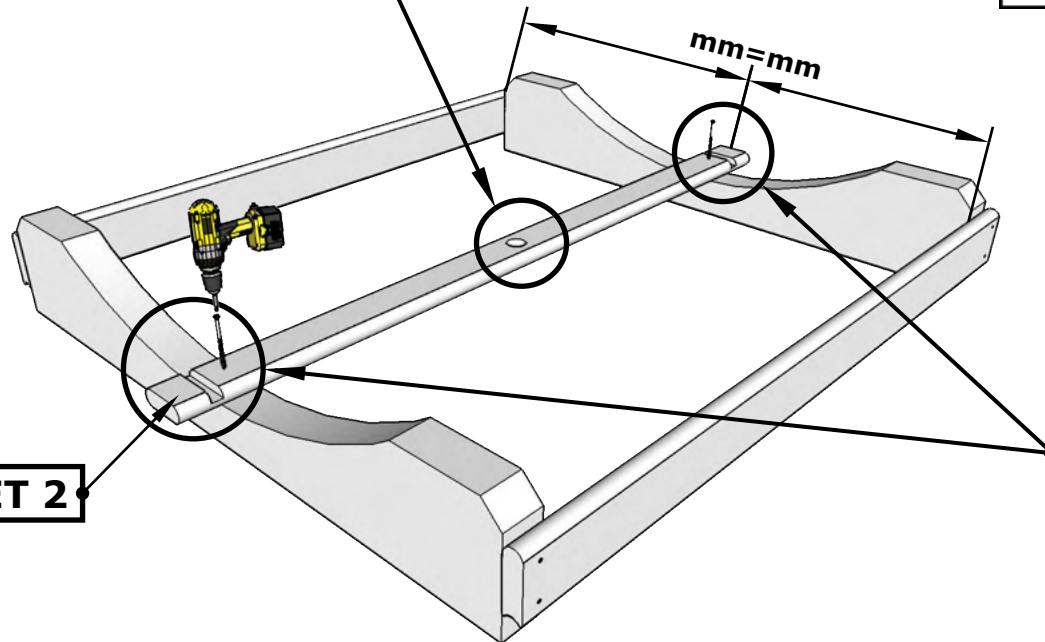
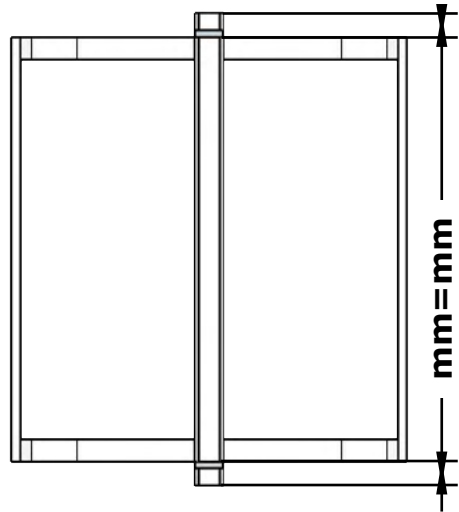
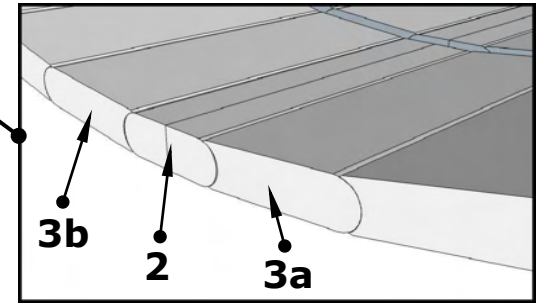
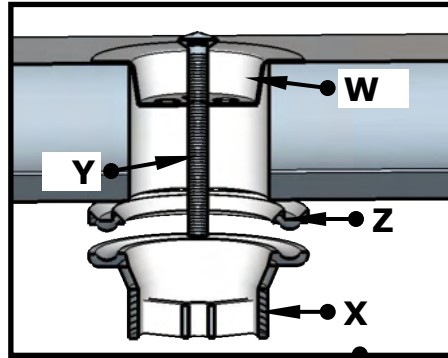
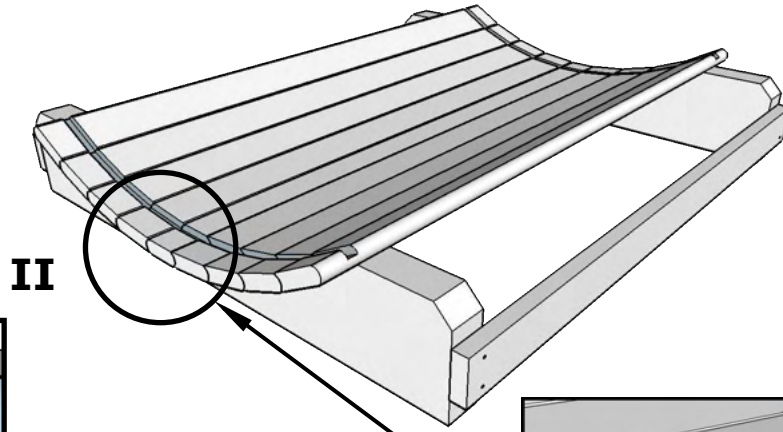


1.

# Sauna 160, Ø200



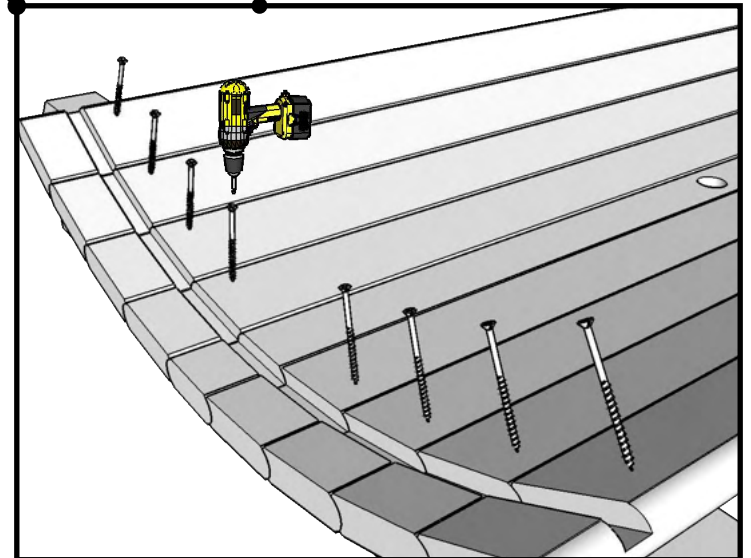
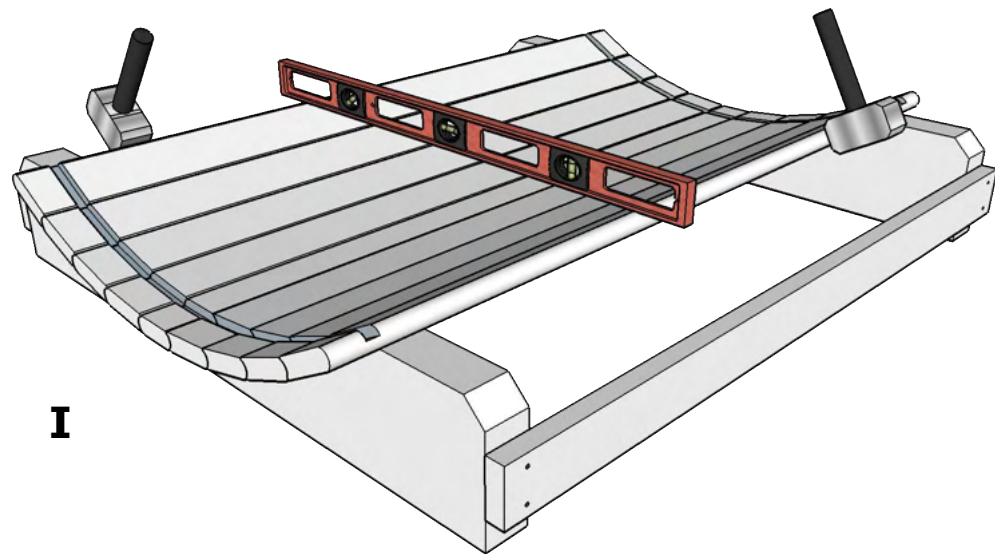
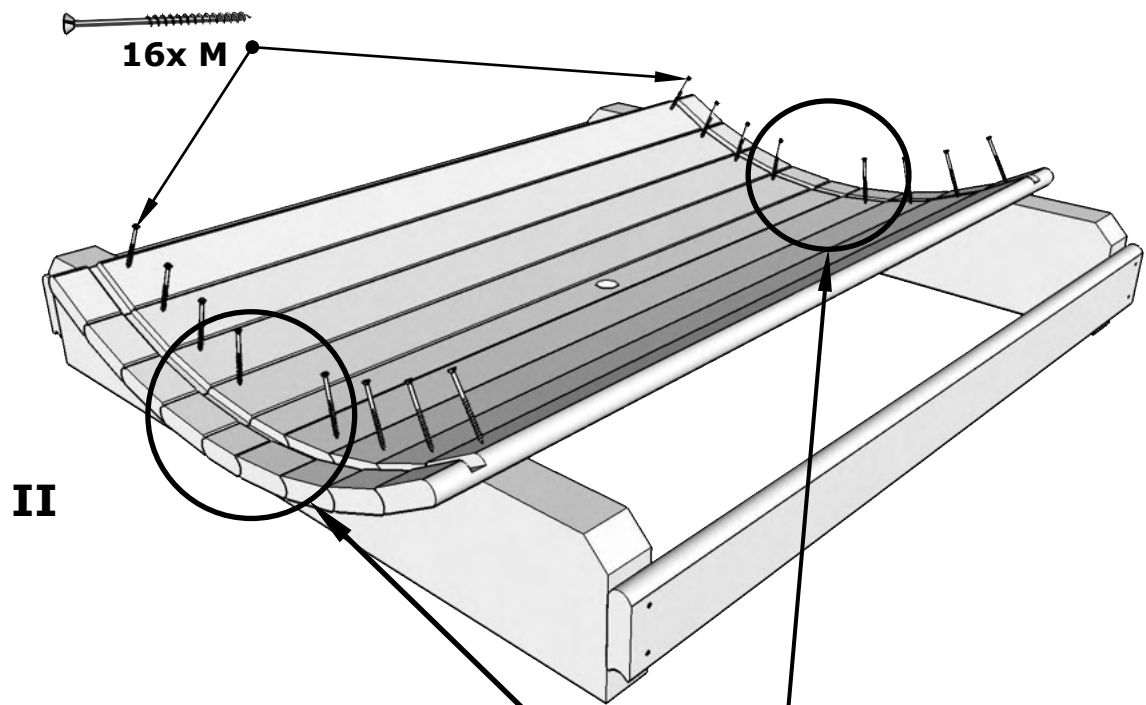
4 x DET 3a  
4 x DET 3b



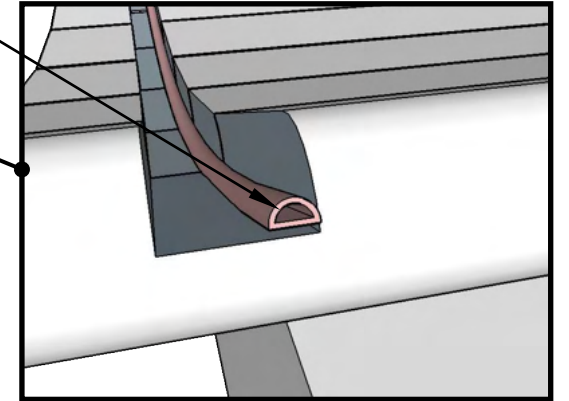
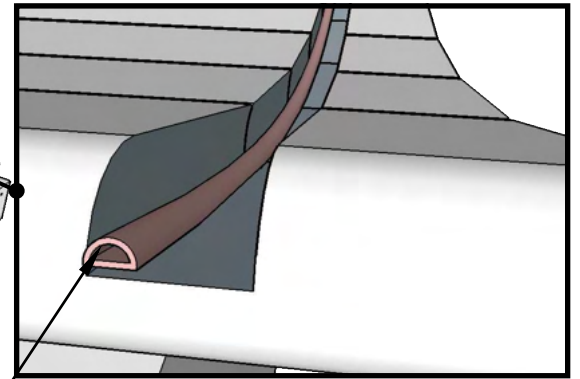
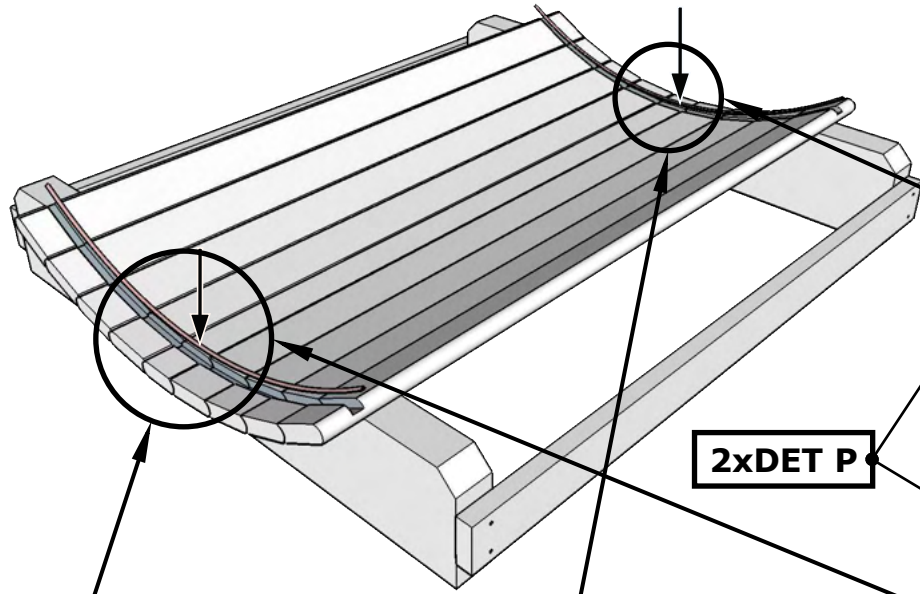
I

1x DET 2

# Sauna 160, Ø200

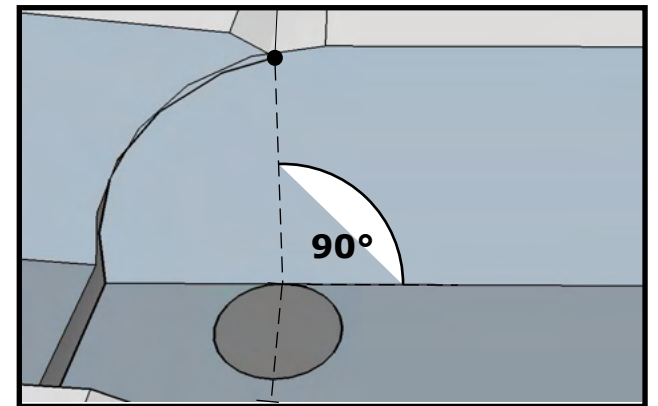
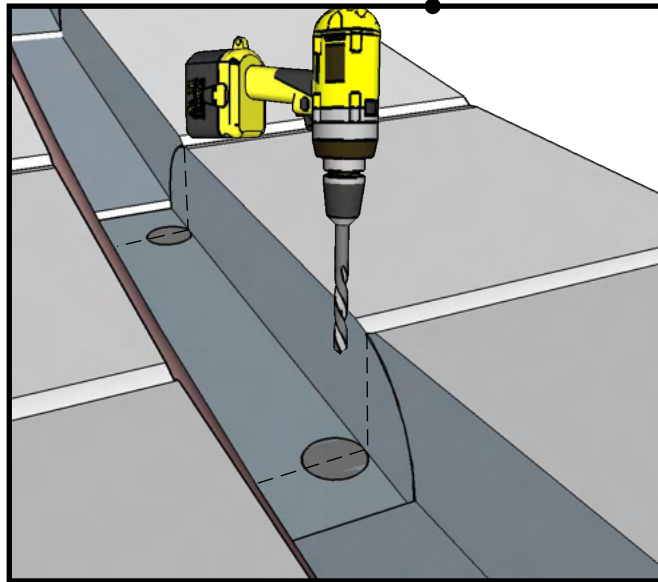
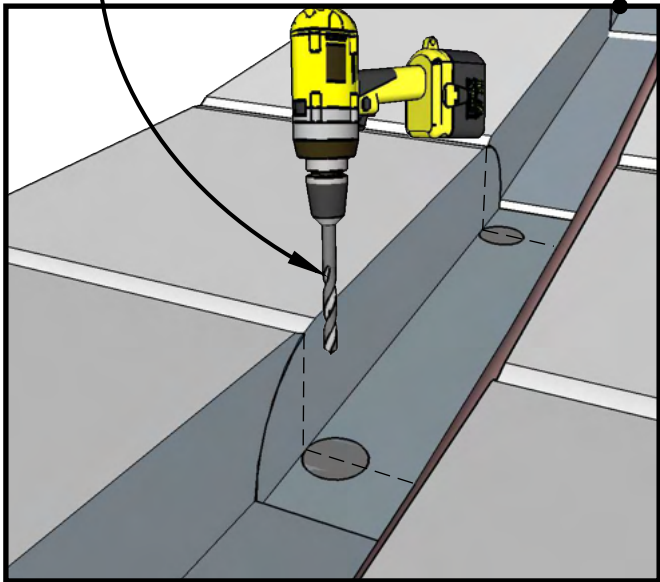


# Sauna 160, Ø200

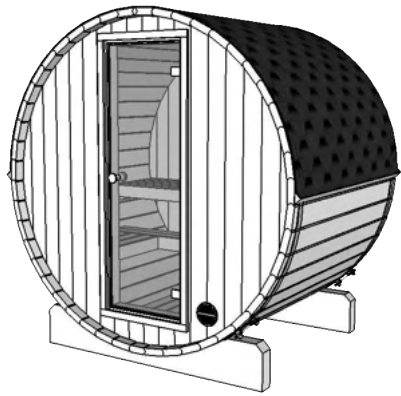


2xDET P

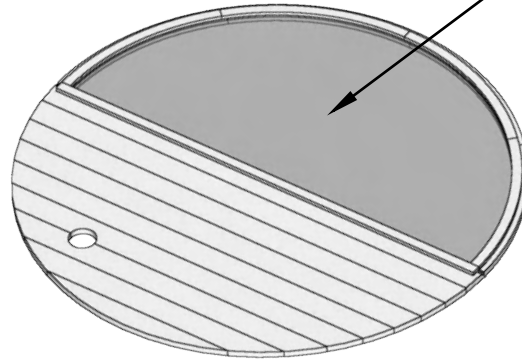
• Drill 2 holes into  
DET 2 Ø10mm.



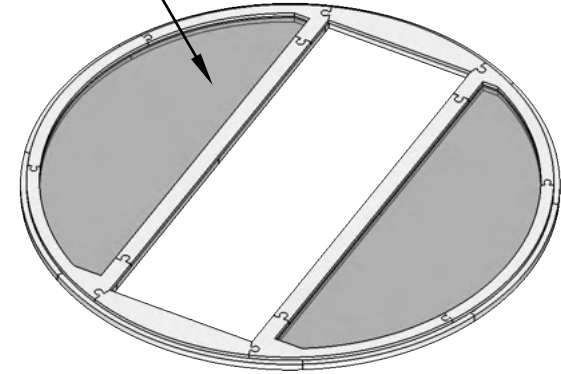
# Sauna 160, Ø200



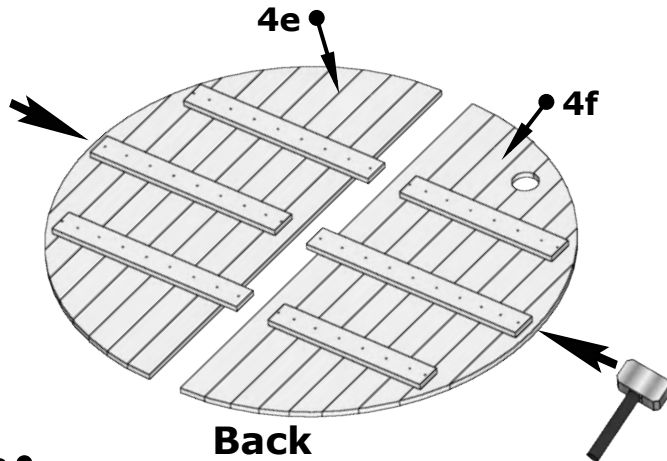
Check glass walls installation on extra pages.



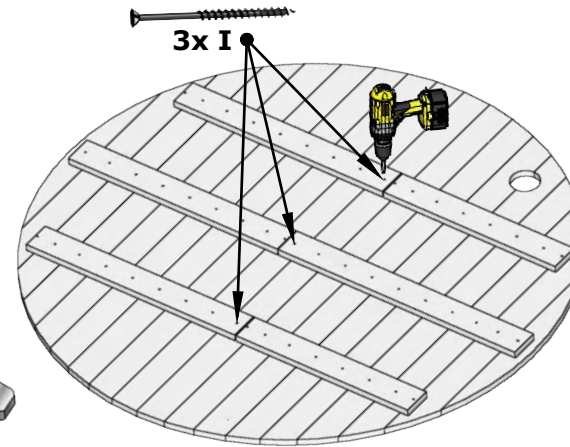
Back



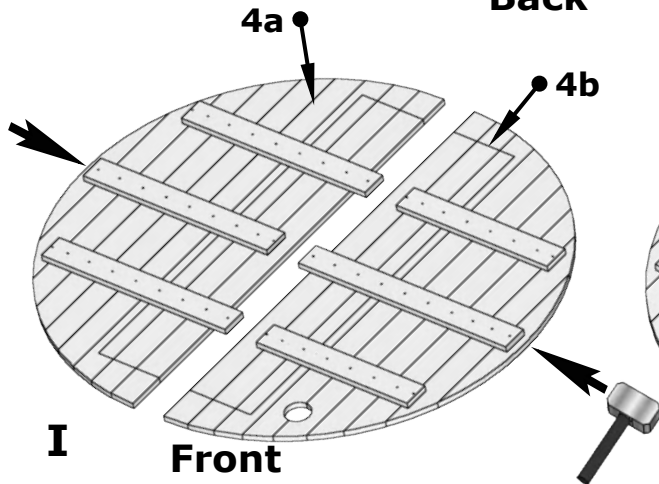
Front



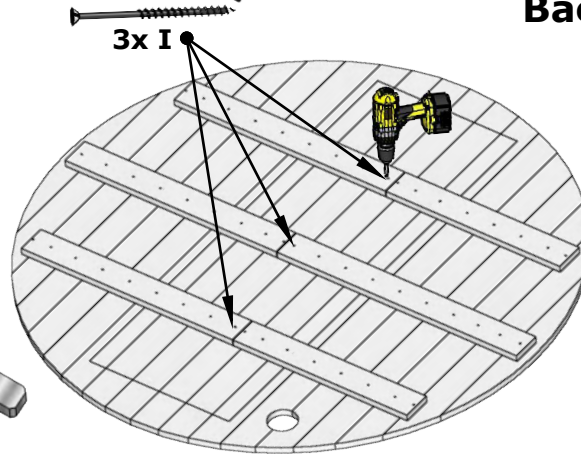
Back



Back



I Front



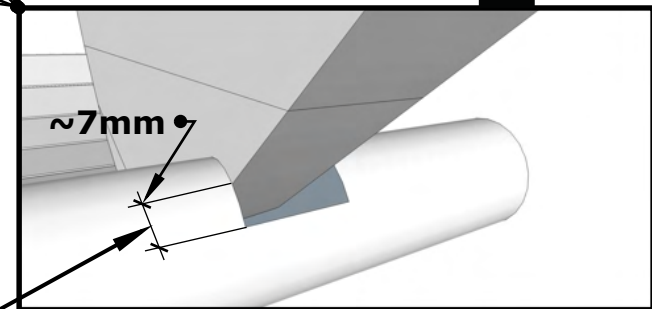
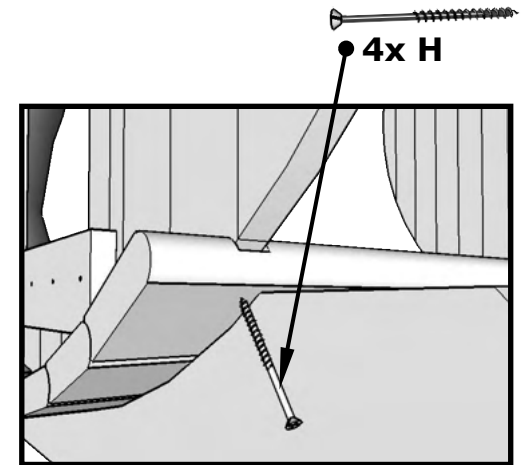
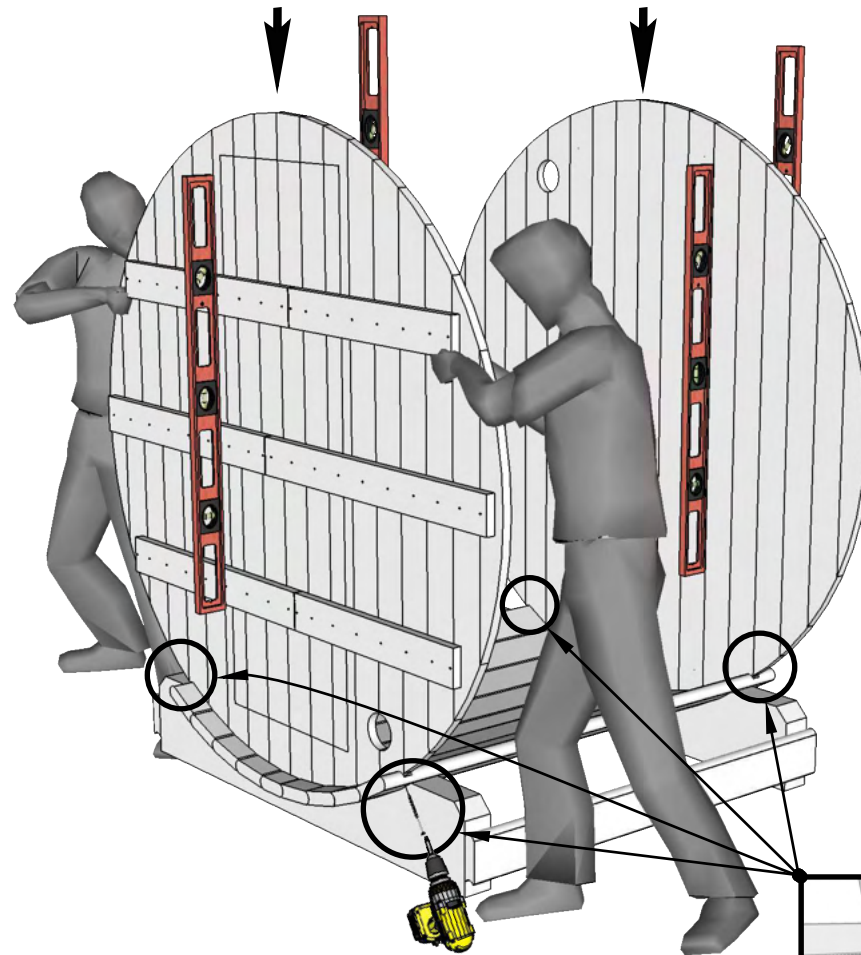
II Front

**Walls configuration depends on Your model!**

**4.**



# Sauna 160, Ø200

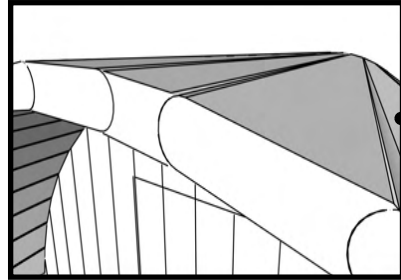


**Walls configuration depends on Your model!**

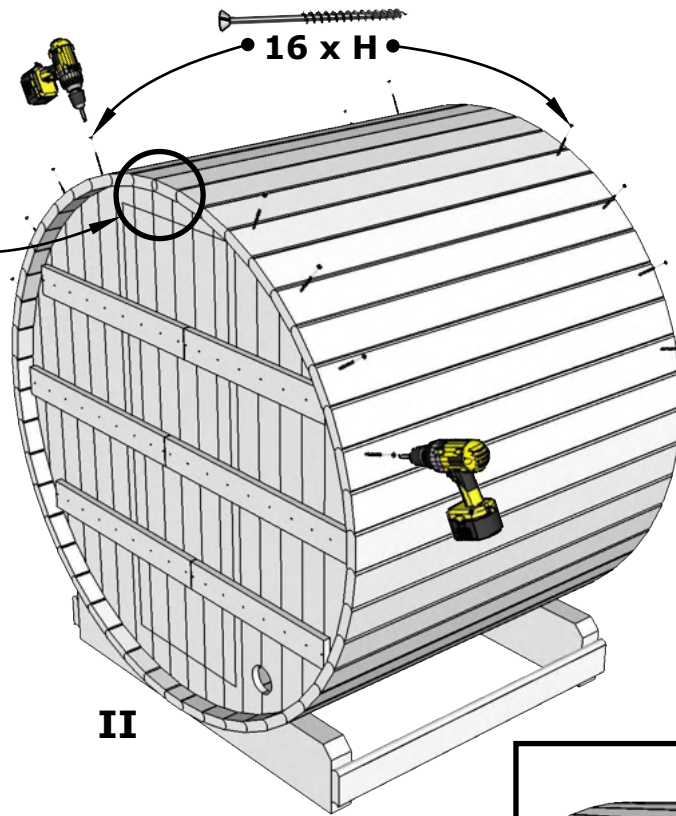
**Important!  
Keep distance!**

# Sauna 160, Ø200

Check page 6A

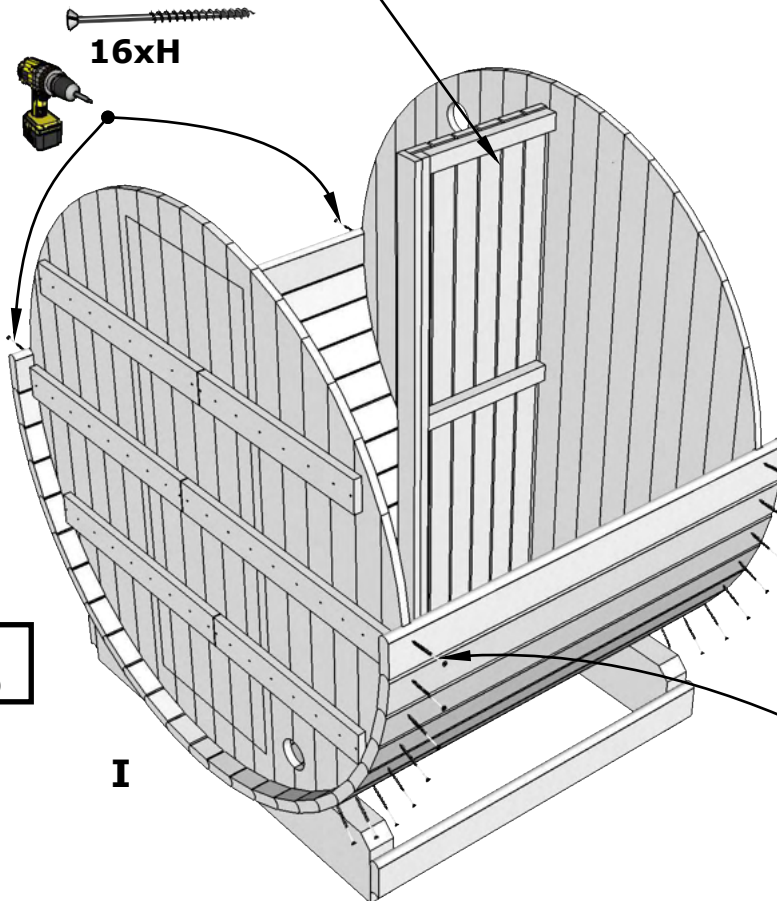
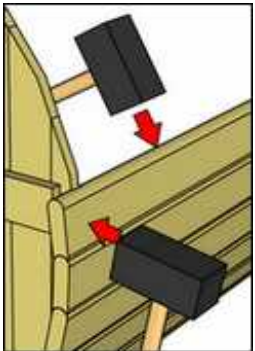


11x DET 3a  
10x DET 3b

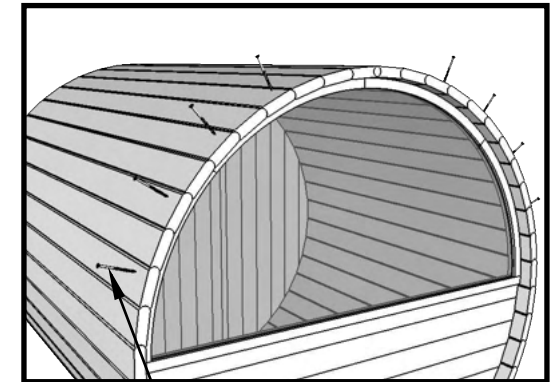


Half moon  
glass model.

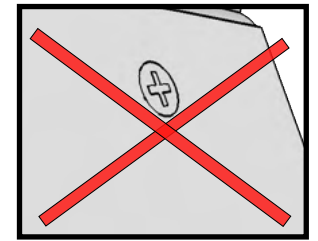
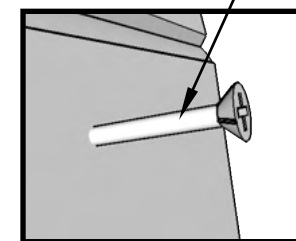
Place DET 8 in sauna  
before top boards.



8x DET 3a  
8x DET 3b



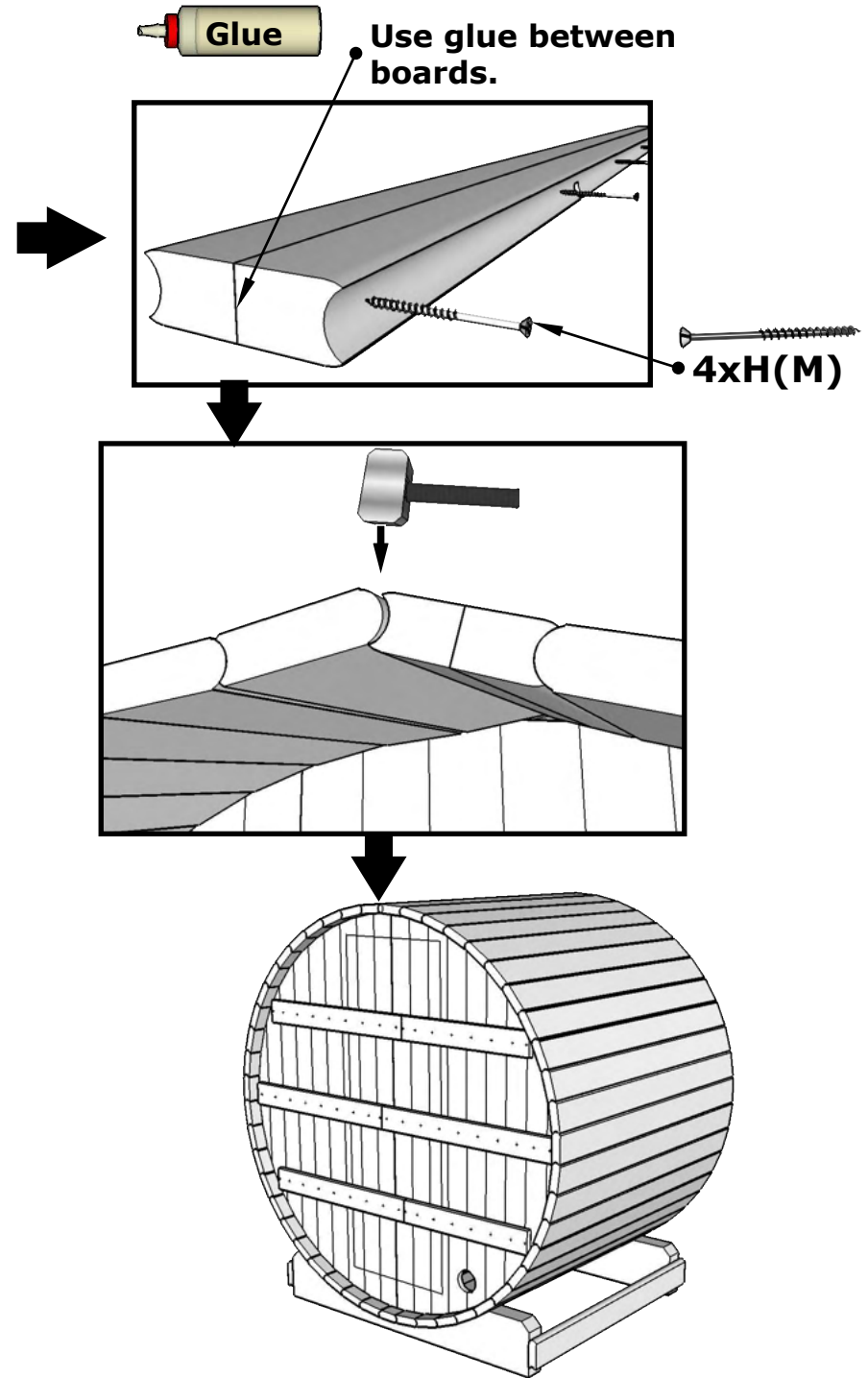
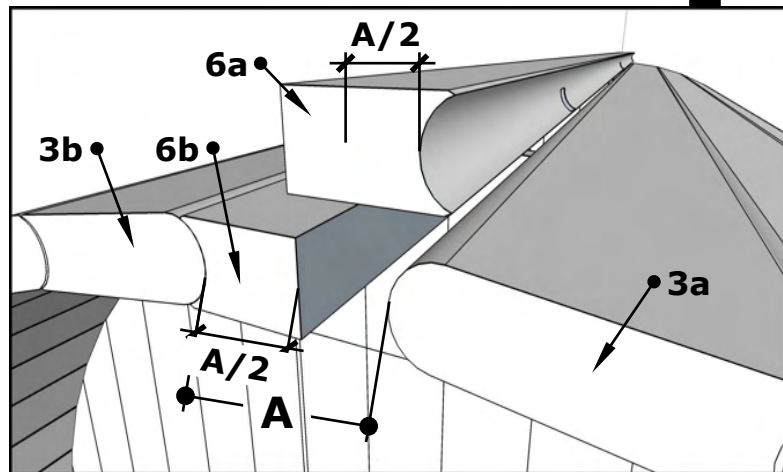
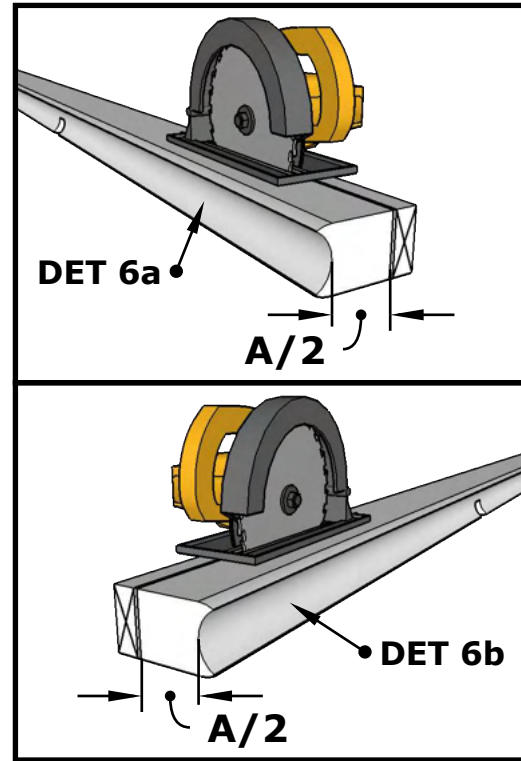
Do not screw it in  
all the way.



# Sauna 160, Ø200

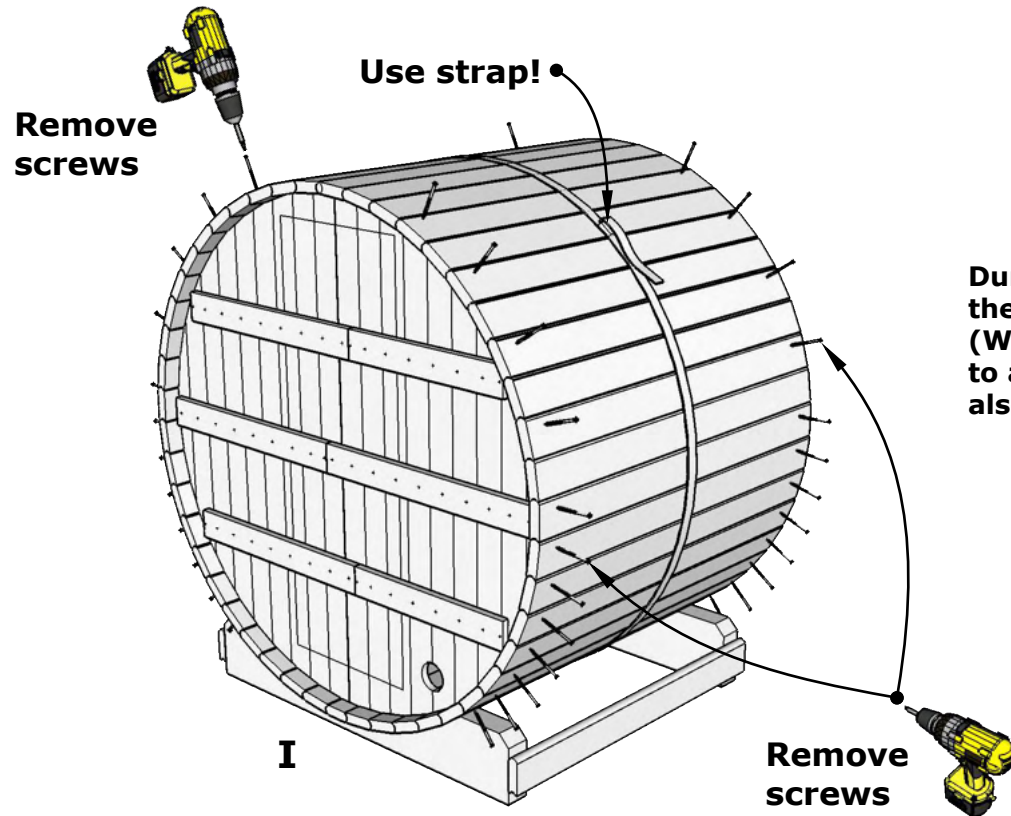
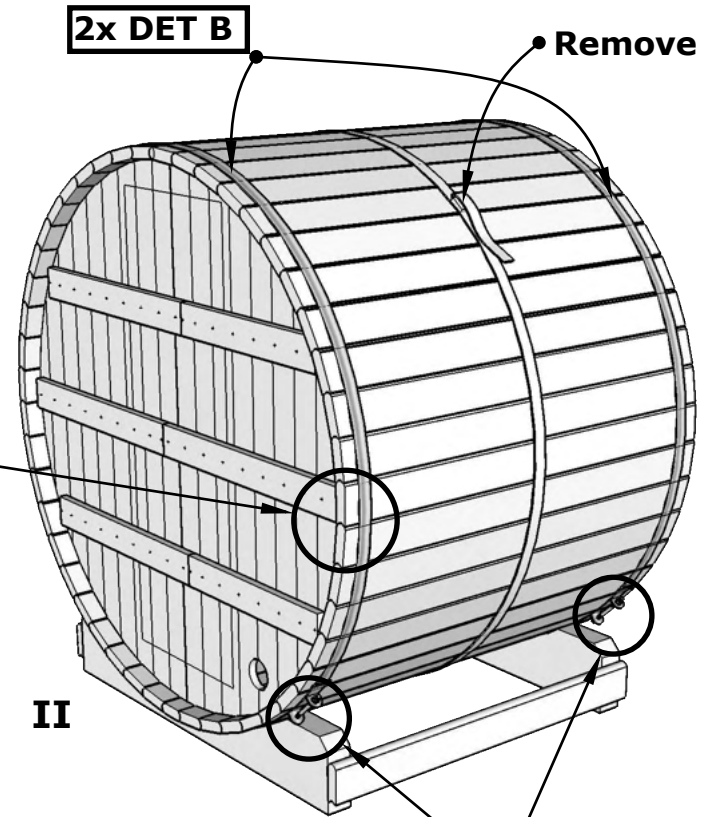
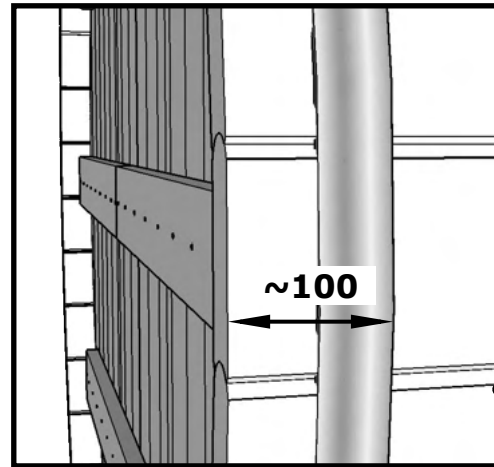


**Important !!!**

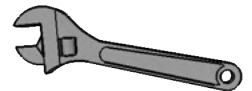
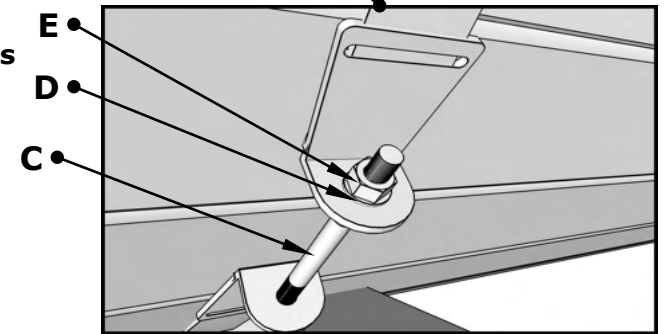


**6A.**

# Sauna 160, Ø200



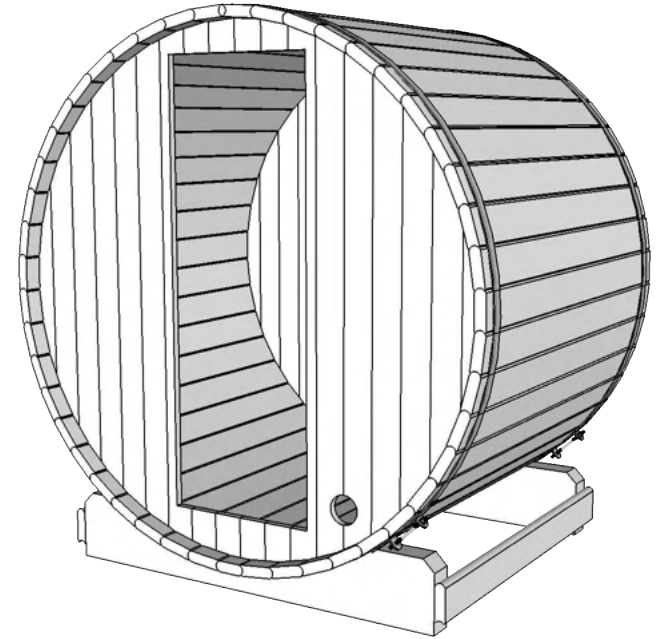
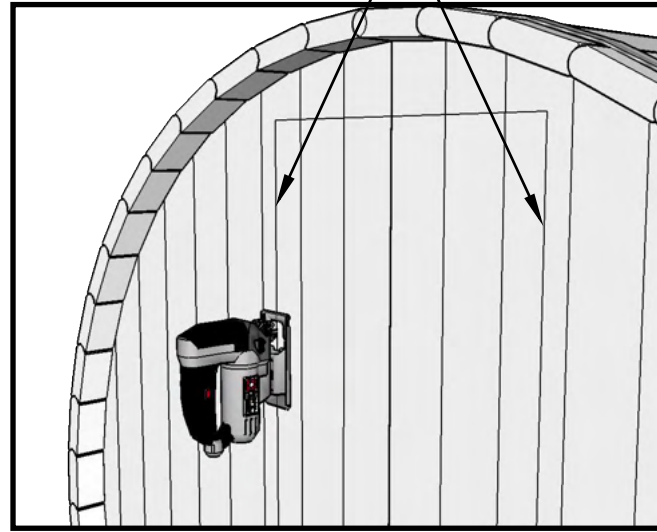
During assembly and retightening the threaded rods, use oil (Würth HPS 1400 or similar) to avoid "cold welding" and it is also easier tightening.



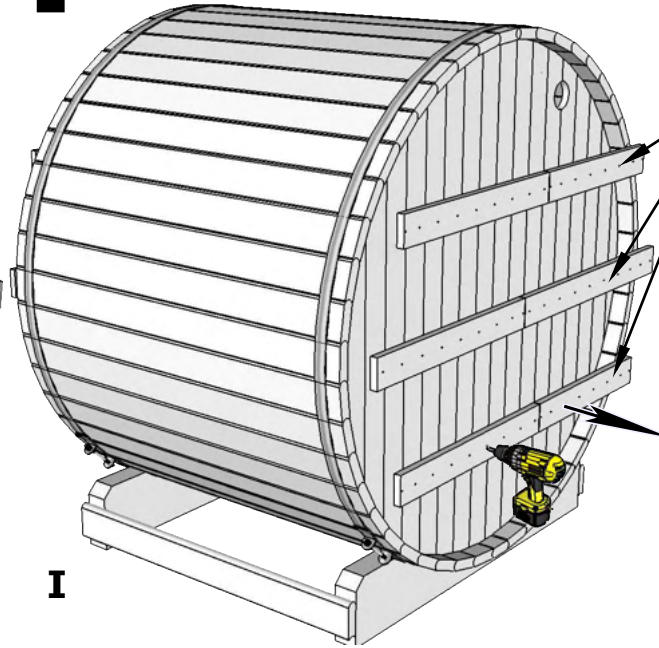
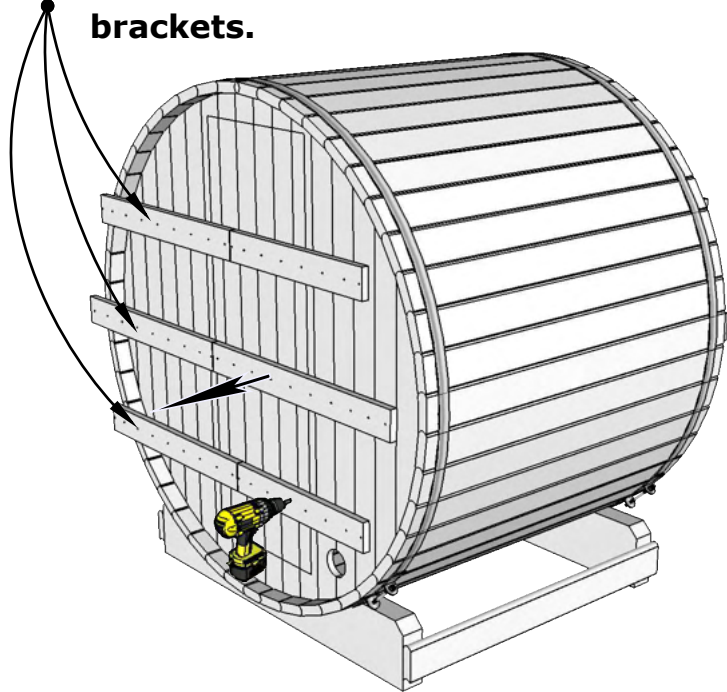
# Sauna 160, Ø200



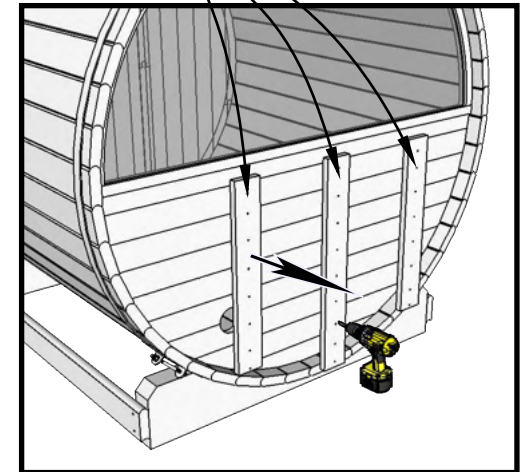
Cut out, follow the guidelines.



Remove all brackets.



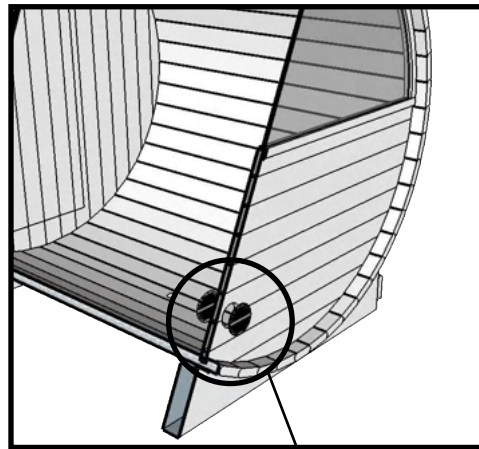
Remove all brackets.



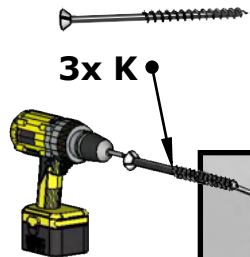
# Sauna 160, Ø200



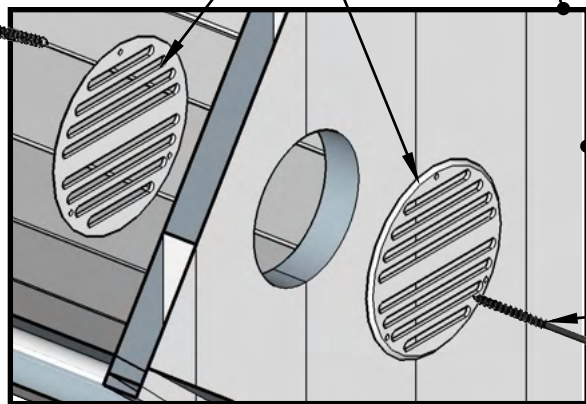
Half moon glass model



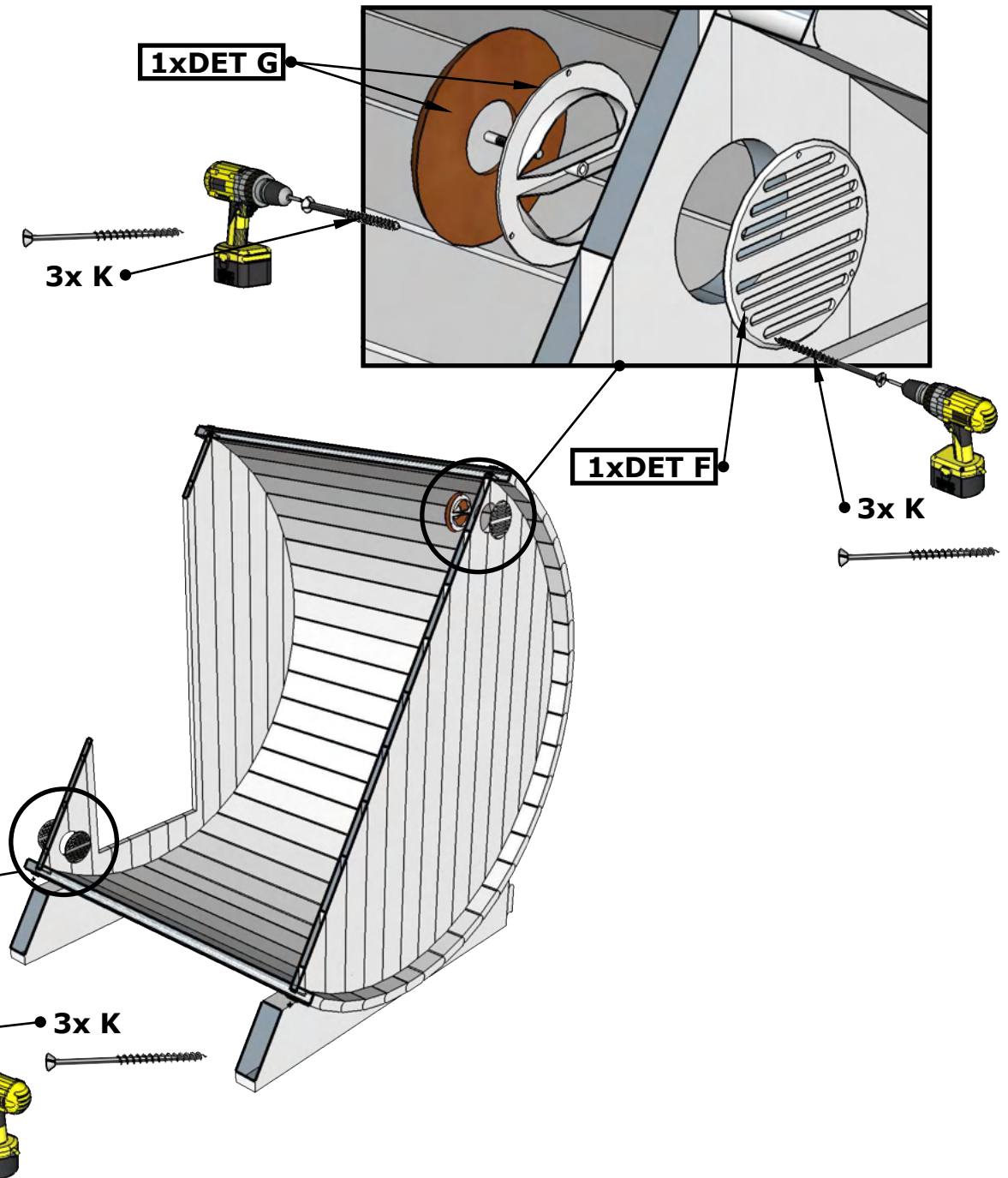
2xDET F



3x K



3x K



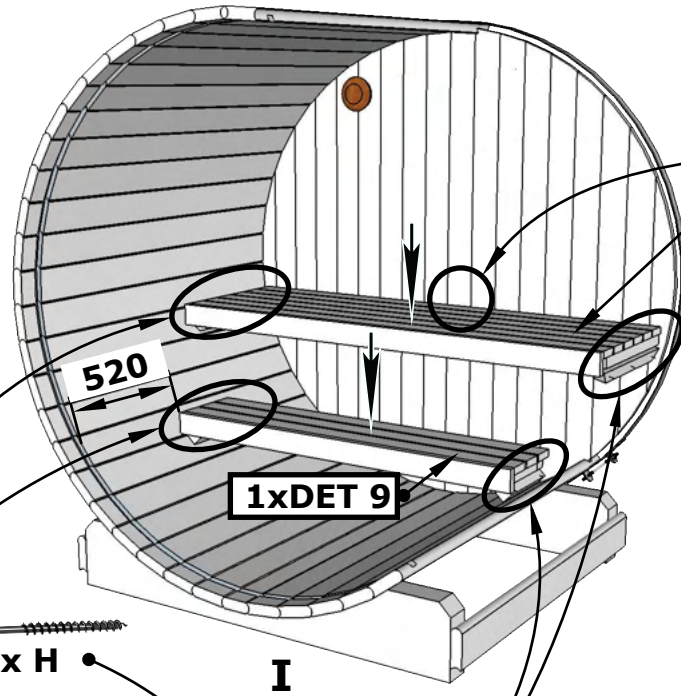
1xDET G

3x K

1xDET F

3x K

# Sauna 160, Ø200



2x H

1xDET 8

1xDET 9

1xDET 11

Drill hole Ø4mm before screw

6x H

2xDET 10

4x M

II

4x H

2xDET 12

Drill hole Ø4mm before screw

III

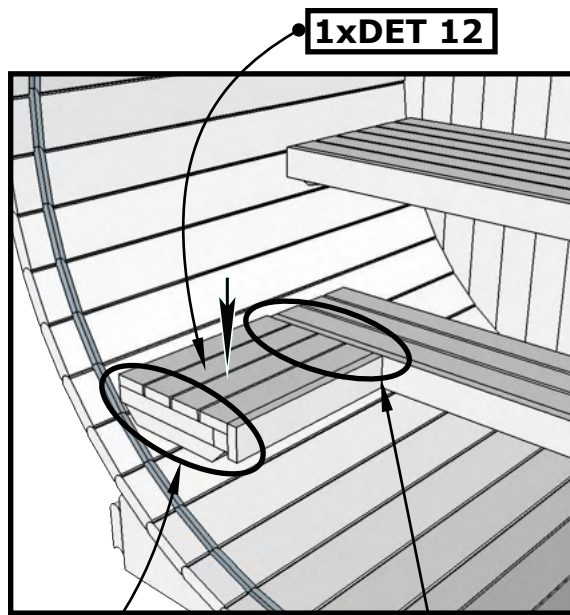
4x M

10.

# Sauna 160, Ø200

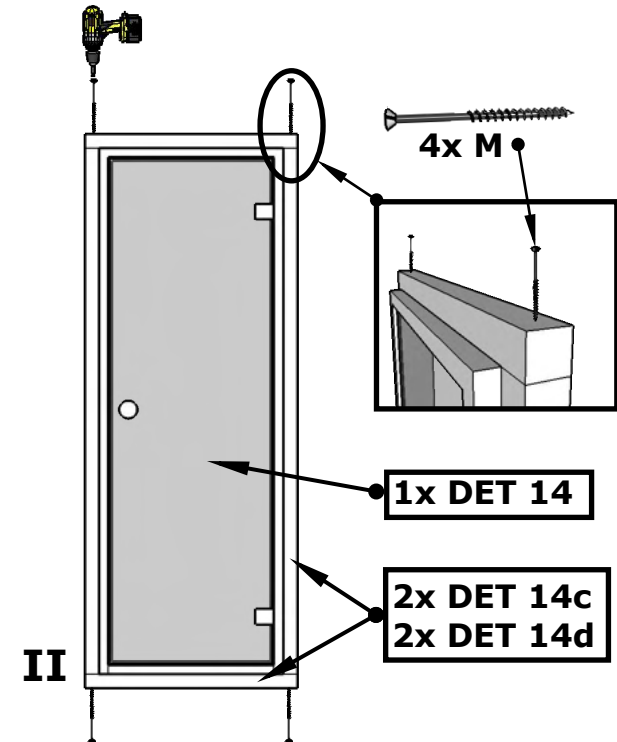
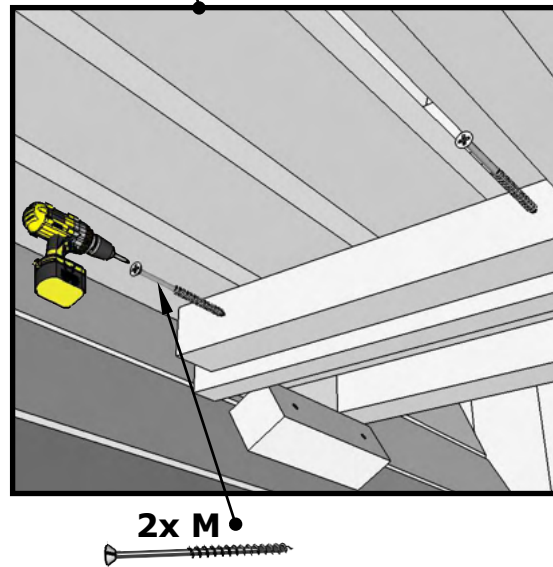
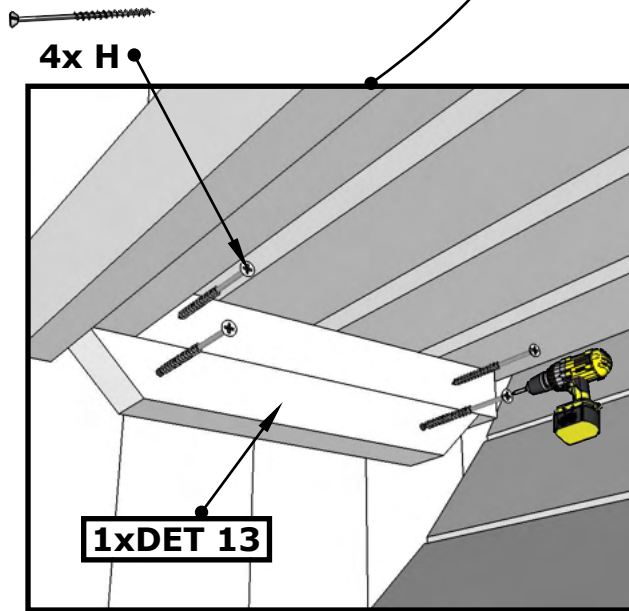
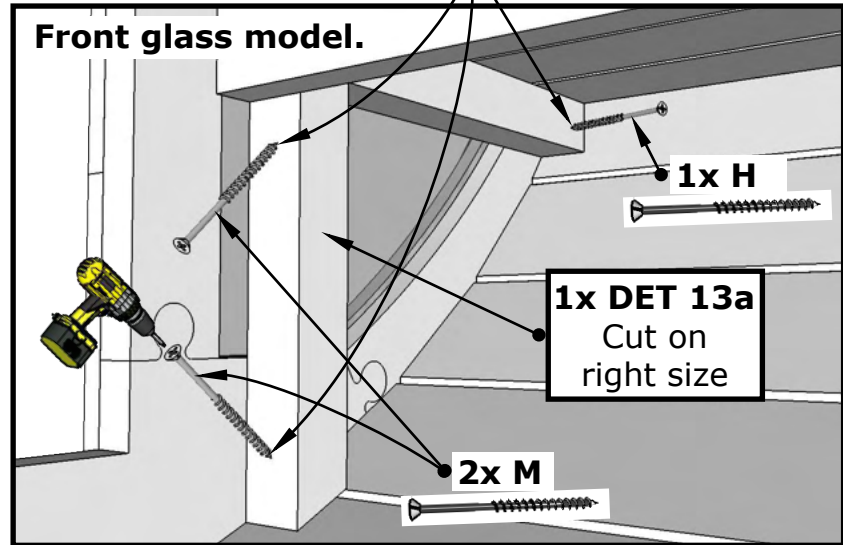


I



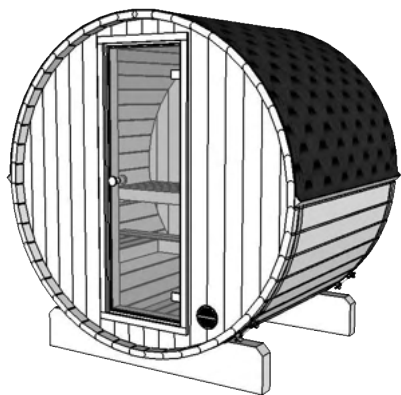
Drill hole Ø4mm  
before screw.

Be careful to not  
hit the glass.

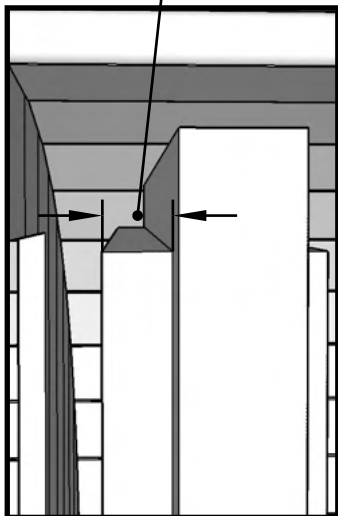




# Sauna 160, Ø200



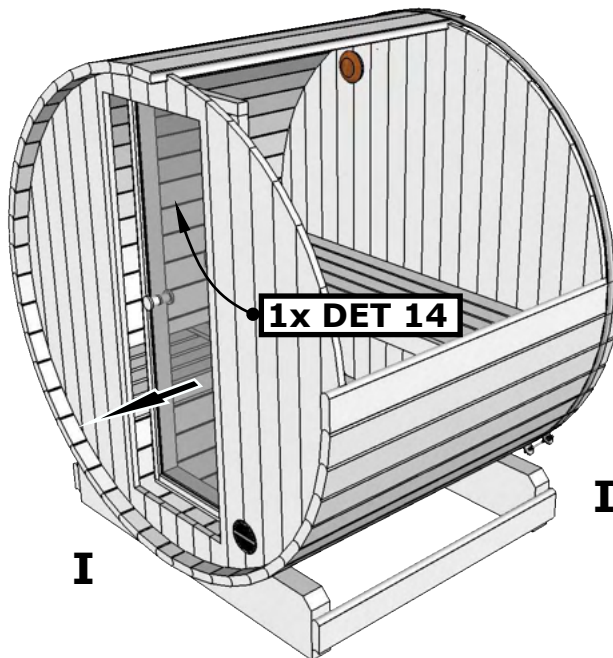
28mm.-Regular wall  
43mm.-Glass wall



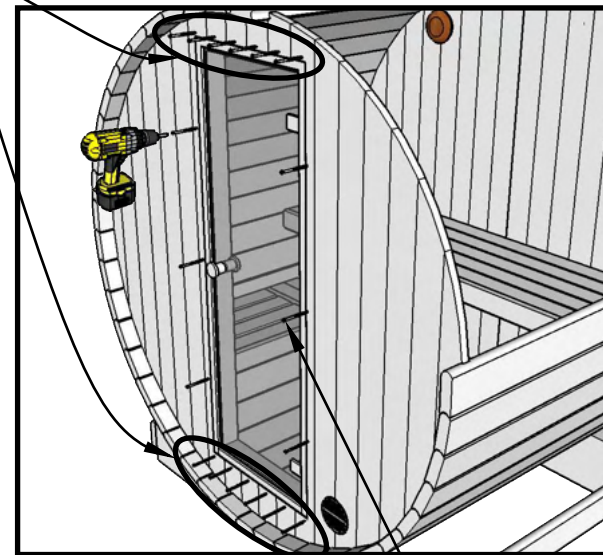
Use waterlevel for door installation.

**NB!** Install door from inside.

Horizontally fix screw in every board.



**I**

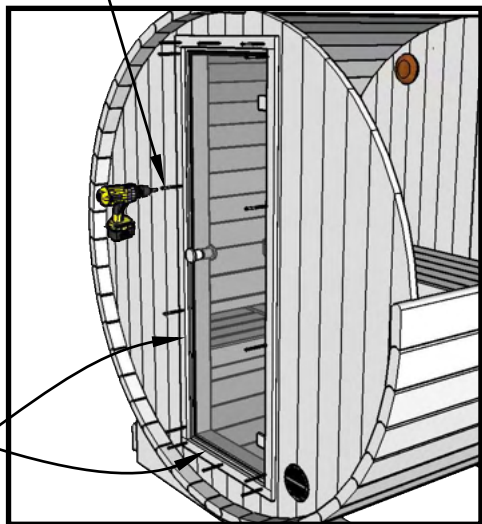


**II**

• 18x H



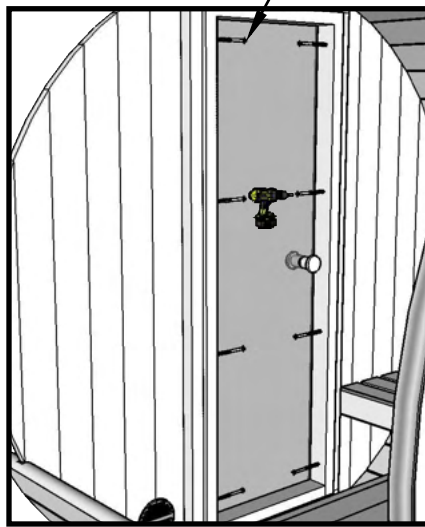
• 14x J



**III**

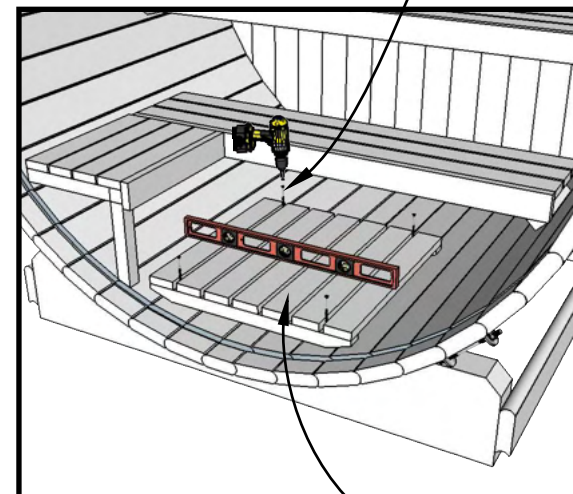
2x DET 14a  
2x DET 14b

• 8x H



**IV**

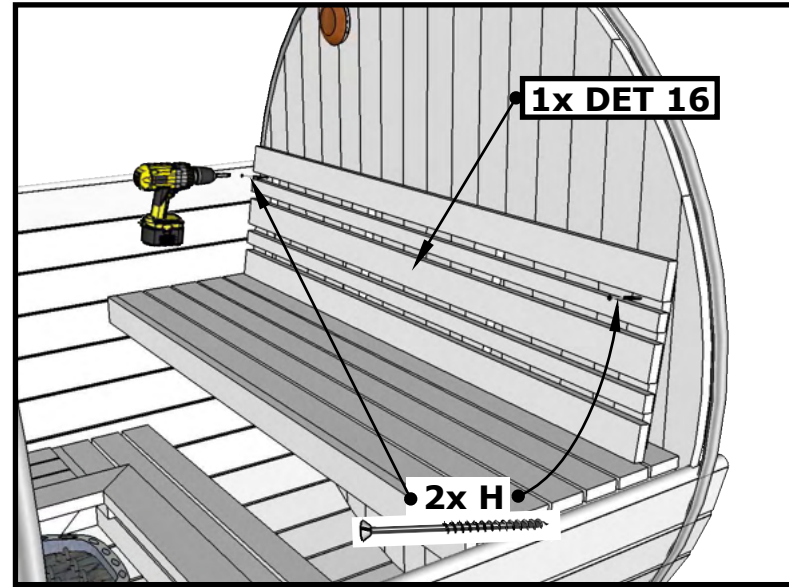
• 4x H



**V**

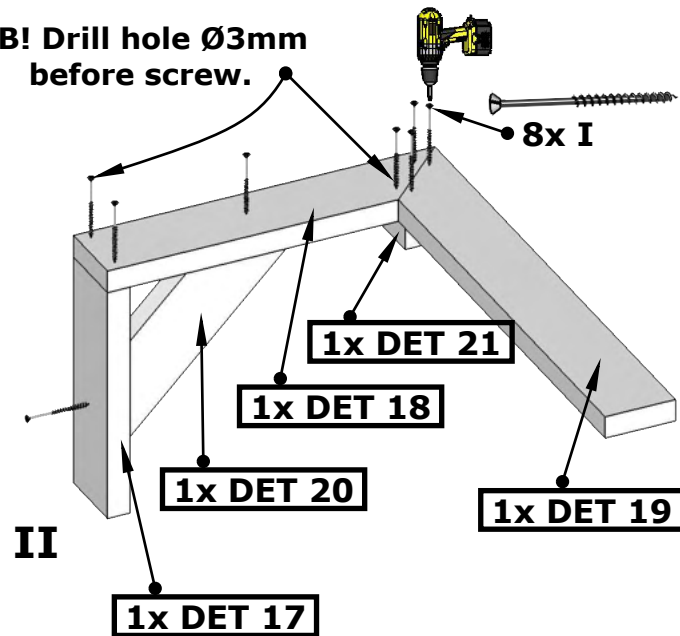
• 1x DET 15

# Sauna 160, Ø200



I

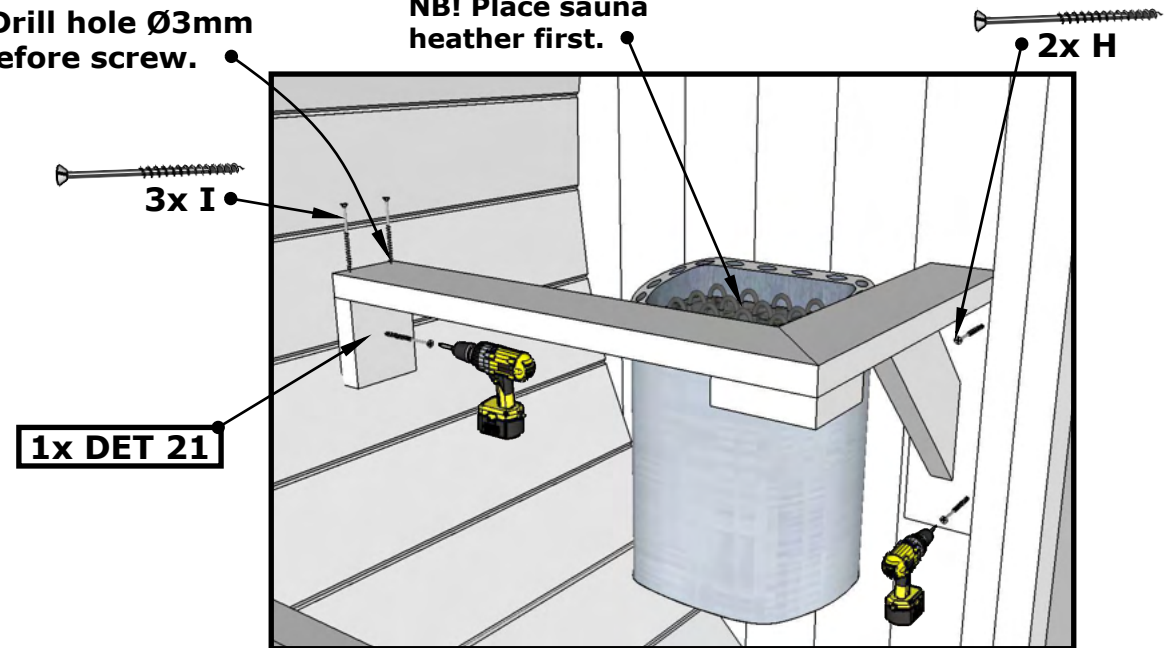
NB! Drill hole Ø3mm before screw.



II

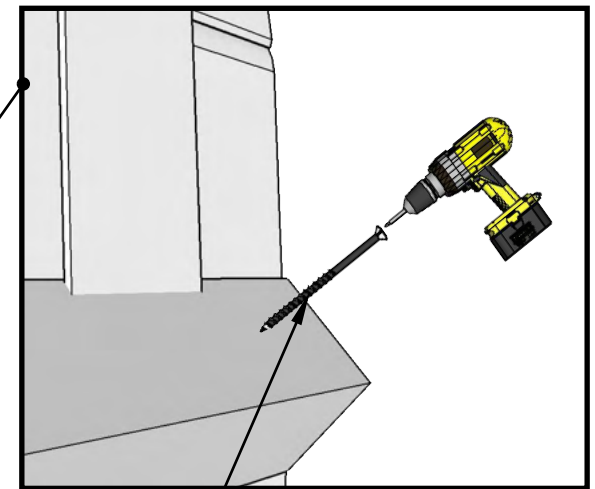
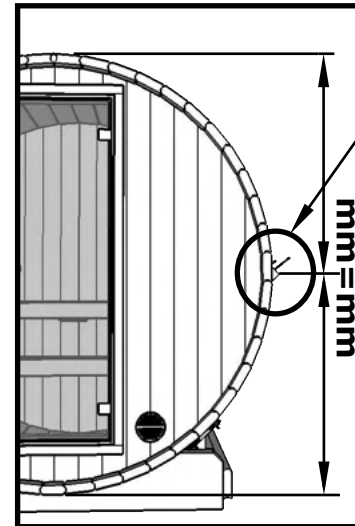
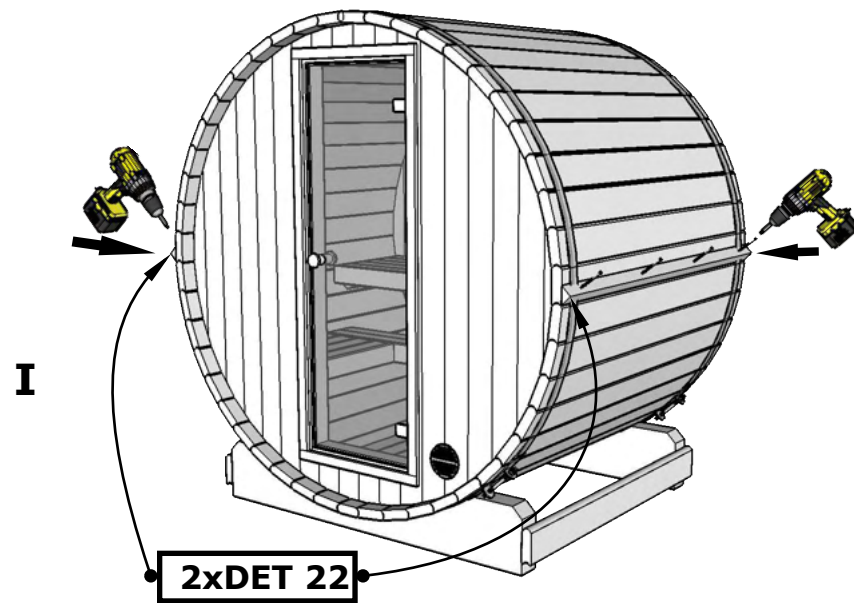
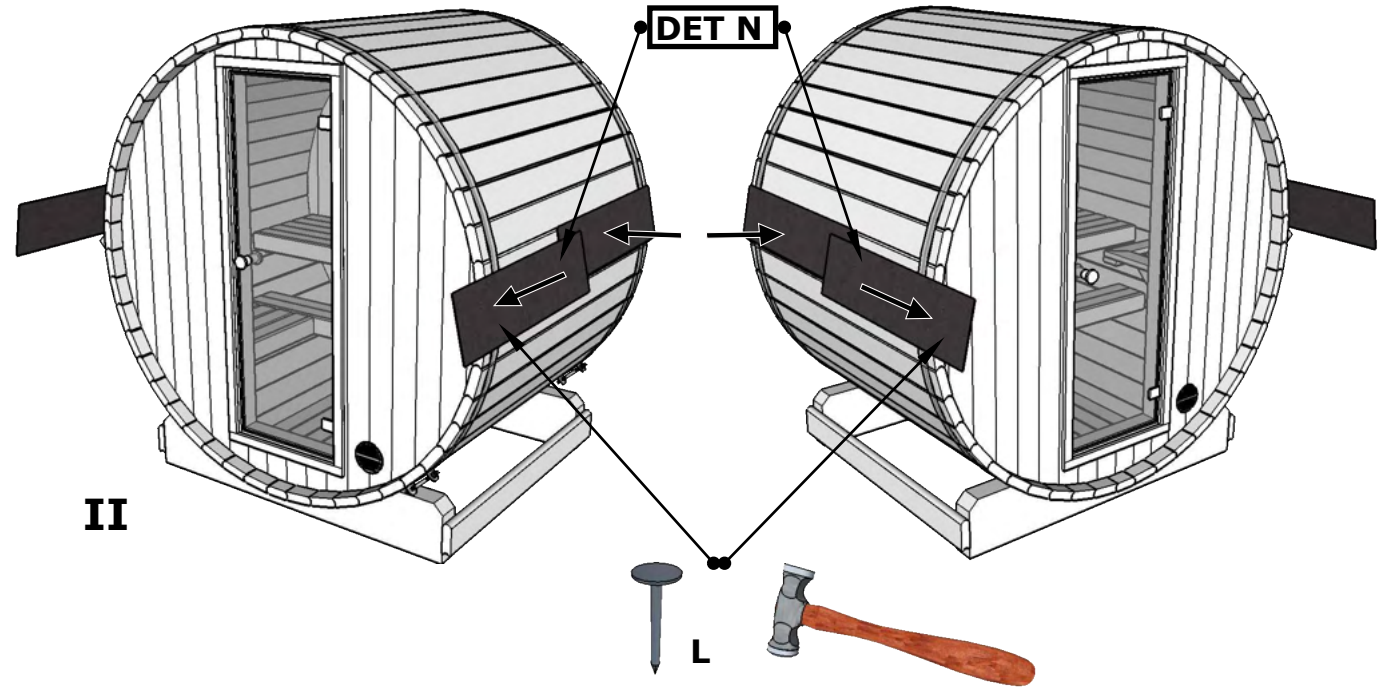
NB! Drill hole Ø3mm before screw.

NB! Place sauna heater first.

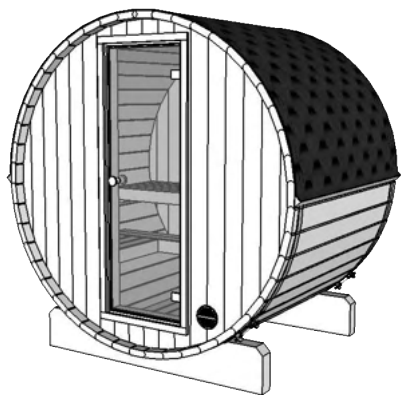


Check extra pages how to install heater on Front glass wall.

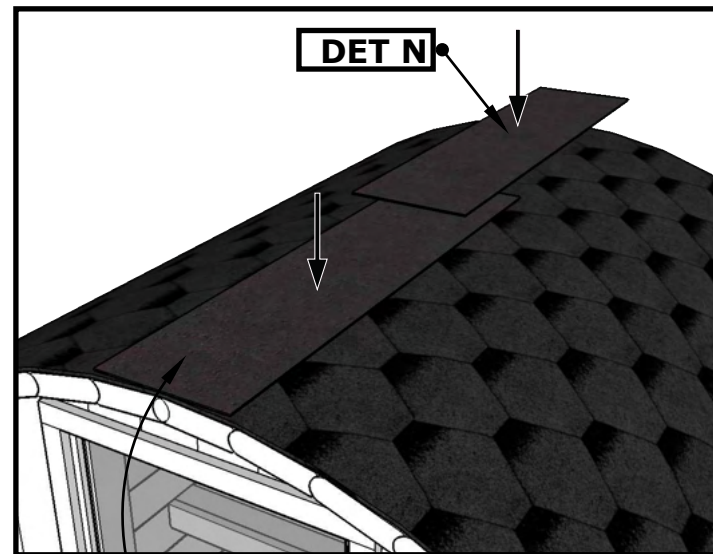
# Sauna 160, Ø200



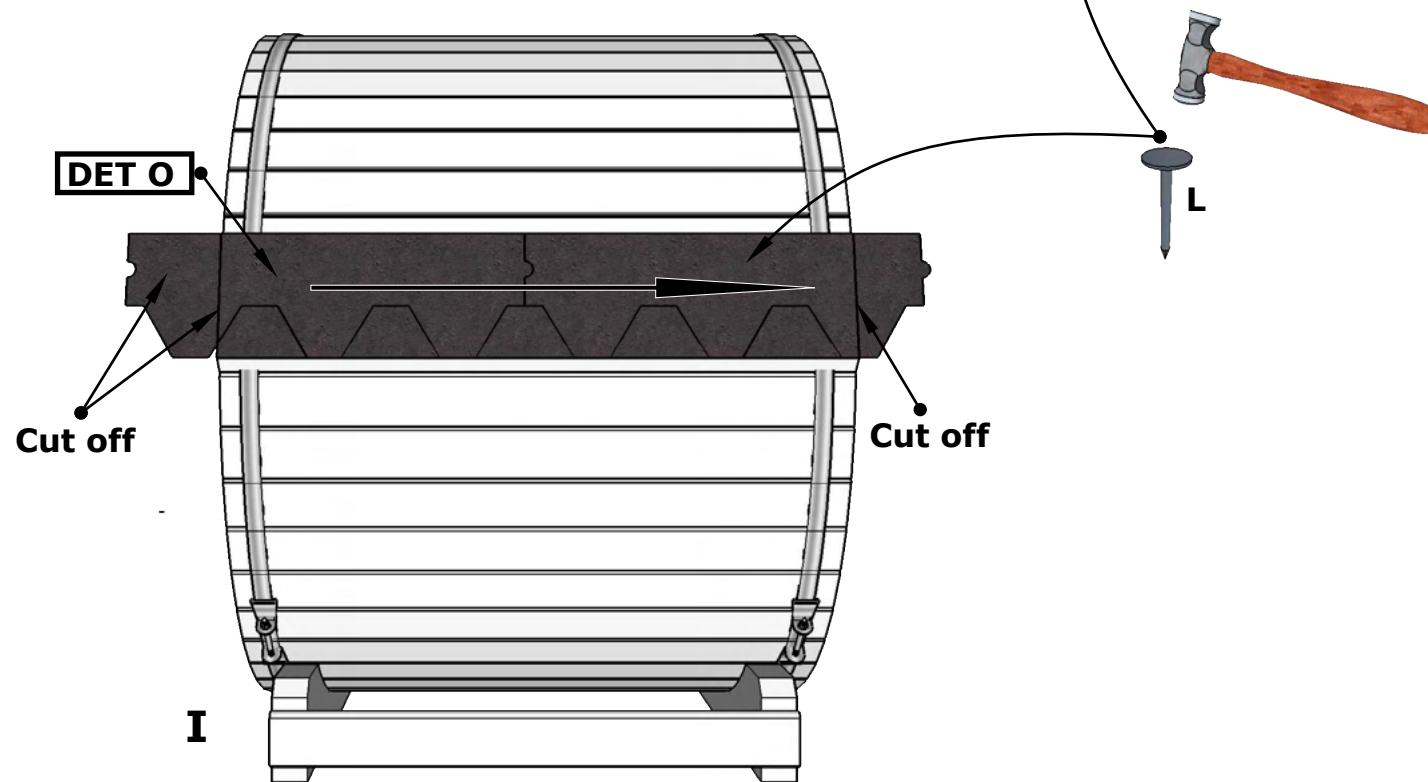
# Sauna 160, Ø200



**NB! Check also shingles installation manual inside shingles packages.**

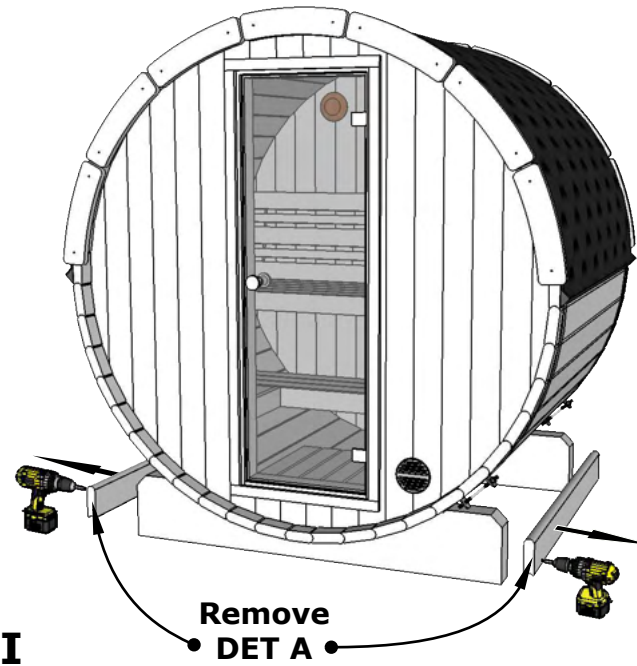


**II**



**I**

# Sauna 160, Ø200

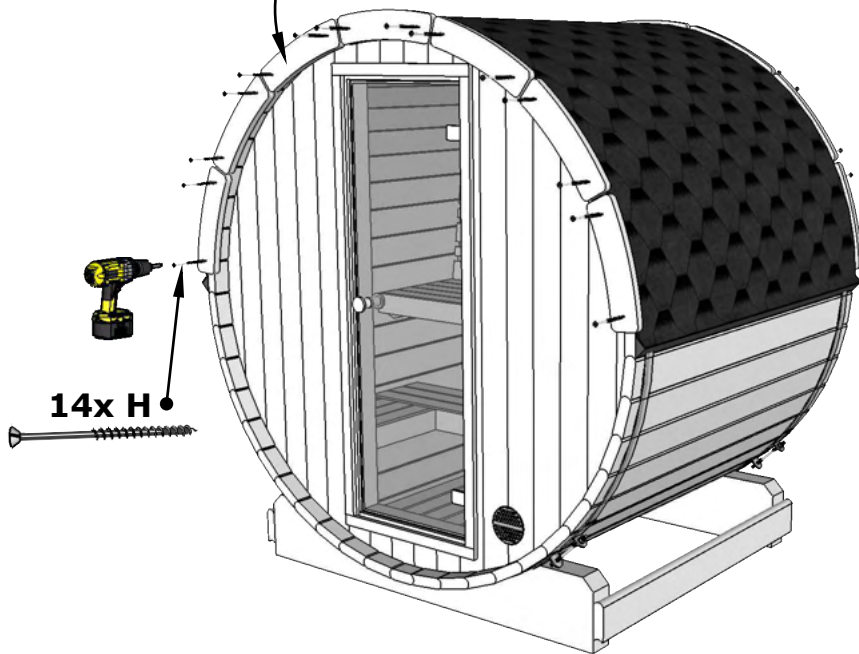


II

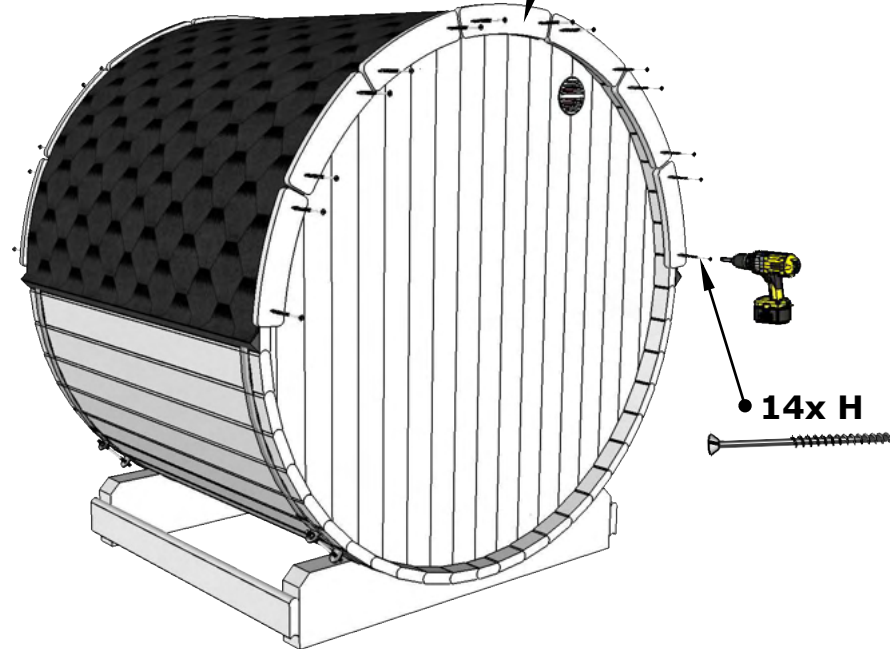
Remove  
DET A

7x DET 23

7x DET 23



14x H

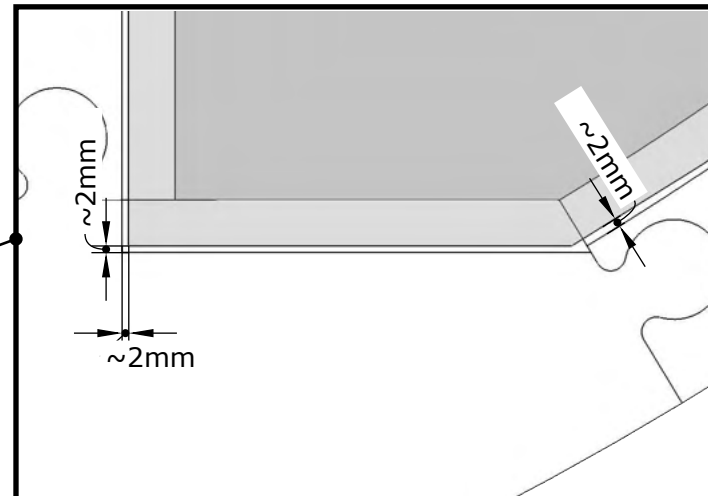
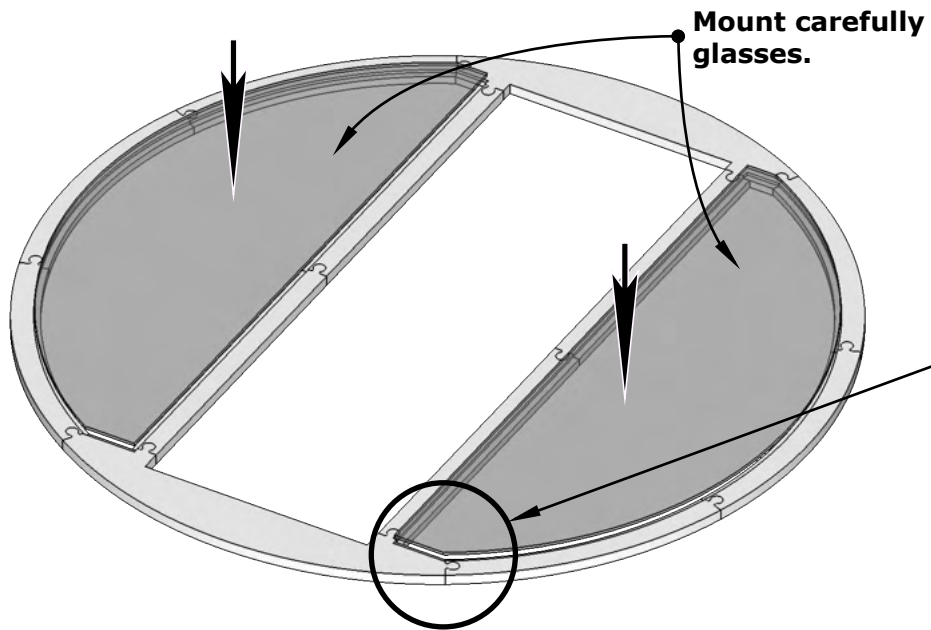
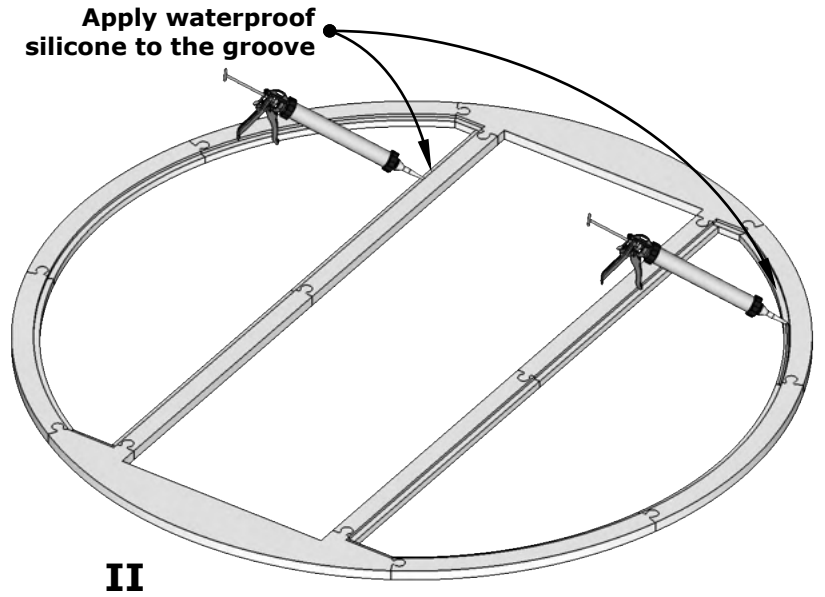
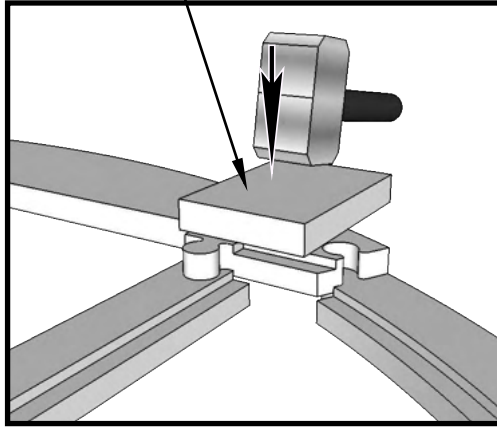
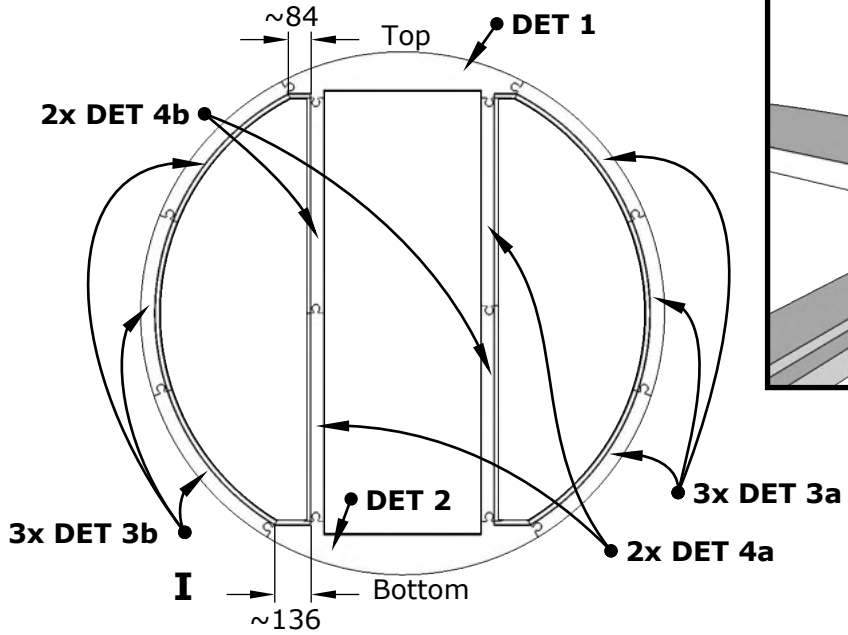


14x H

I

# Glass Wall mounting (base frame 28 mm.)

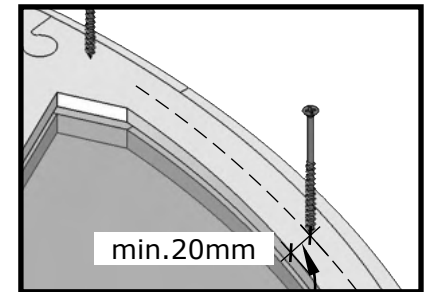
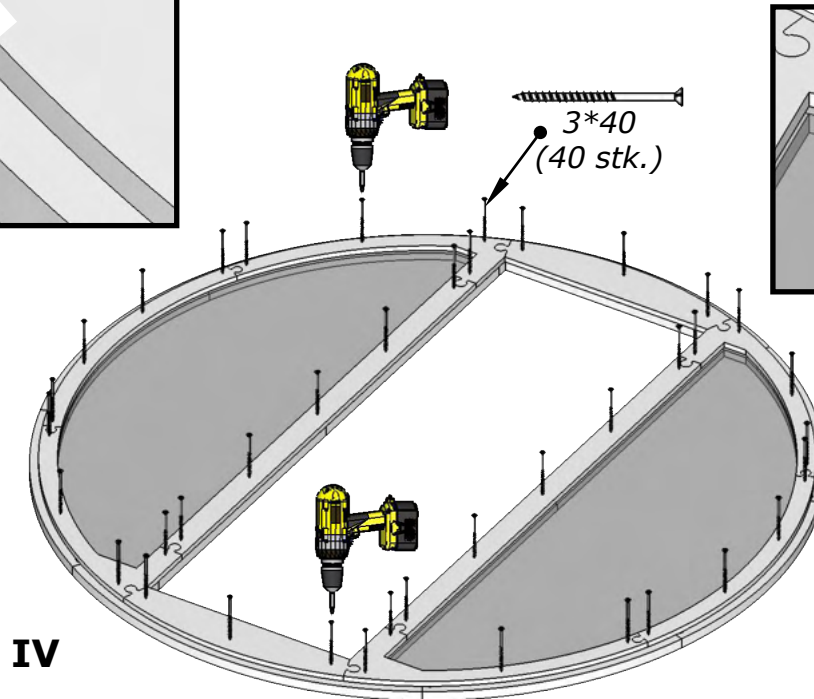
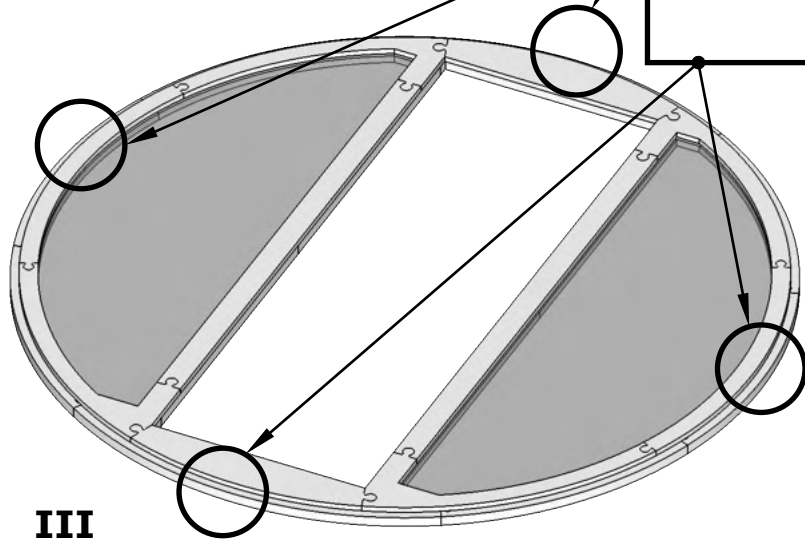
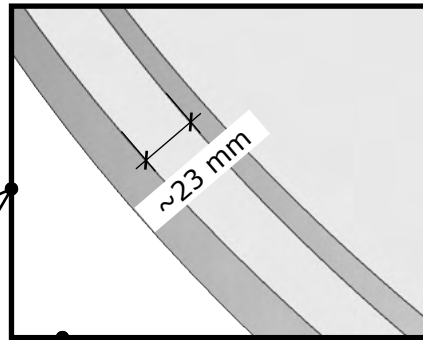
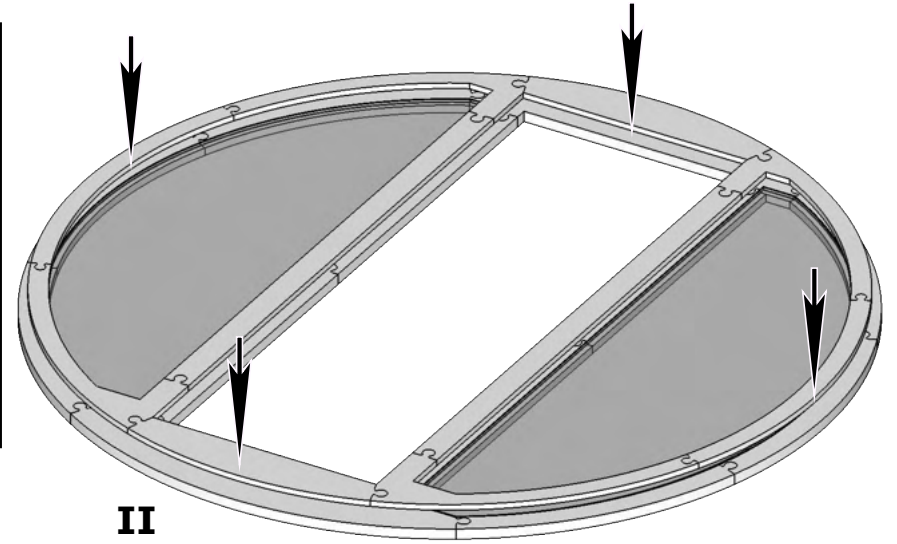
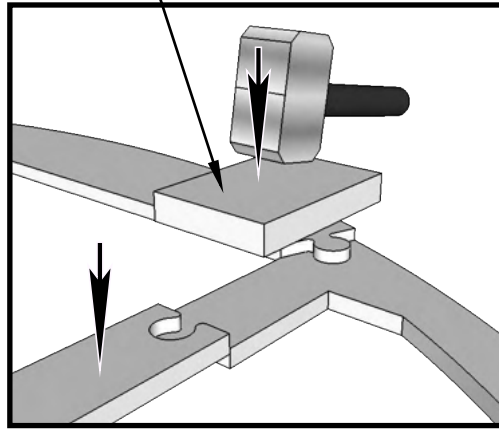
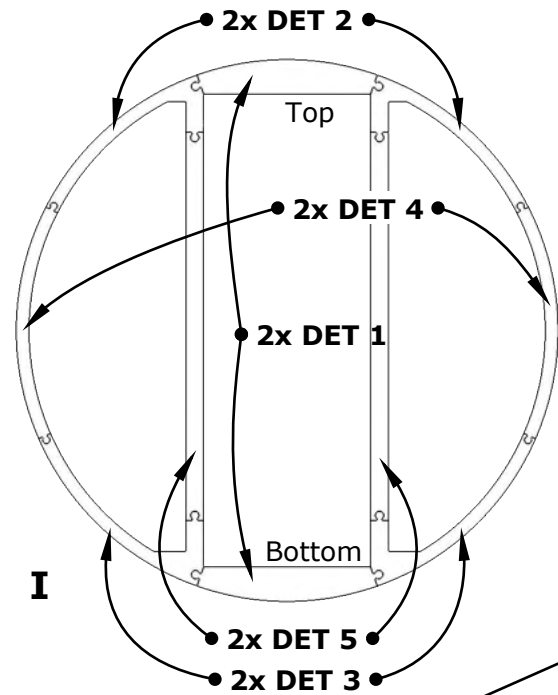
Use piece of wood to protect plywood



III

# Glass Wall mounting (cover frame 15 mm.)

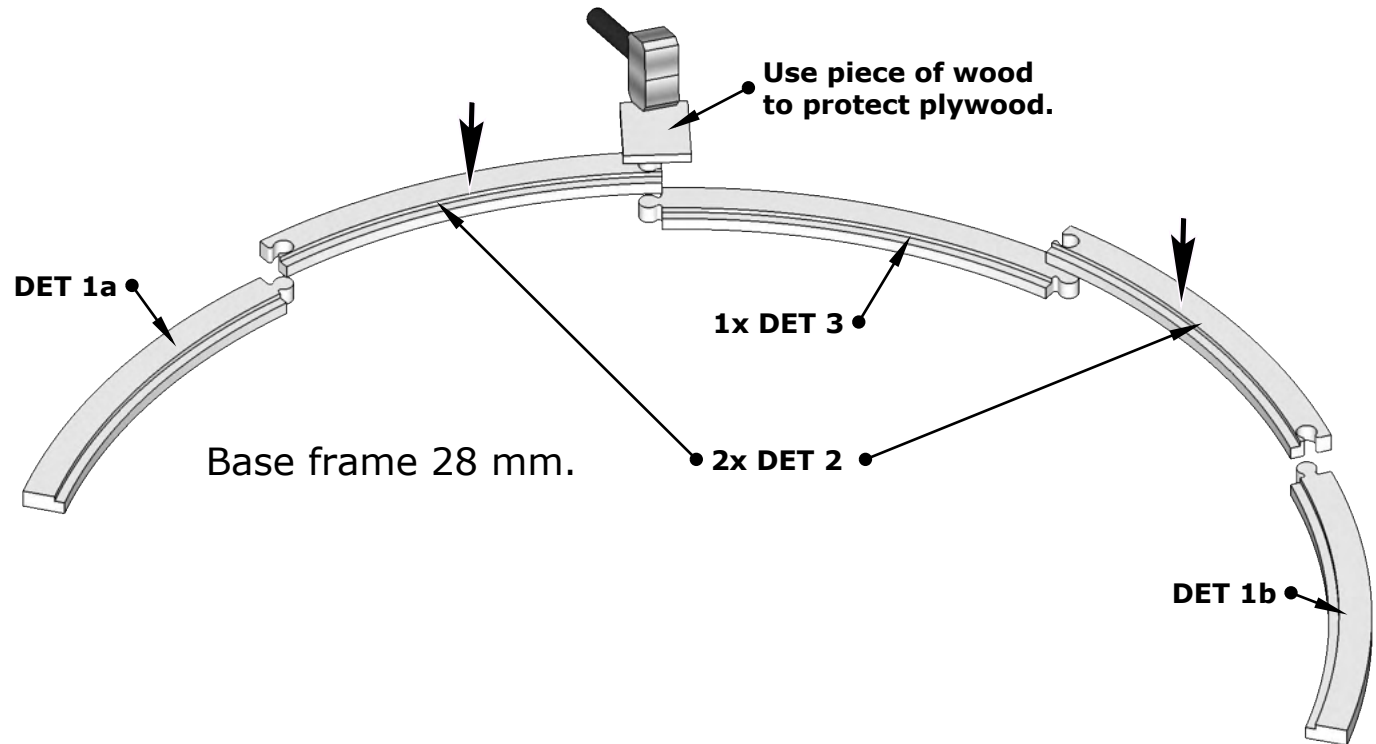
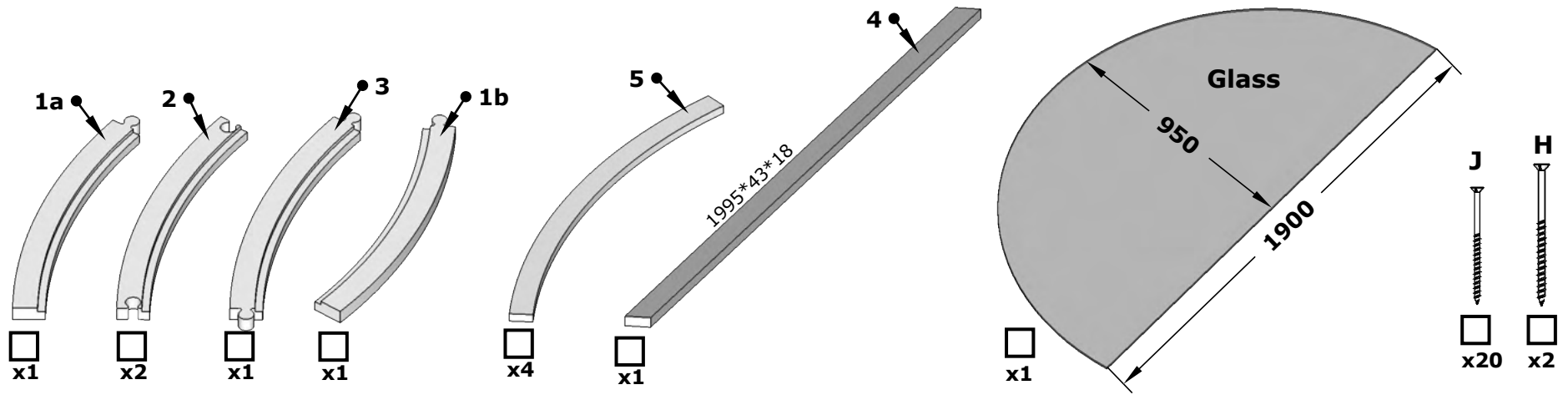
Use piece of wood to protect plywood



**Please be careful!!!  
Do not hit the glass  
with the screw.**

# Half-moon glass wall mounting

(Wall thickness 28 mm.)

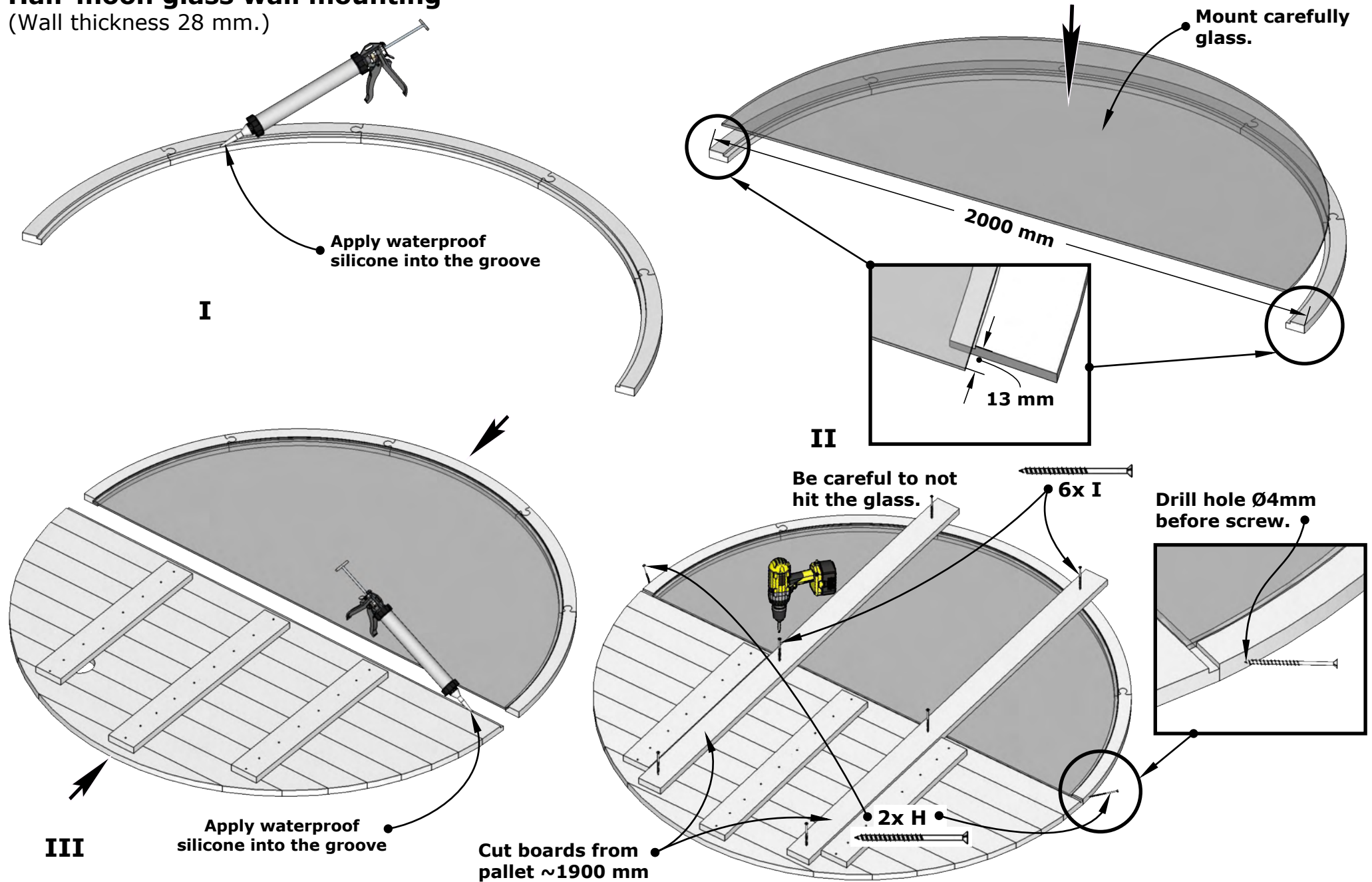


**1.**



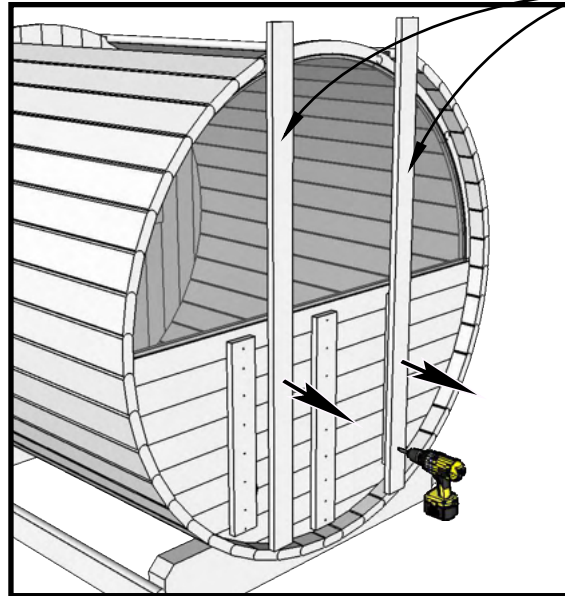
# Half-moon glass wall mounting

(Wall thickness 28 mm.)



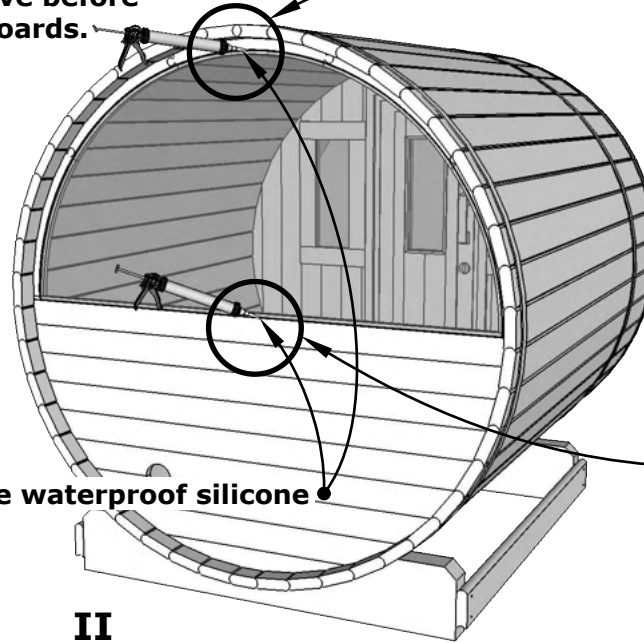
# Half-moon glass wall mounting

(Wall thickness 28 mm.)



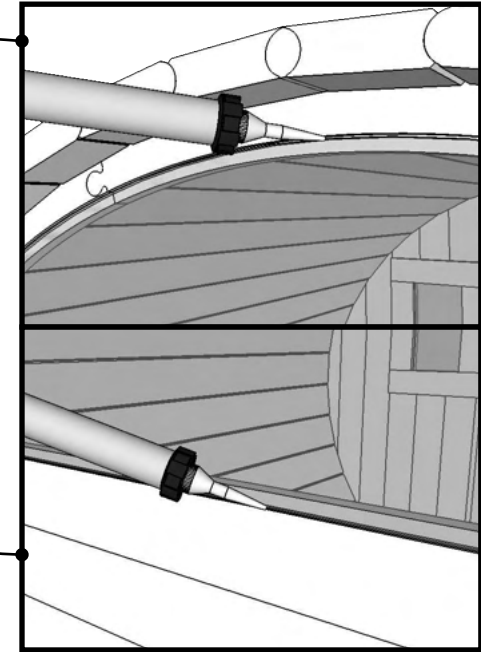
**I** Please check main installation manual before proceed this step.

Remove before last boards.



Use waterproof silicone

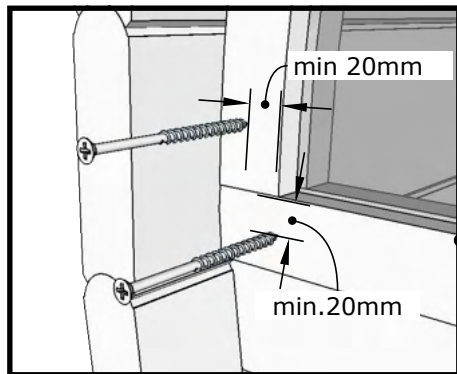
**II**



Cut last detail on right size.

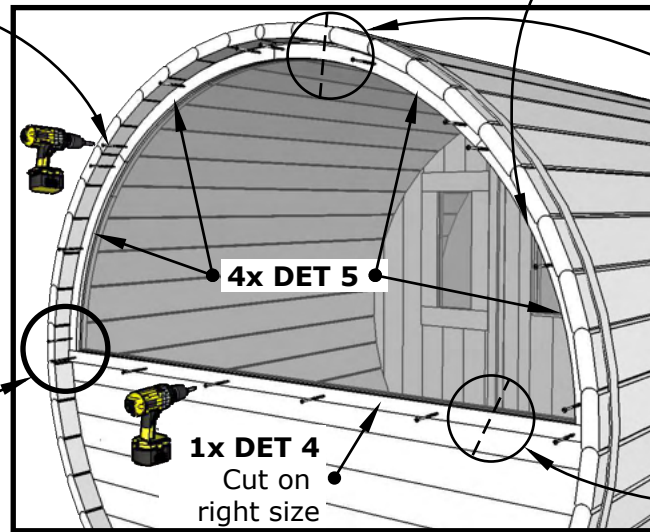
Remove any excess silicone with wet cloth.

Be careful! Do not hit the glass!



**3.**

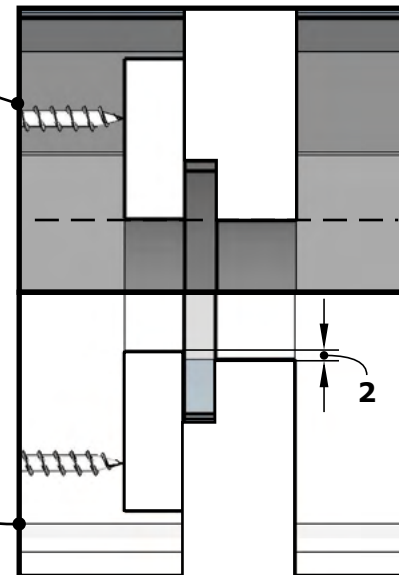
18x J



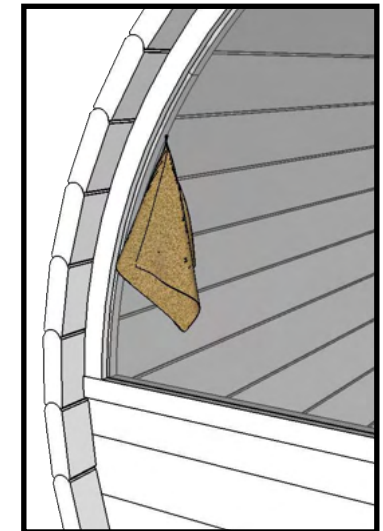
**III**

4x DET 5

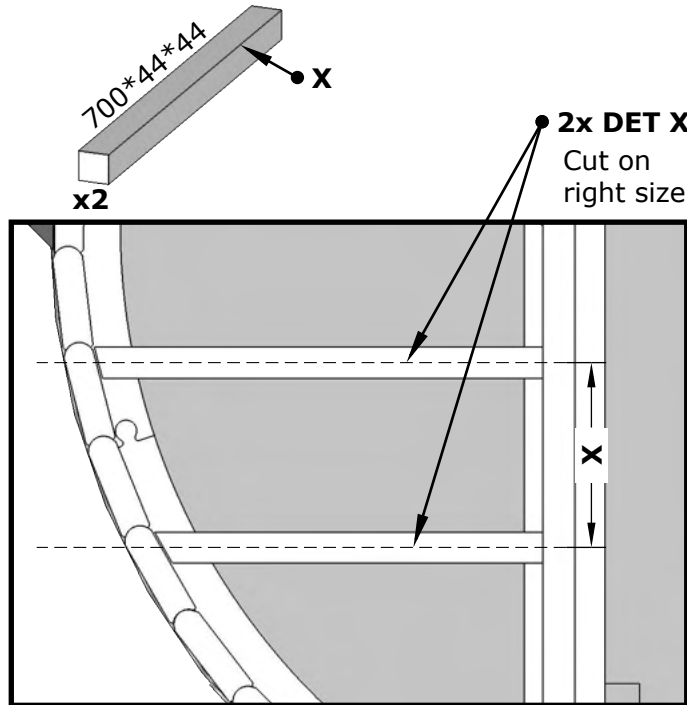
1x DET 4  
Cut on right size



**IV**

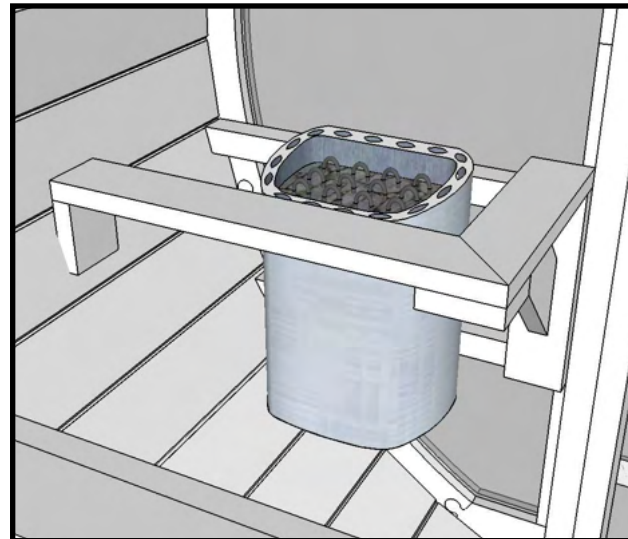


# El.heater installation



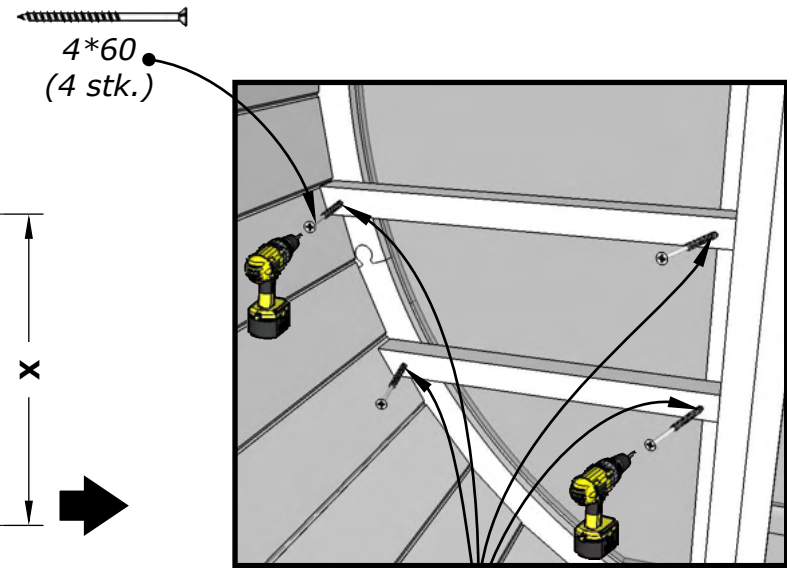
**I**

**NB! Check Your el.heater user manual to install heater!**



**III**

**NB! Check Your el.heater user manual to find correct measurements!**



**Proceed with main installation manual!**