

Assembly instructions



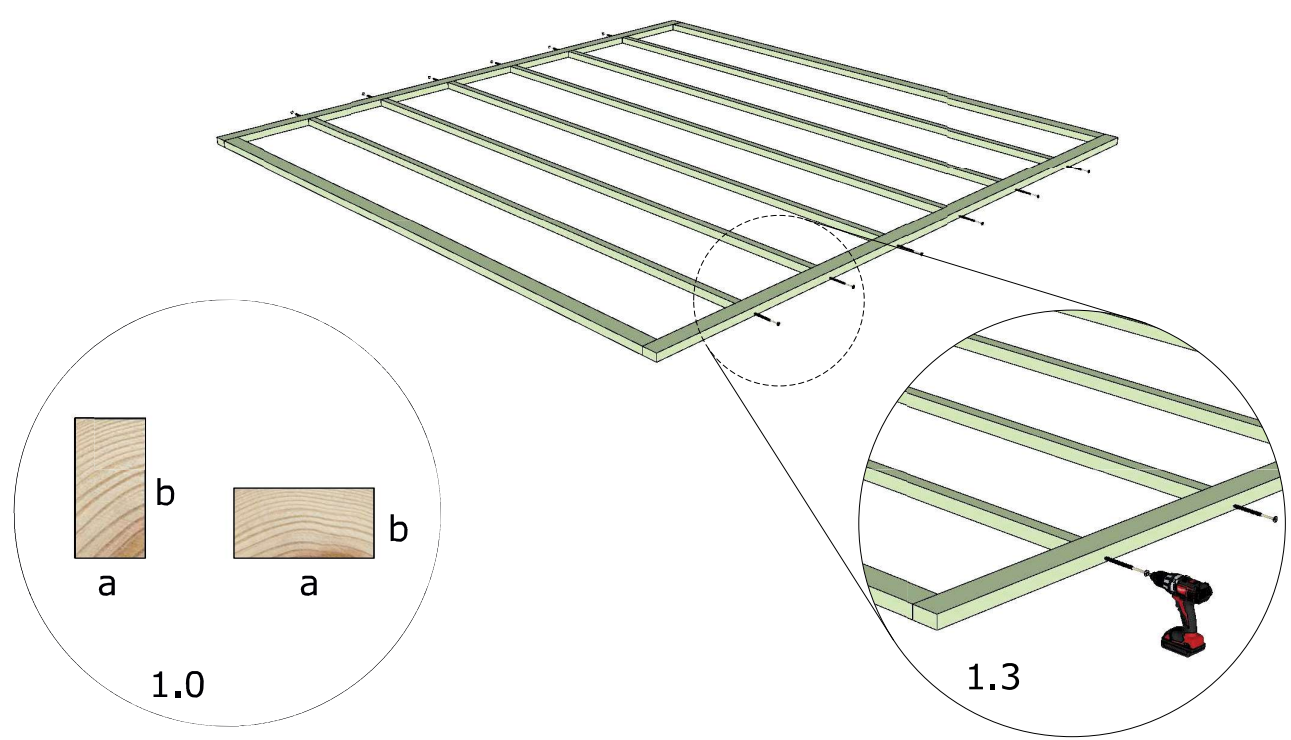
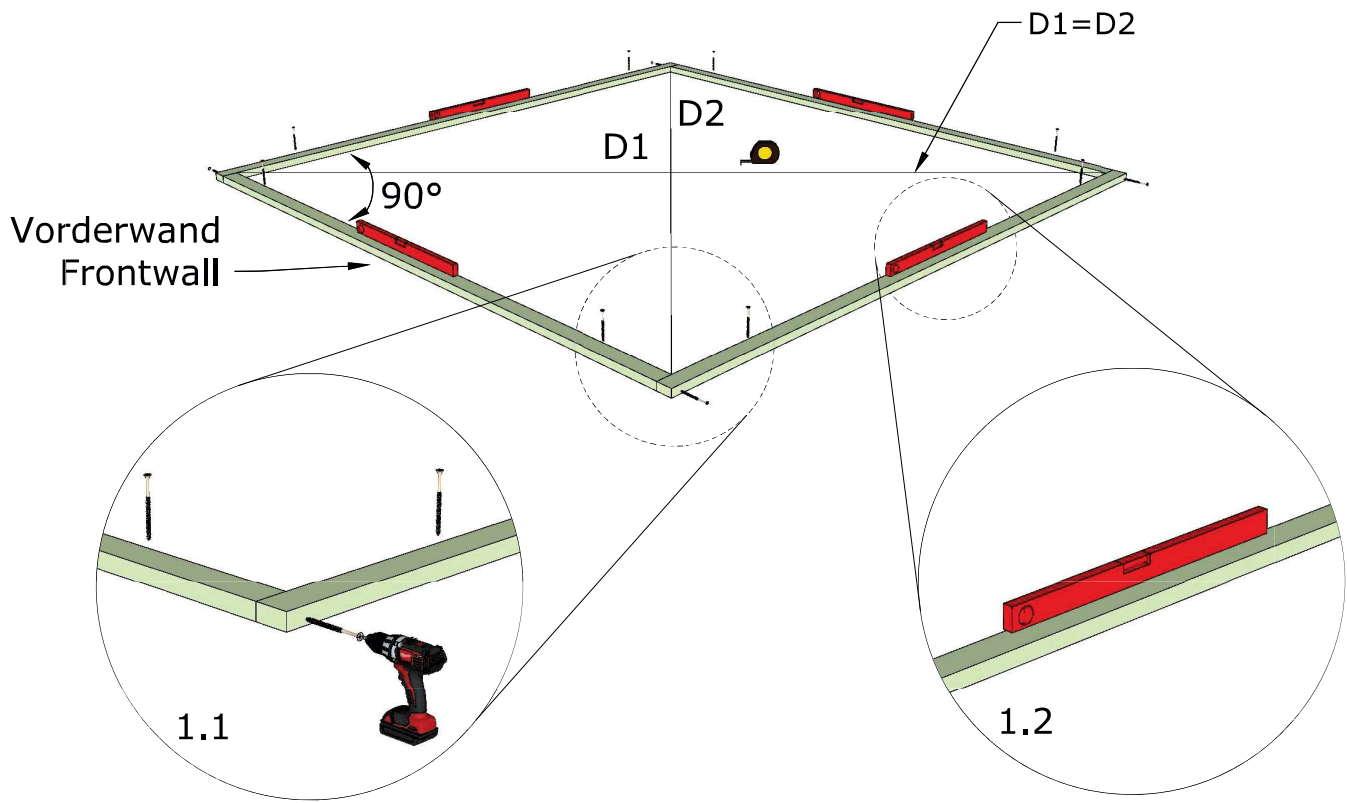
Thank you for purchasing one of our garden houses.

Please read the following instructions carefully before you assemble the product. This will prevent errors or damages during the assembly and enable the assembly without any problems so that you can then enjoy your new garden house. These are basic instructions. You will find the detailed plans for this design on the page with the title "PLAN" or "WALL". Regarding the measurements of the cross section of the base frame, wall blanks and roof beam AxB are identified with the first digit (A) of the horizontal dimension, and the second digit (B) of the vertical dimension. See diagram 1.0

- 1.1** Depending on the design of the house, the floor panels can be vertical or horizontal. Please pay attention to the outer measurements of the base frame during laying the floorboards; more information can be found in the PLAN drawing. Fasten the base frame with screws. If possible, fasten the base frame to the foundation. Diagonals must be of the same lengths.
- 1.2** Make sure it is vertical.
- 1.3** Fasten the intermediate beams according to the preset spacing. See "Plan".
- 2.1** The wall plank must be 5-10 mm above the edge of the base frame.
- 2.2** The first wall plank row must be fixed with screws to the base frame. The length of the walls on the opposite side must be the same ($A = B$).
- 2.3** Put the second row of planks in place and fix it with screws to the first row of planks.
- 3.1** Fasten the walls according to the wall drawings "WALL". Make sure during the assembly that the holes in the wall bar are aligned with the holes in the wall. Push the wall plank downward with a hammer. Use a rubber hammer.
- 3.2** To fasten some of the wall parts of the window and door temporarily, use a slat of 30x30 mm.
- 3.3** Fasten the gable parts with screws.
- 3.4** Fasten the purlins with PR screws. Make sure the upper side of the purlins is oblate. If necessary, adjust the tapping of the purlins.
- 4.1** Assemble the decorative window and door strips 30x30 mm. Fasten them only from below with screws.
- 4.2** Leave space above for lowering.
- 4.3** Install the threaded rod from above into the holes until 2 cm are visible at the lower end of the holes. If necessary, use a hammer.
- 4.4** Place a nut onto the threaded rod.
- 4.5** Turn the upper nut against the wall plank. Cut off the excess part of the threaded rod. First, fasten the upper nut with the hammer to the wall plank, then fasten the lower nut.
- 5.1** Fit the roof boards with nails or screws. This work should only be carried out during dry weather conditions. Start with the groove edge on the board. Make sure during the assembly that the lower edge of the roof board is straight.
- 5.2** Cut the last roof board to the correct width. The edge must be aligned with the wall plank and the purlins.



- 6.1** Fit the mount (eaves reinforcement). Cut the correct lengths and fasten them.
- 6.2** Cut the end parts of the gable roof to the correct length and fasten them with screws.
- 7.1** During the fitting of the floorboards you must leave at least 5 mm space between the floorboards and the wall planks.
- 7.2** Fasten the floorboards with nails or screws.
- 7.3** Cut the final floorboard to the correct width.
- 8.1** Fit the doorframe.
- 8.2** Fasten the external vertical doorframe slat to the doorframe.
- 8.3** Install the door seal. We recommend removing the door and window seals before varnishing. Do not apply varnish to the window and door mechanisms. Keep them assembled.
- 8.4** Fasten the hinges with a hex driver.
- 9.1** To fix the doors and windows, fix them first to the upper horizontal slats. Screw windows and doors only to the frame and not to the wall planks. The slats must be 2 cm above the frame.
- 10.1** and **10.2** If necessary, lift the window upward by placing some wood under the window.
- 10.3** Install water sheet metal at the windows and then at the window covering slats.
- 10.4** First install the floor skirting boards. Then install the vertical covering boards inside and outside. If necessary, cut them to the needed size. Install the horizontal covering boards inside and outside. If necessary, cut them to the needed size.
- 11.1** Fasten the hinges with a hex driver.
- 11.2** Install the door lock.
- 11.3** On double doors please screw a covering board on the inside and outside to cover any gaps. This profile length must be cut to the exact measurement.
- 11.4** Adjust the door.
- 11.5** Install the panels for the latches.
- 12.1** and **12.2** The plank should be installed when the lines of the wall plank have reached the necessary height. Fasten the panel with the hole first to the floor plank. Then sink the lower side of the countersunk screw into the hole. Put the plank into place and fasten it with a screw to the upper side (diagram 12.2). Adjust the height of the plank with the lower nut in such a way that the wall rail on the plank is horizontal. Make sure the space between the panels is 50-70 mm (diagram 12.1). If necessary you can shorten the lower side of the planks. Place the post after the fitting of the wall mount in a completely vertical position and fasten it to the floor frame or foundation through the floorboards. Fasten the upper end tightly. Since the measurements of the wood decrease in radial direction (wall plank) but not so in axial direction (post), you should turn the threaded nut somewhat downward after a few months, in order to assure the horizontality of the wall planks on the posts.
- 13.1** Fasten the floorboards with nails or screws.
- 13.2** Install the lateral terrace board.
- 13.3** Install the handrail. Since the wall plank dries out with time, it might be necessary after a few months to shorten the vertical hand rails at the lower side facing the floor.



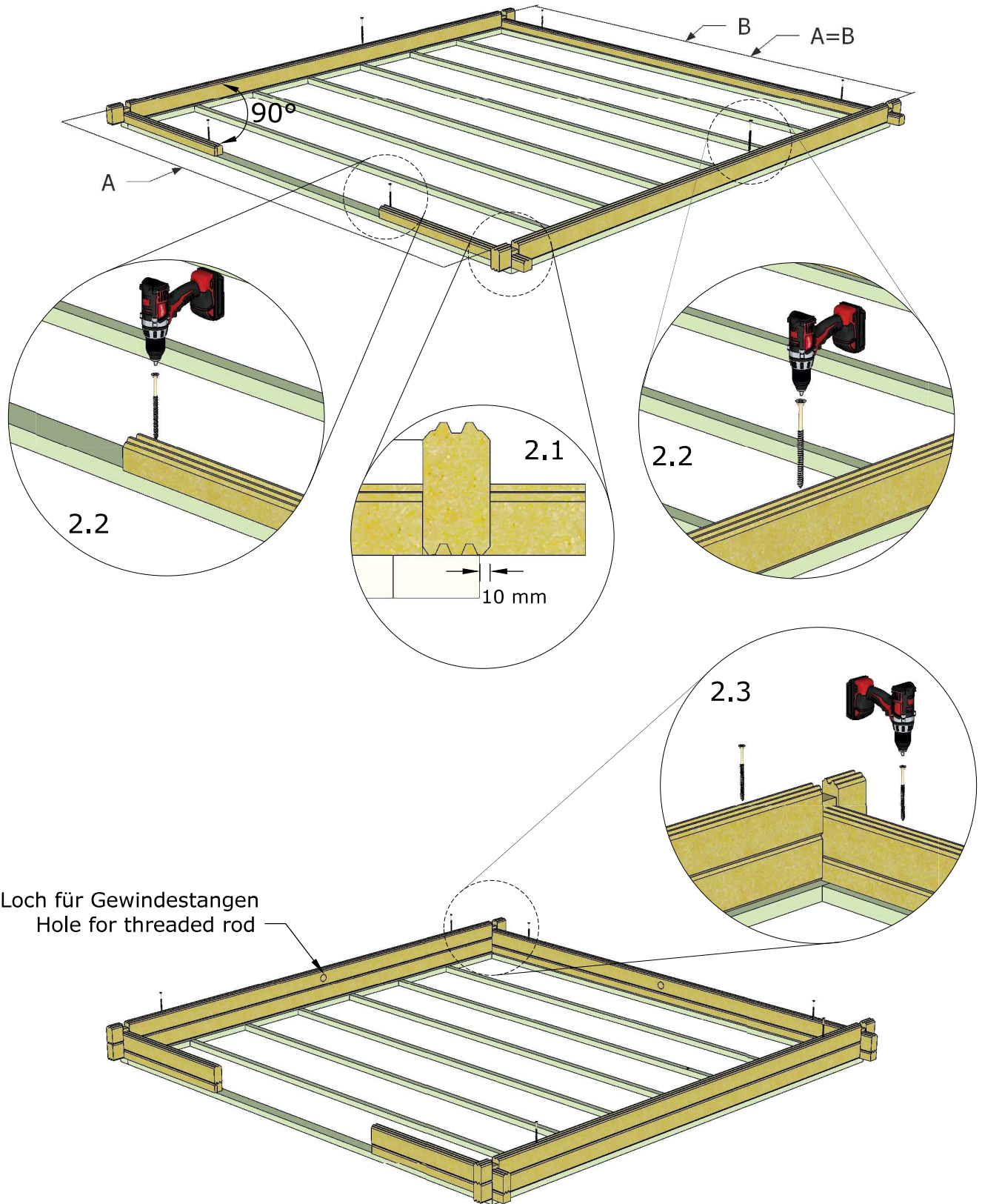
1



Grundrahmen



Groundframe



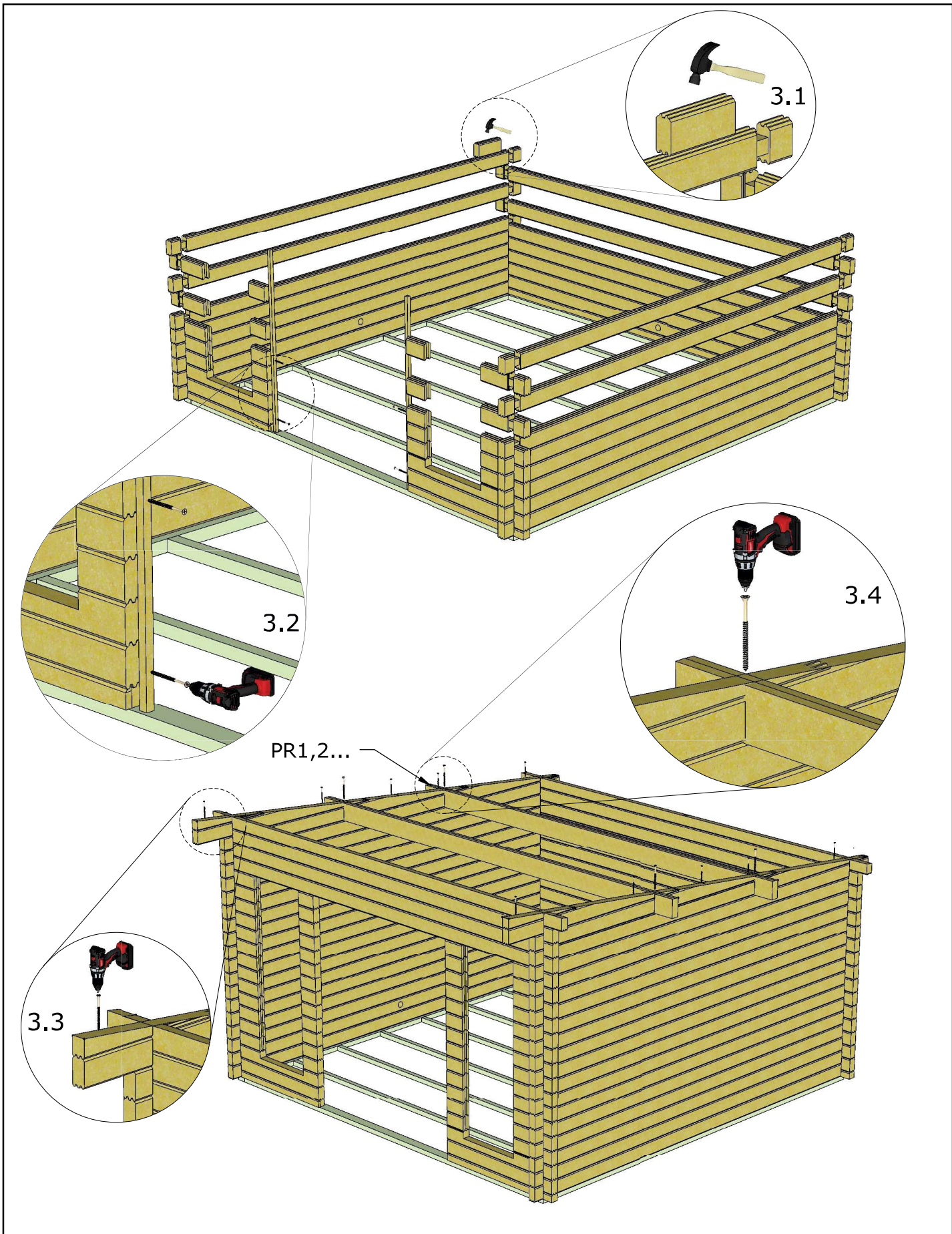
2



Installieren 1-2 wandreihe



Installing 1-2 wall rows



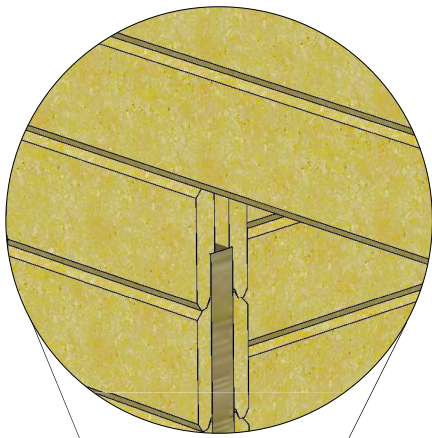
3



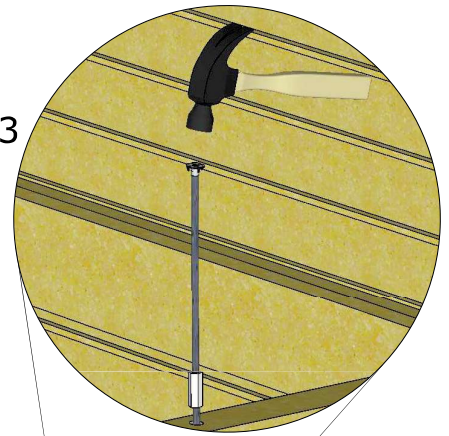
Wandmontage



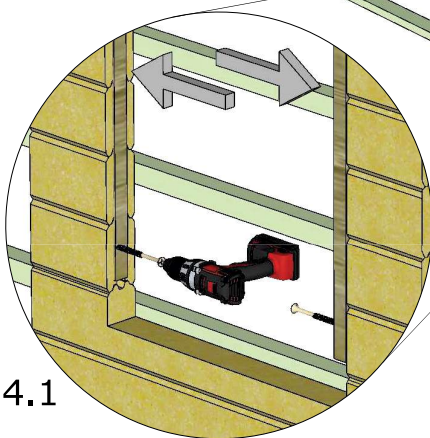
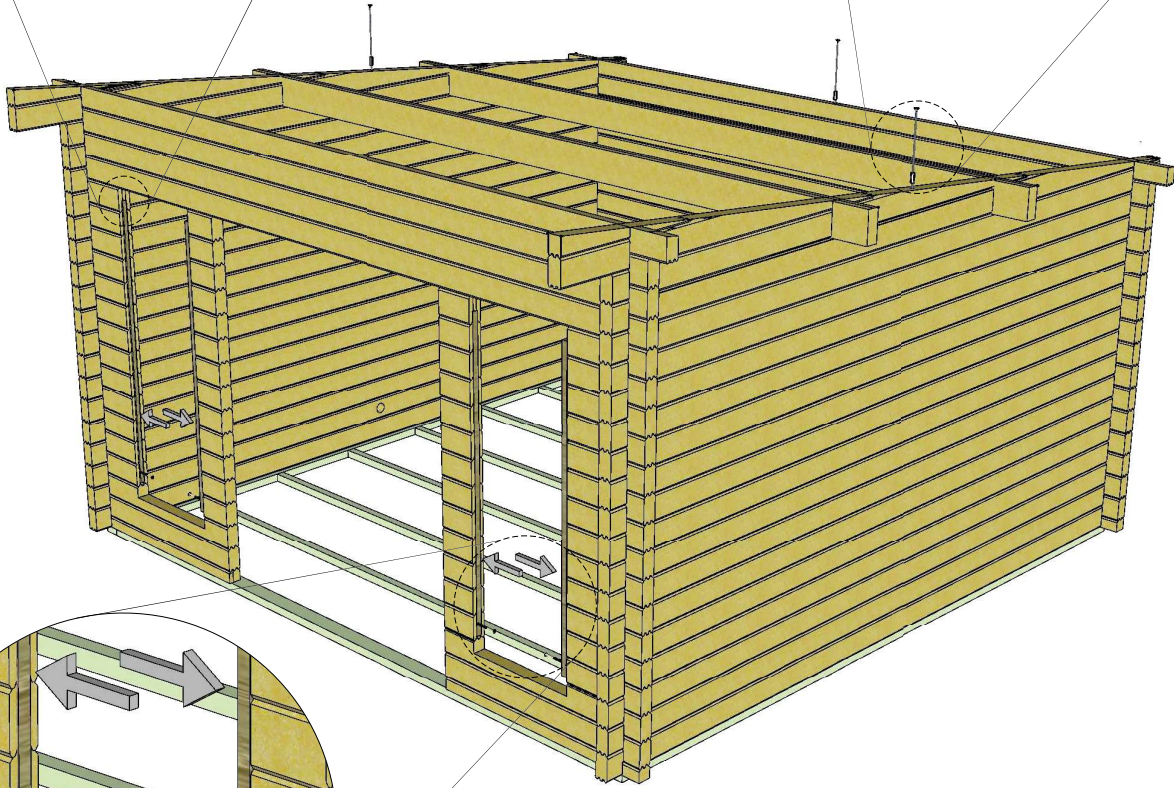
Installing walls



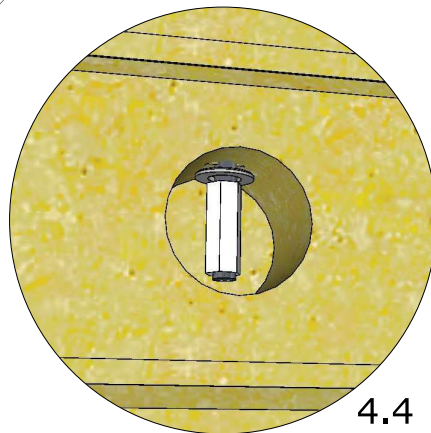
4.2



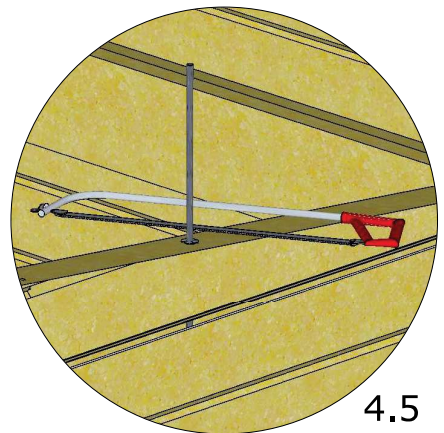
4.3



4.1



4.4



4.5

4

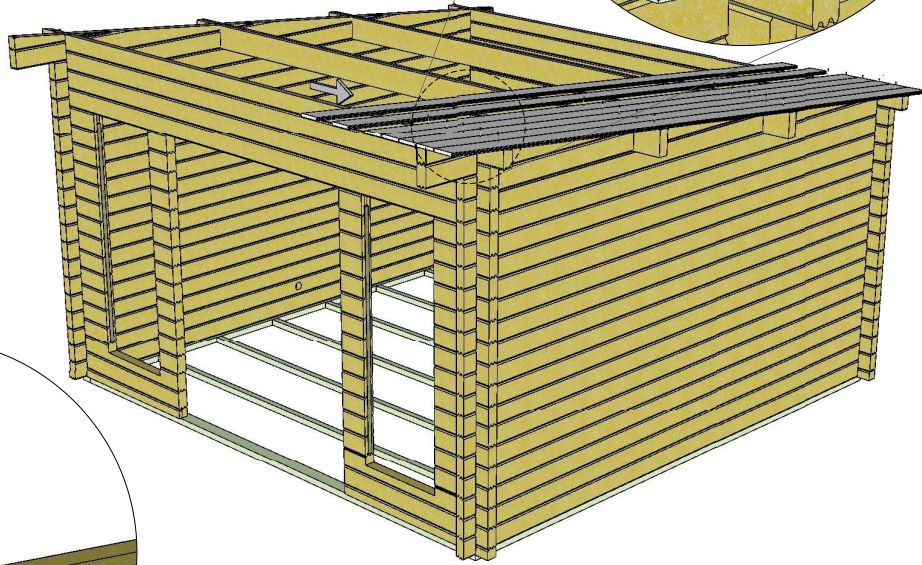
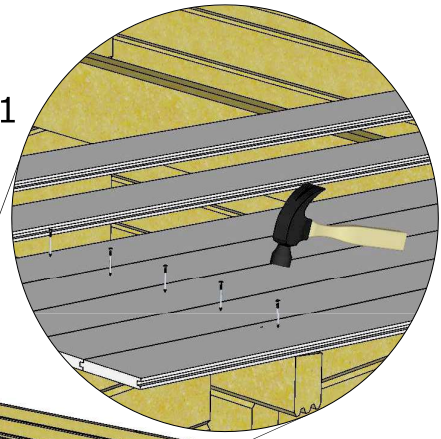


Gewindestangen, 30x30 mm leiste

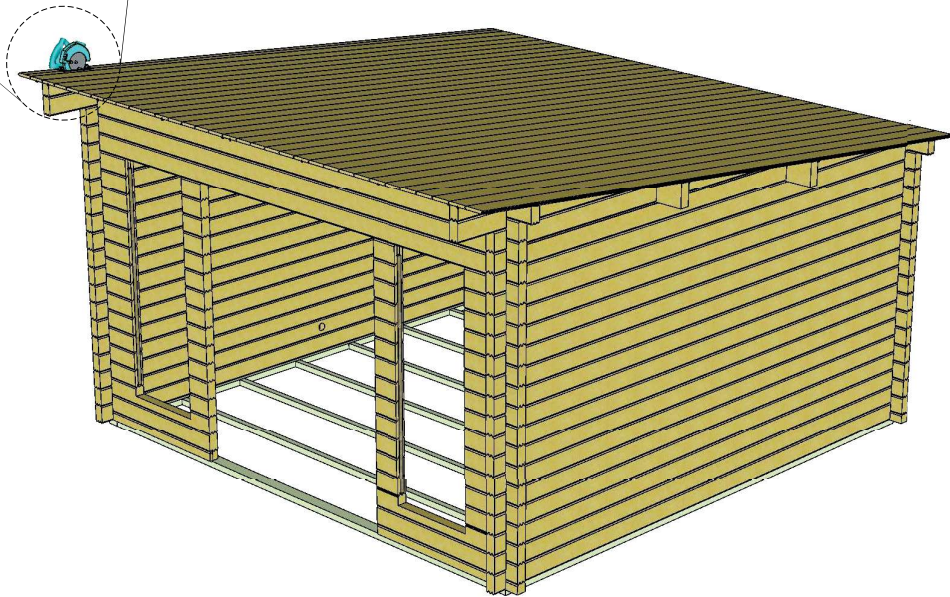
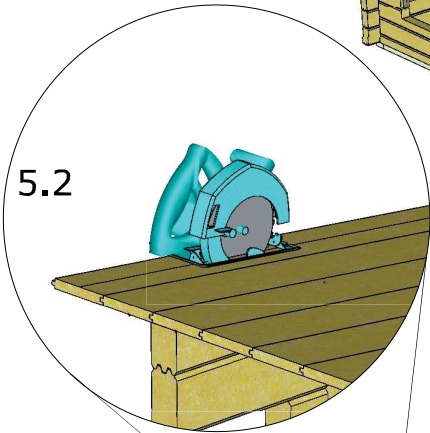


Threaded rod, 30x30 mm bar

5.1



5.2



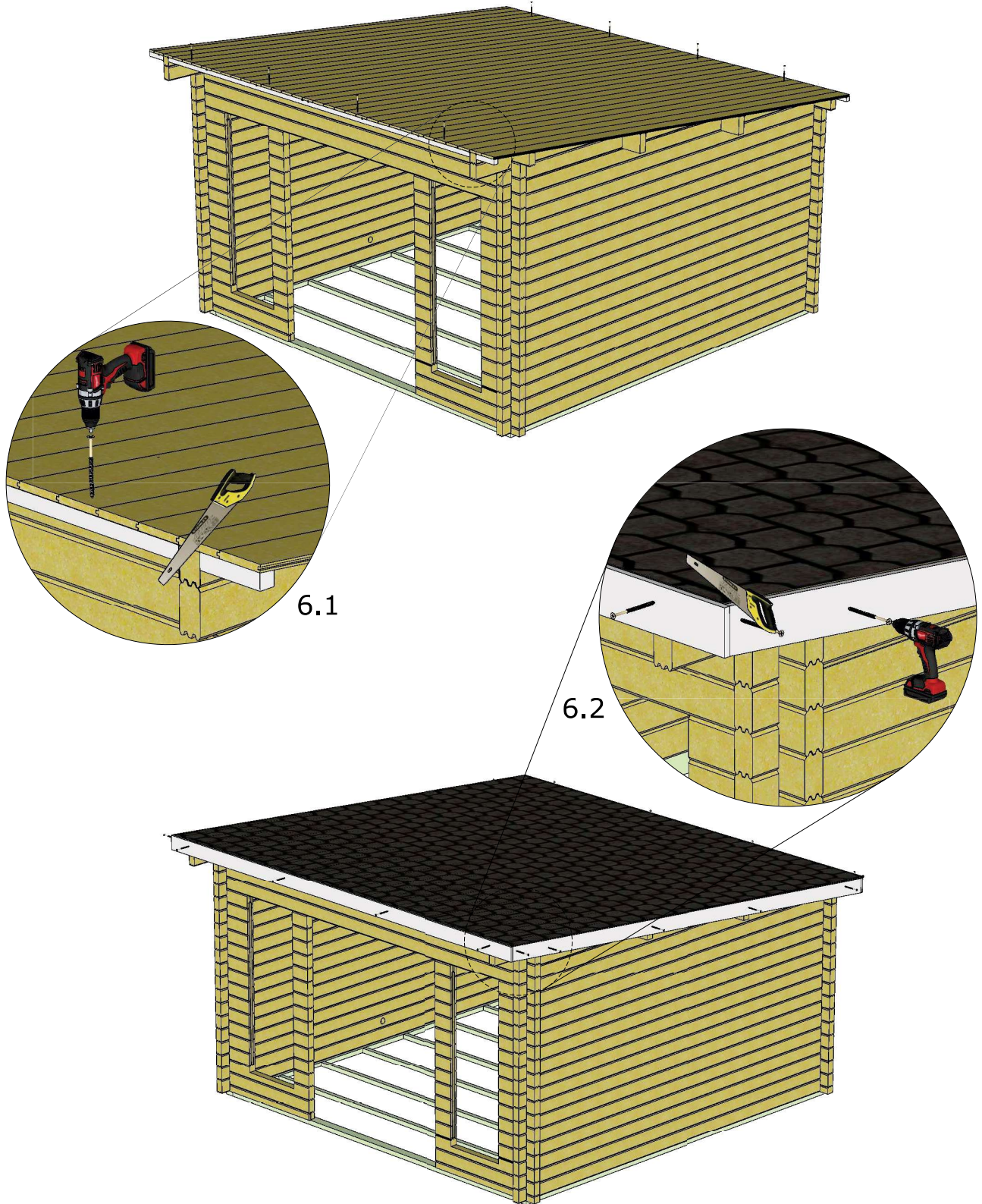
5



Dachbretter



Roof boards



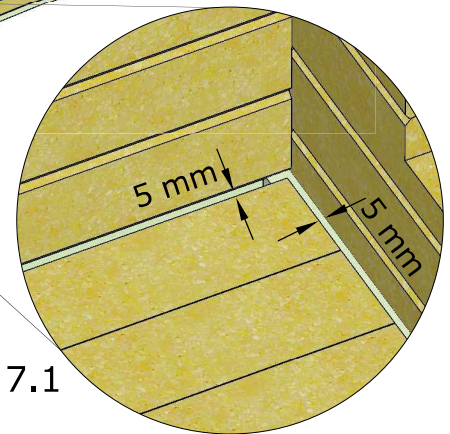
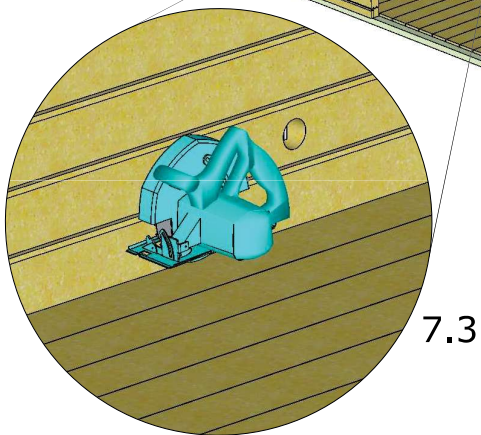
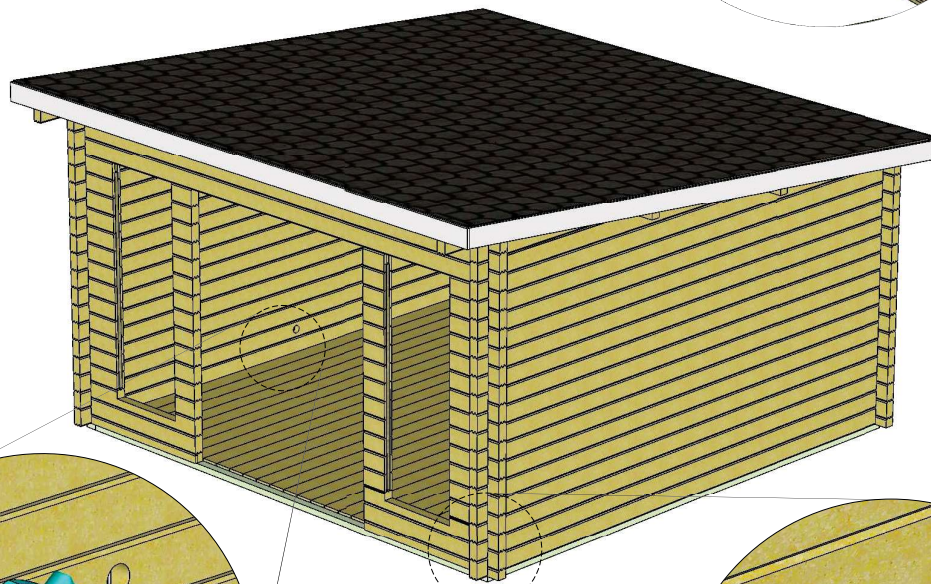
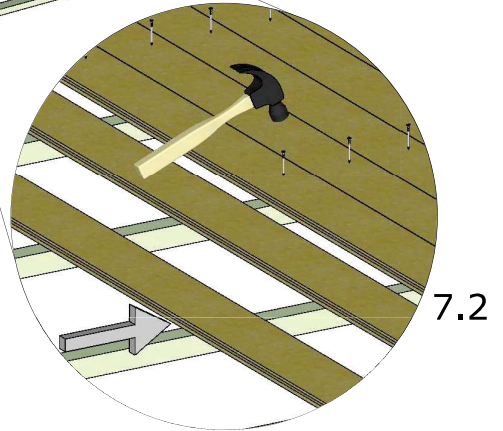
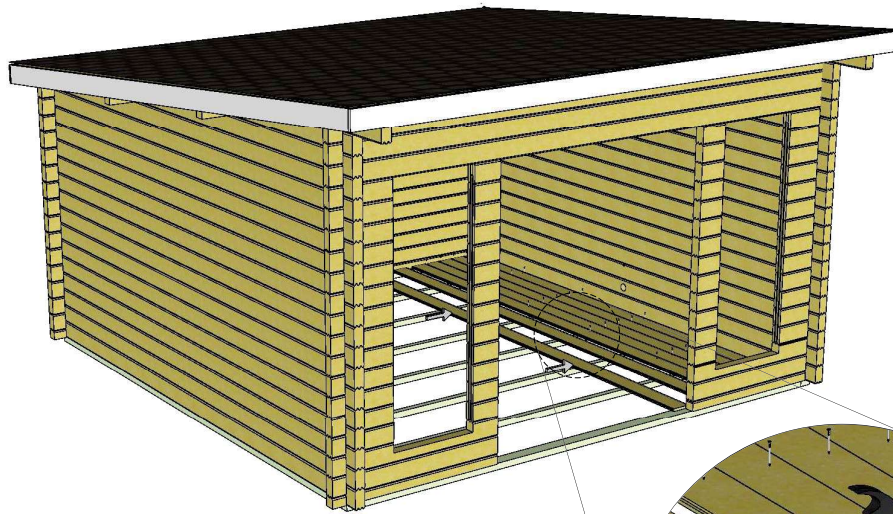
6



Abdeckleisten



Covering strips



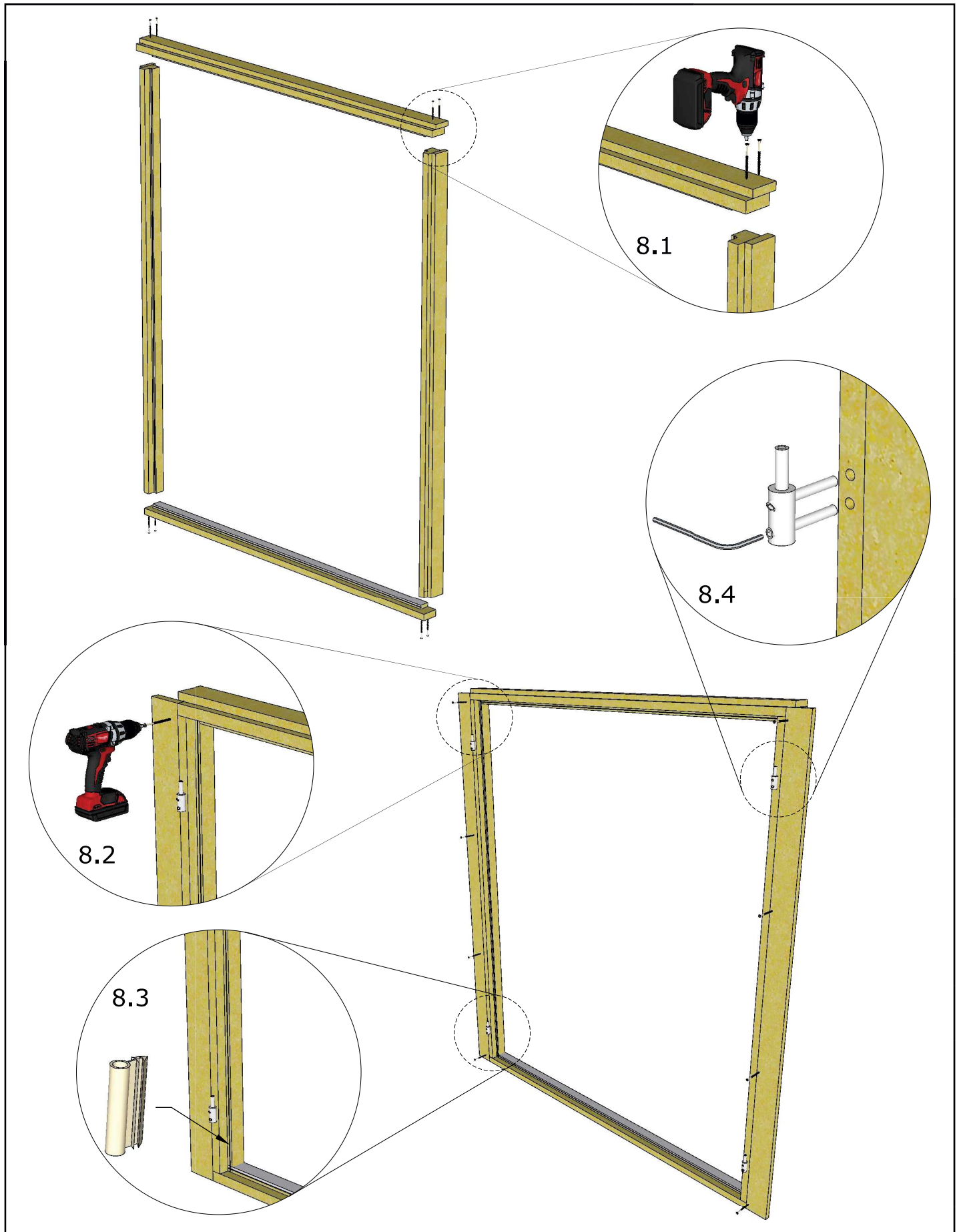
7



Fußbodenbretter



Floor boards



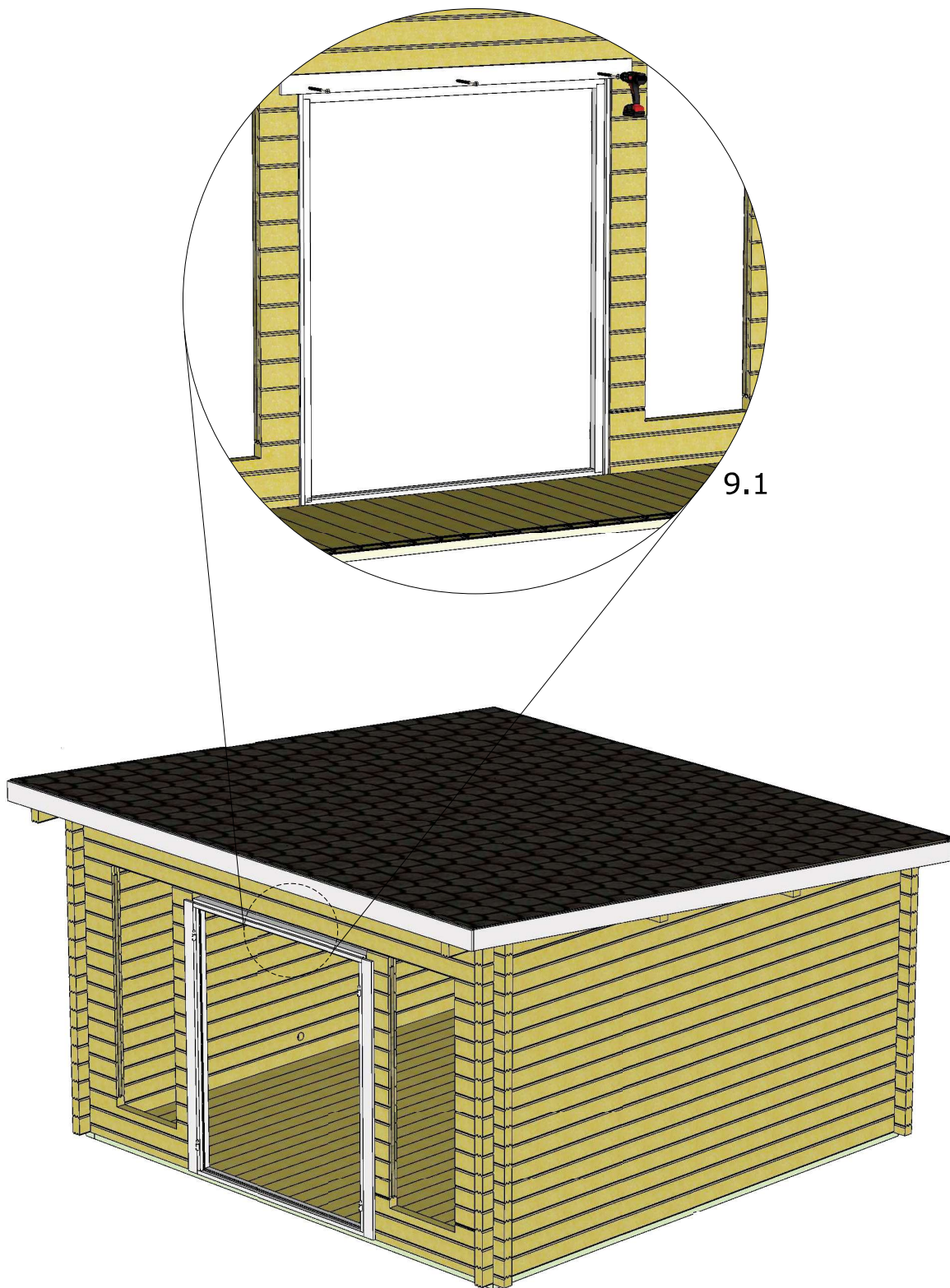
8



Türrahmen



Door frame



9.1

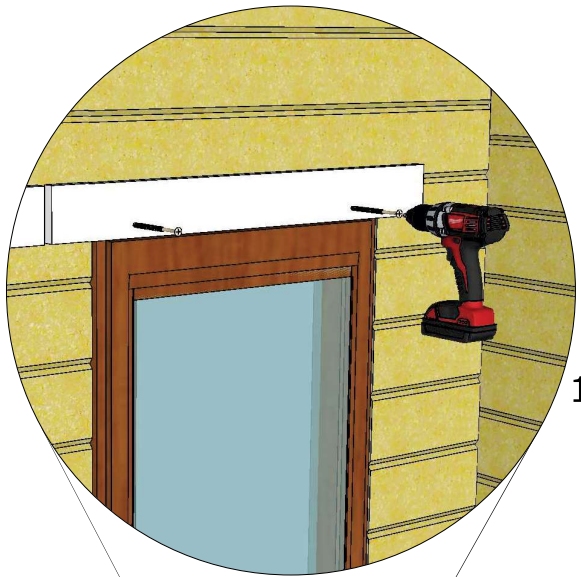
9



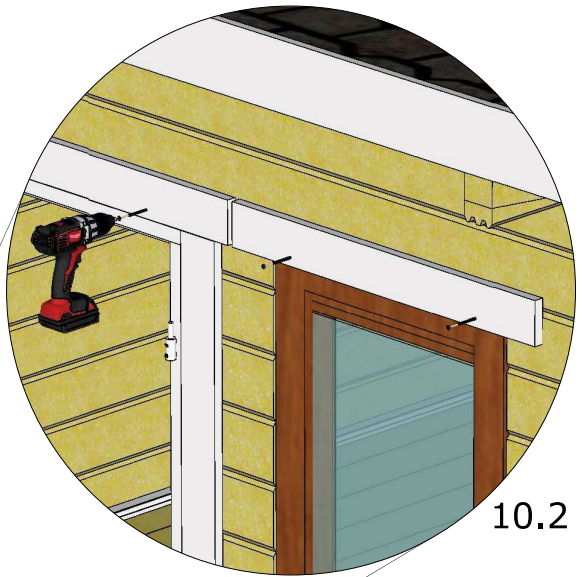
Tür



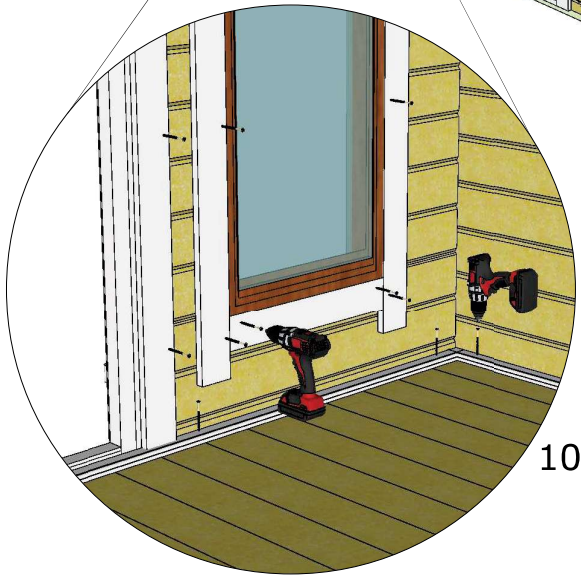
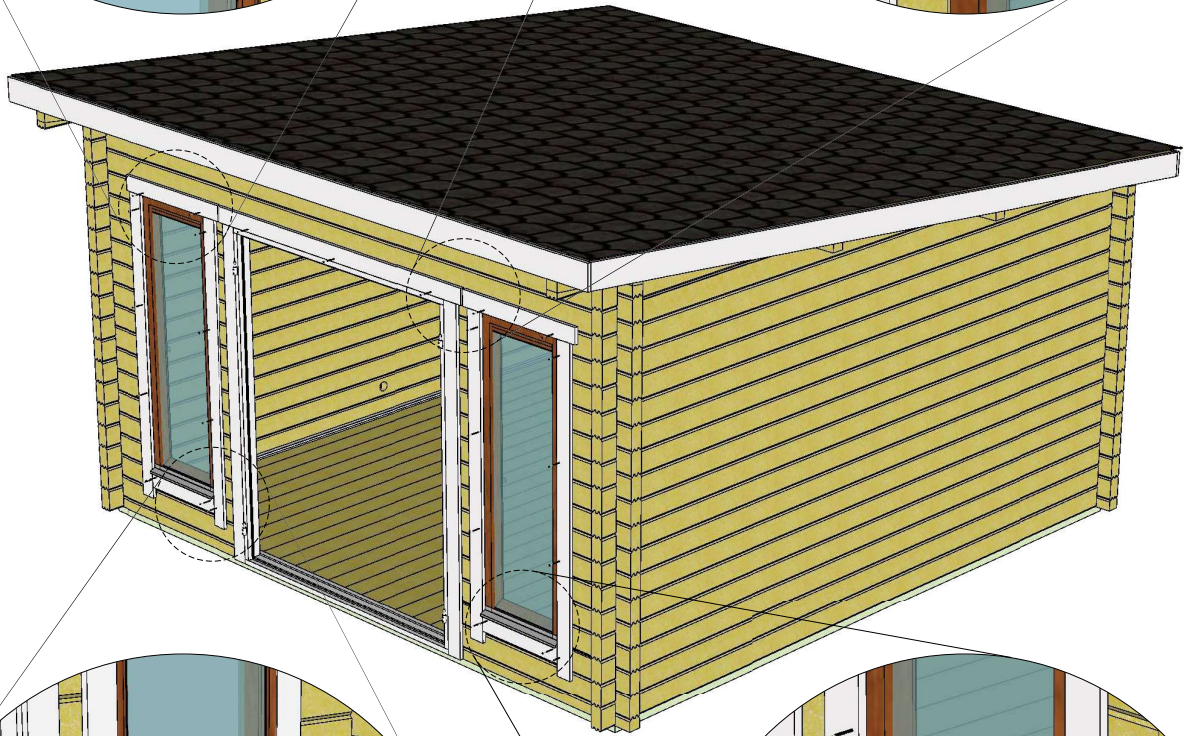
Door



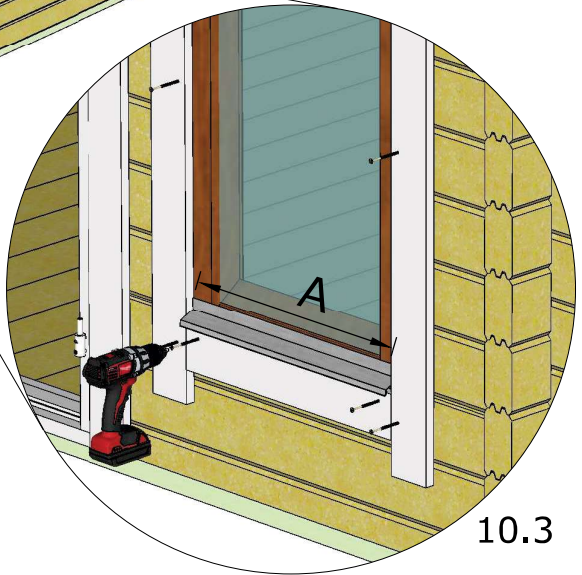
10.1



10.2



10.4



10.3

10

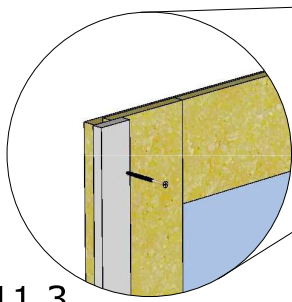


Fenster

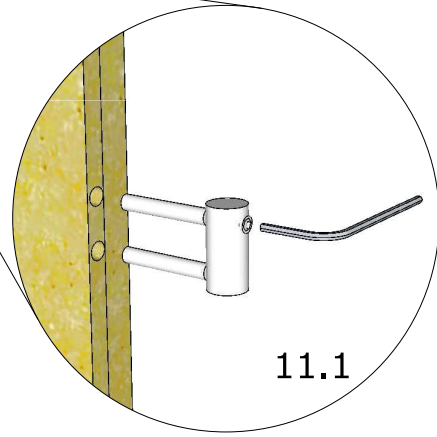


Windows

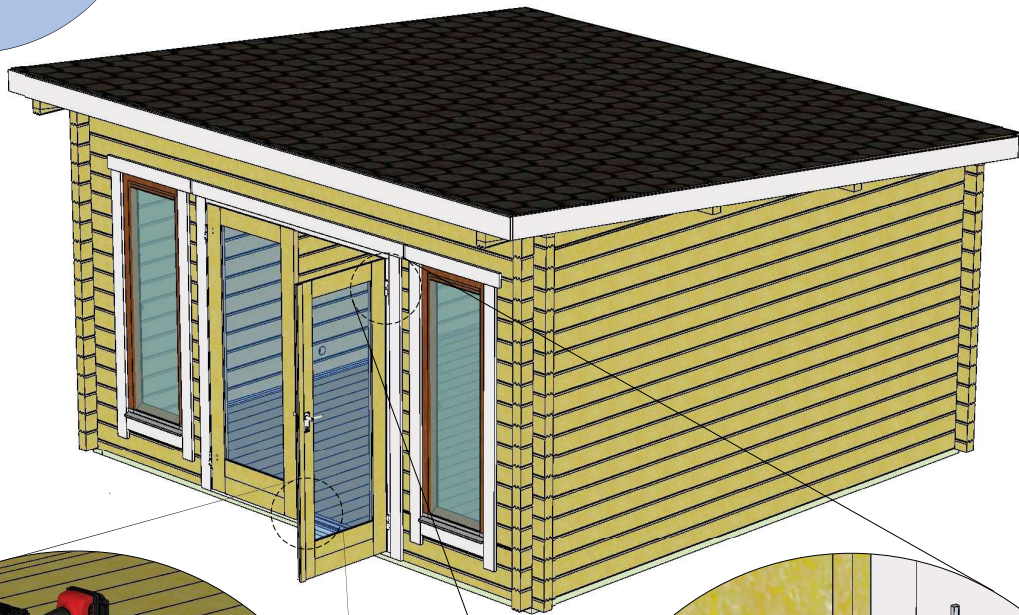
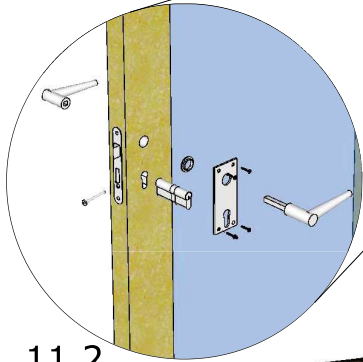
11.3



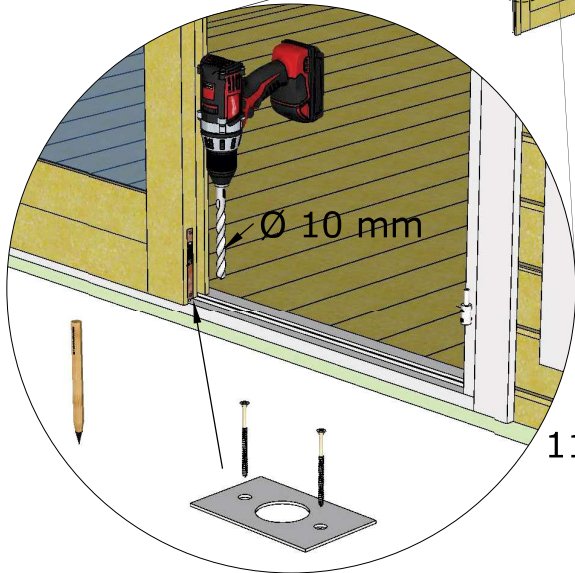
11.1



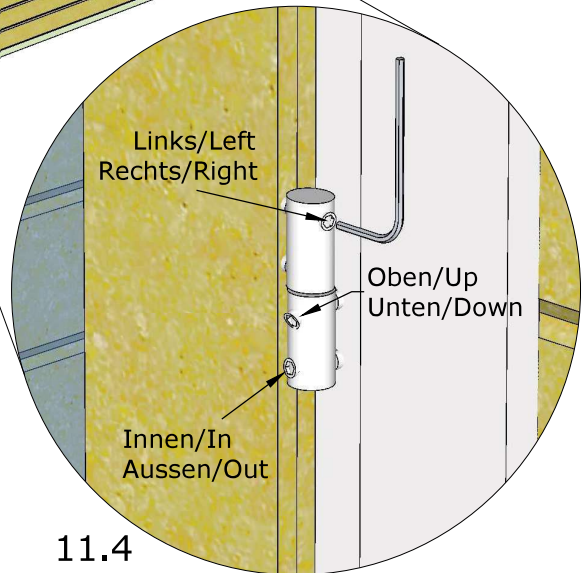
11.2



11.5



11.4



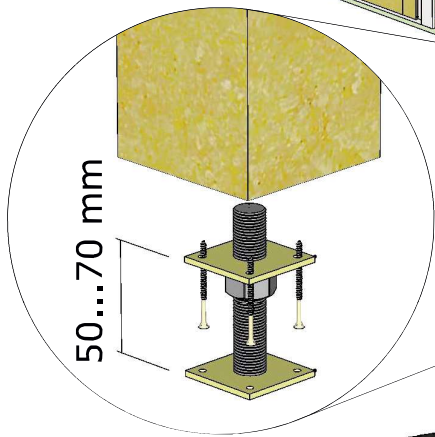
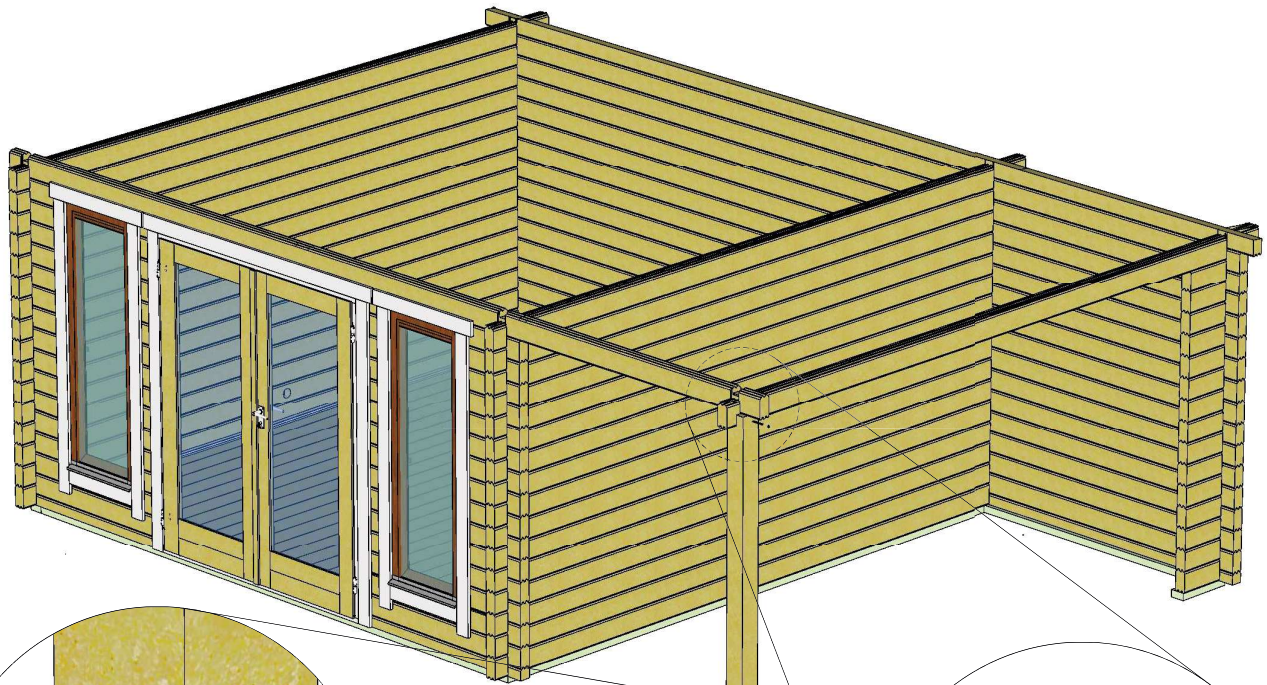
11



Tür

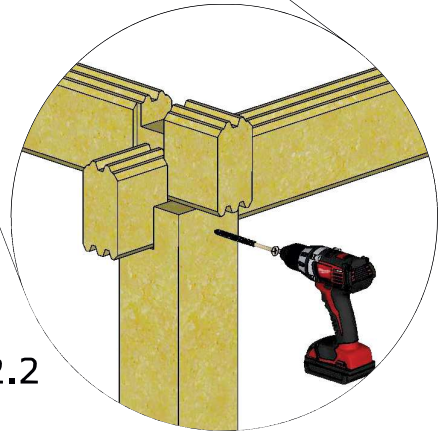


Door

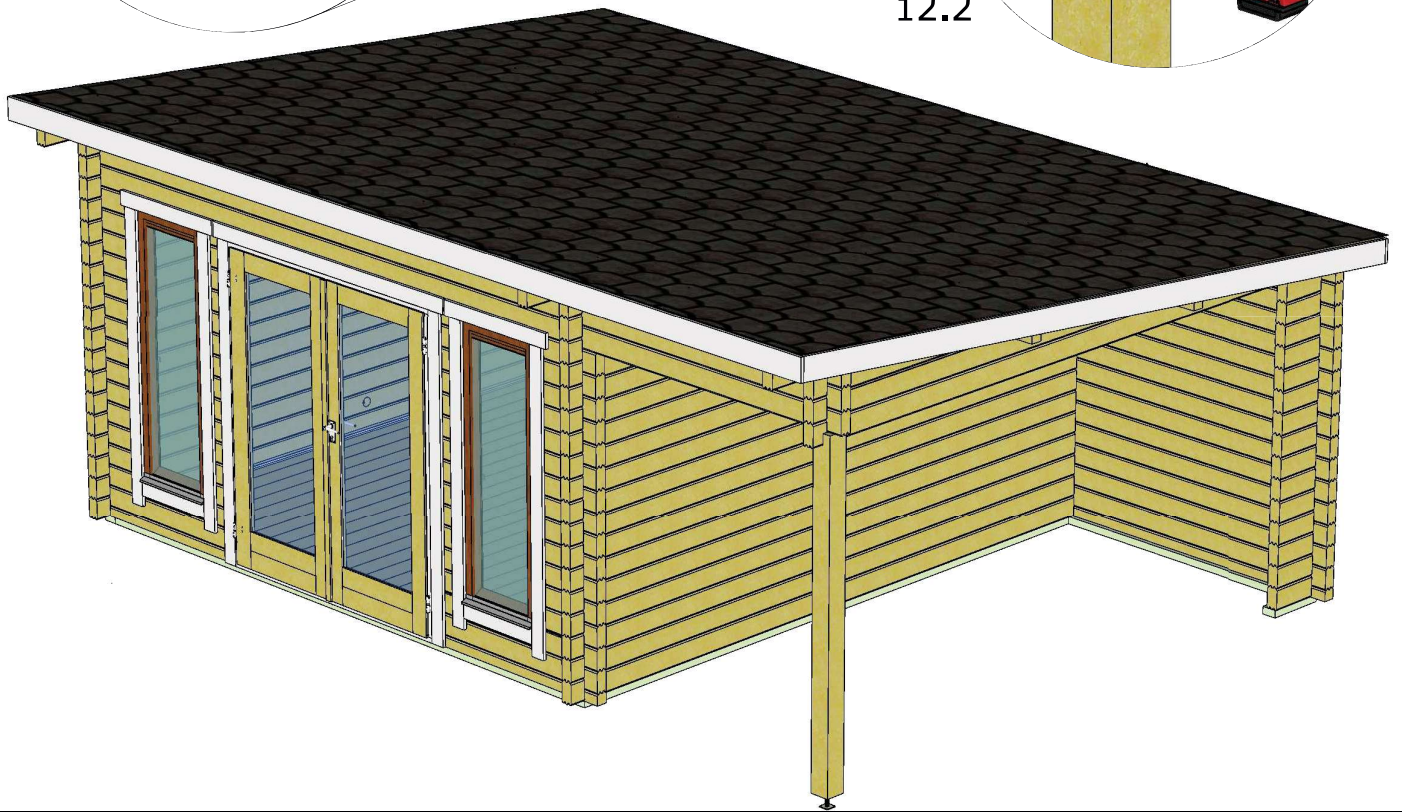


50...70 mm

12.1



12.2



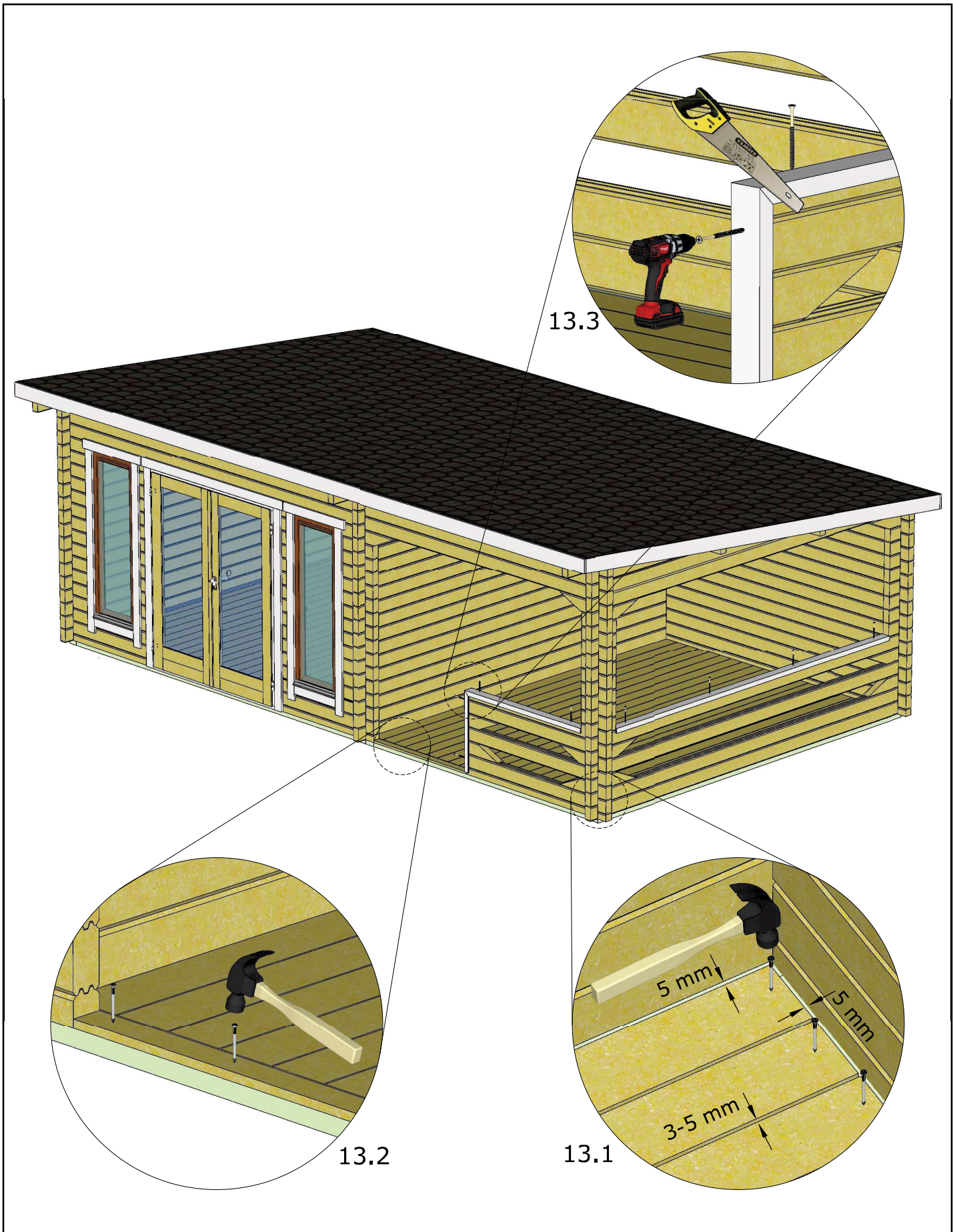
12



Post



Post



13.3

13.2

13.1

13



Terrasse



Terrace