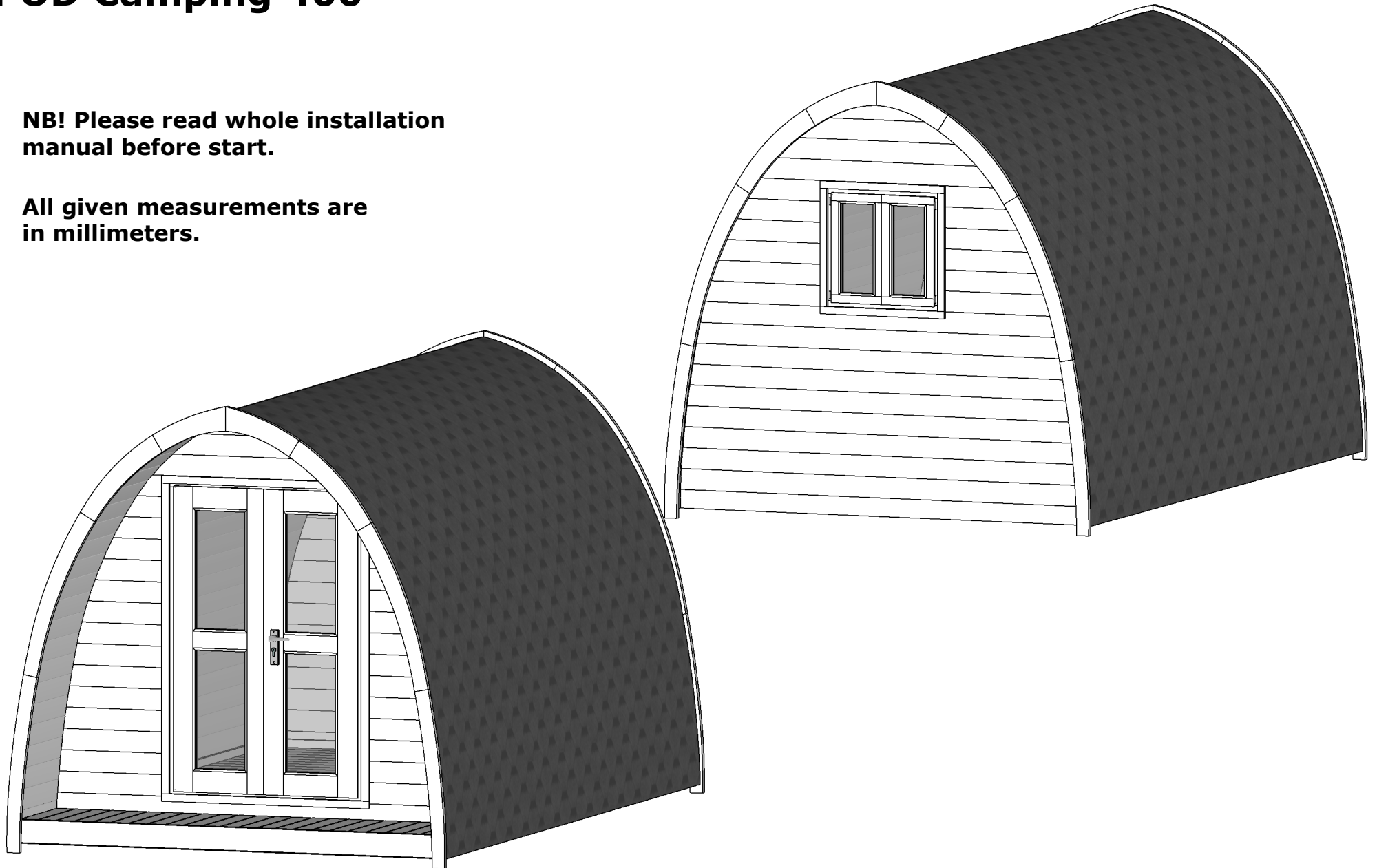


POD Camping 400

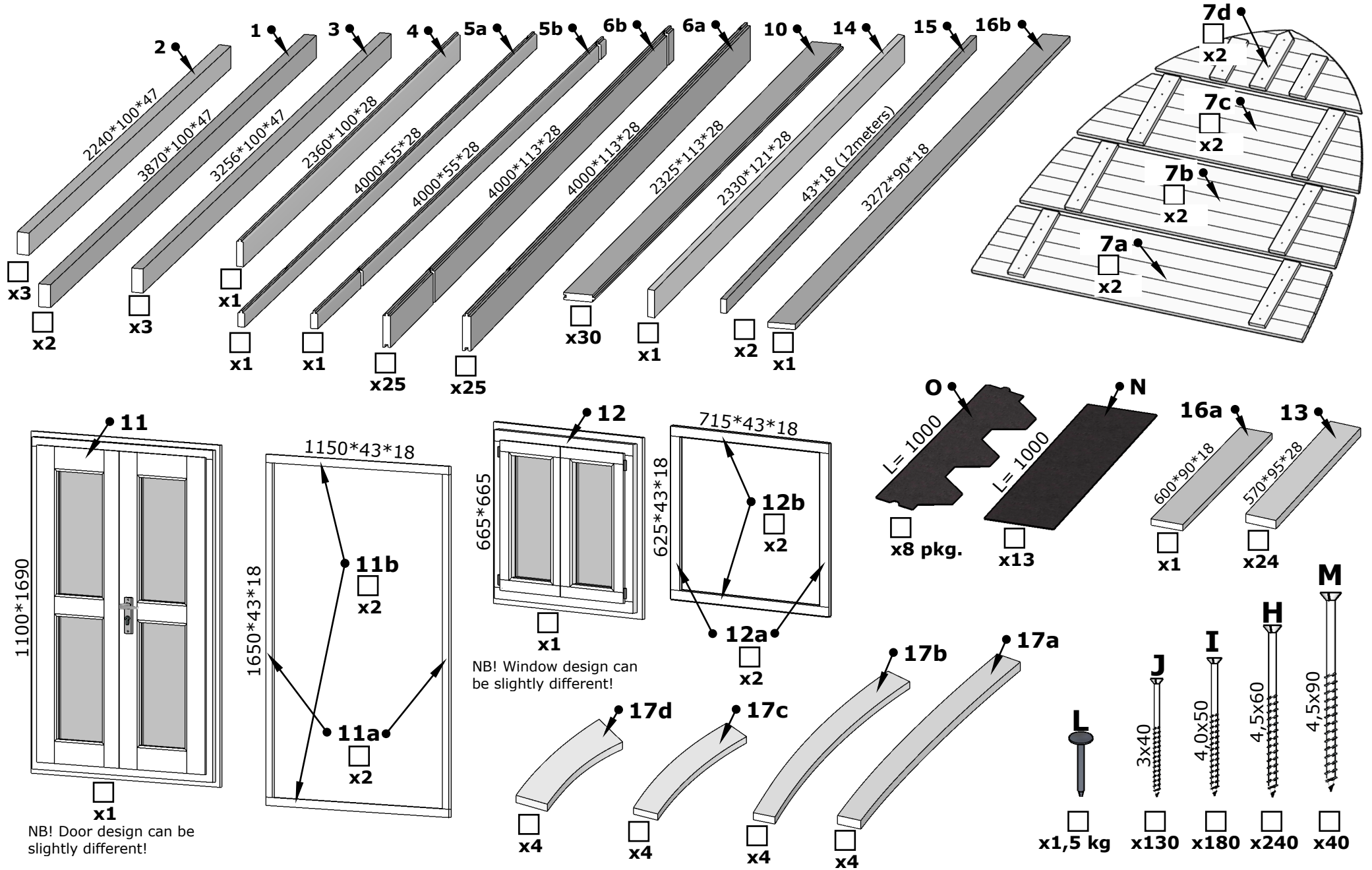
NB! Please read whole installation manual before start.

All given measurements are in millimeters.

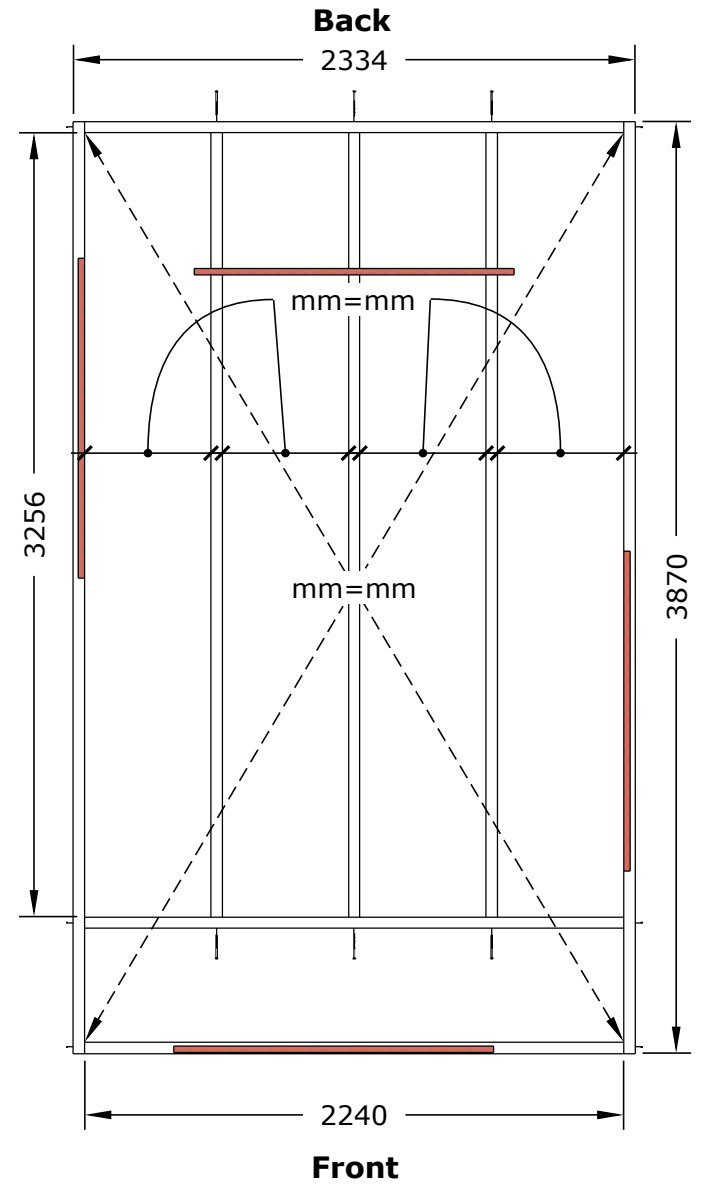
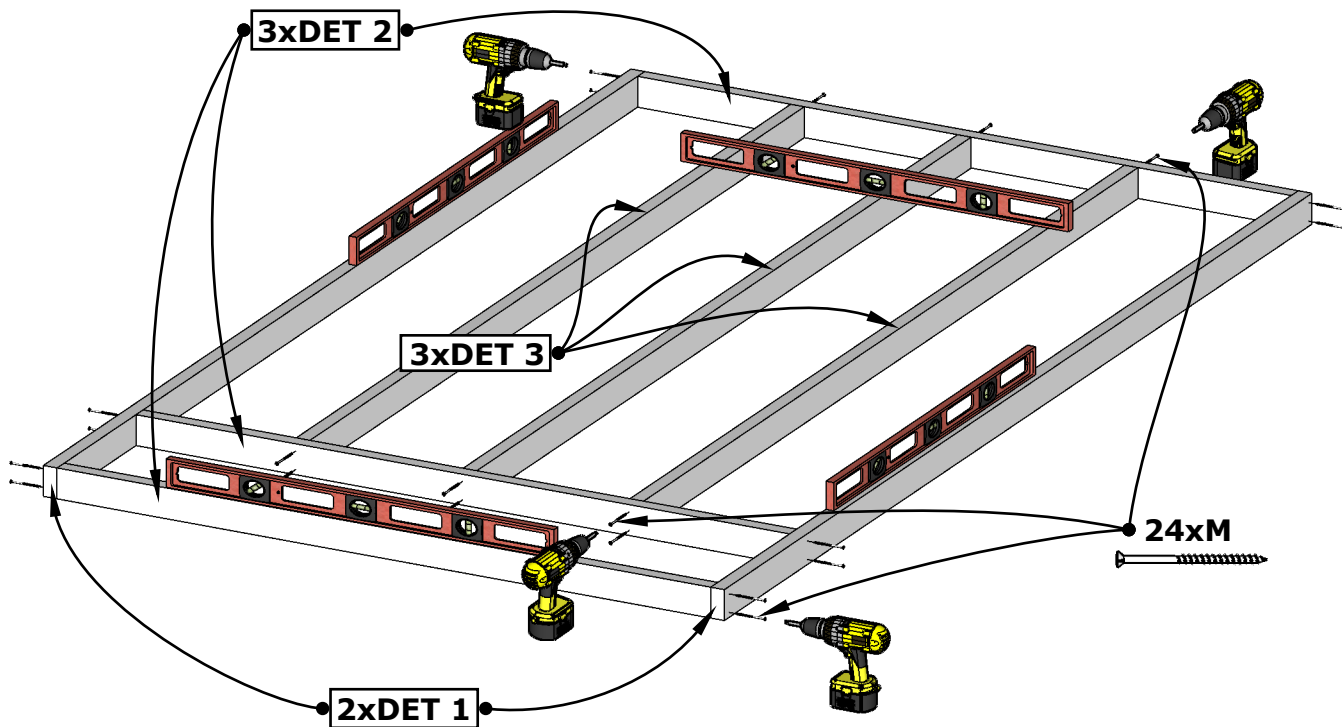


POD Camping 400

Details list.



POD 400



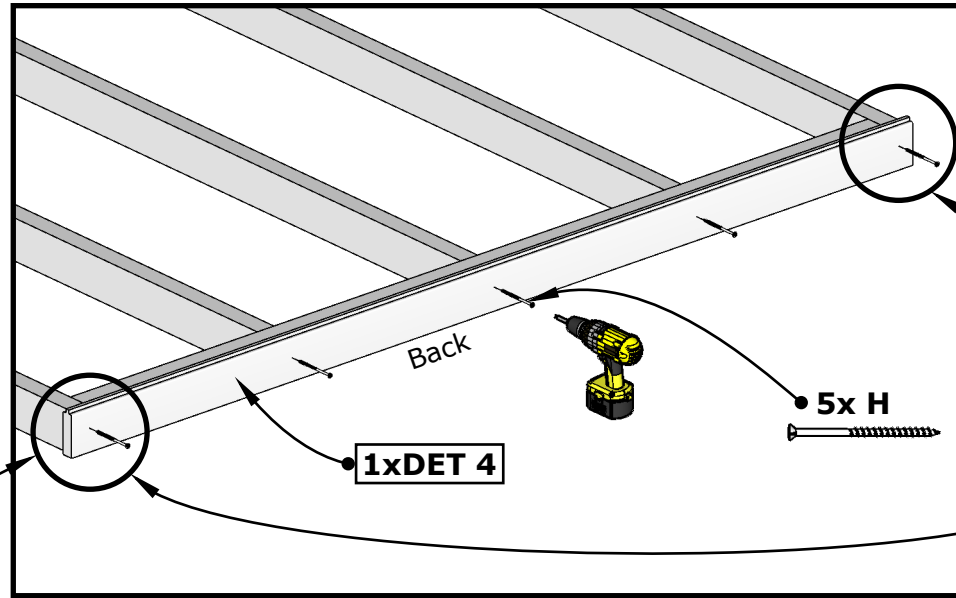
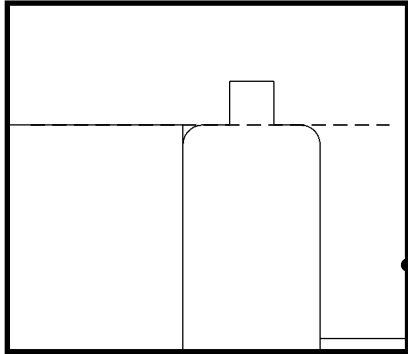
1. I

(POD-001)

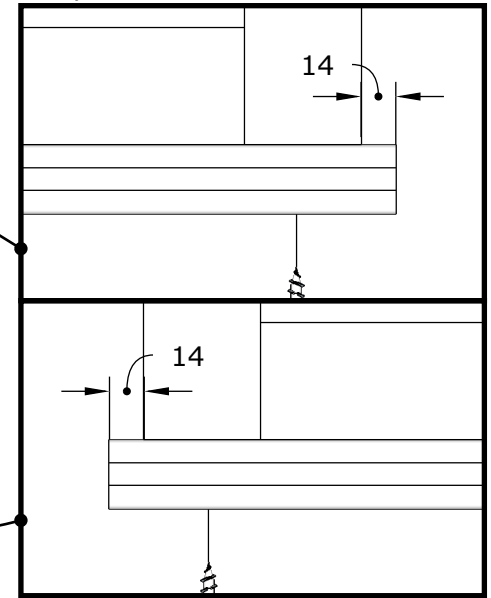
POD 400



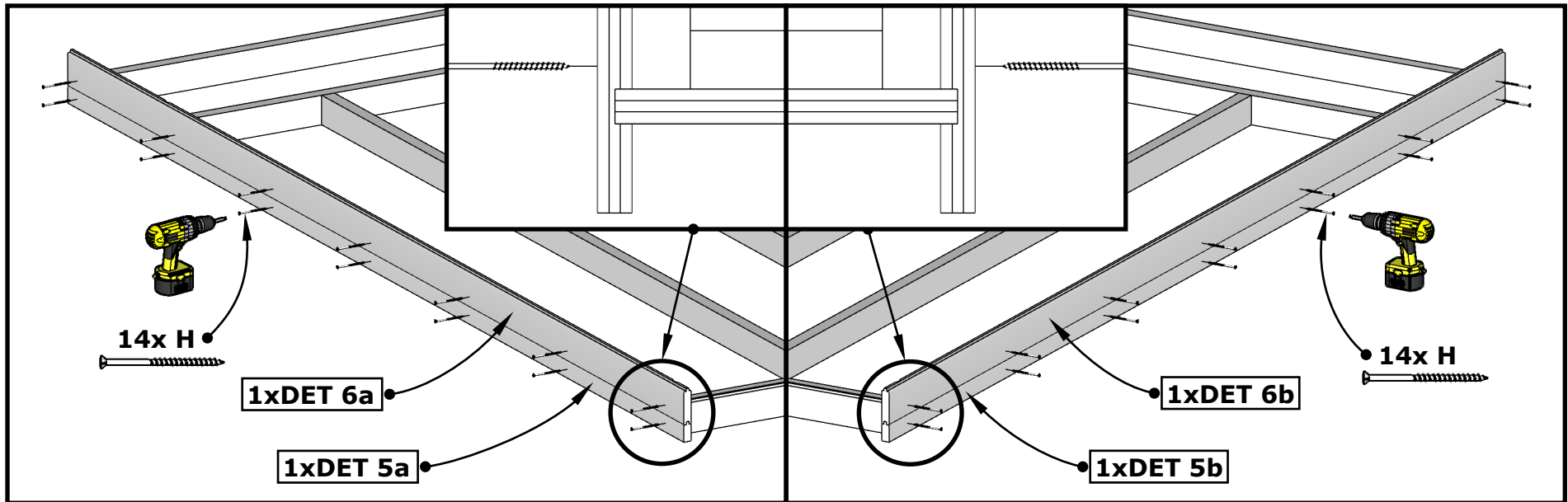
Side view



Top view



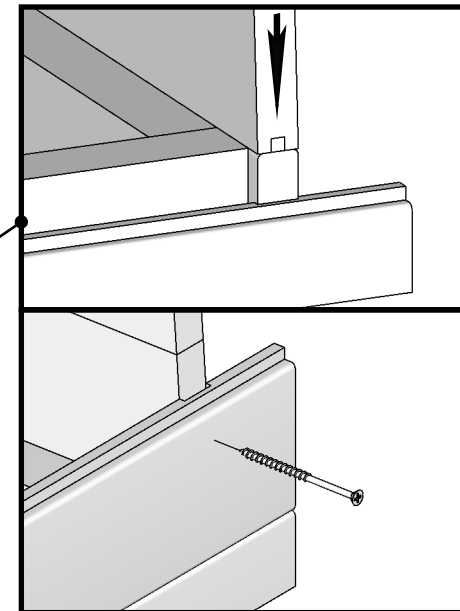
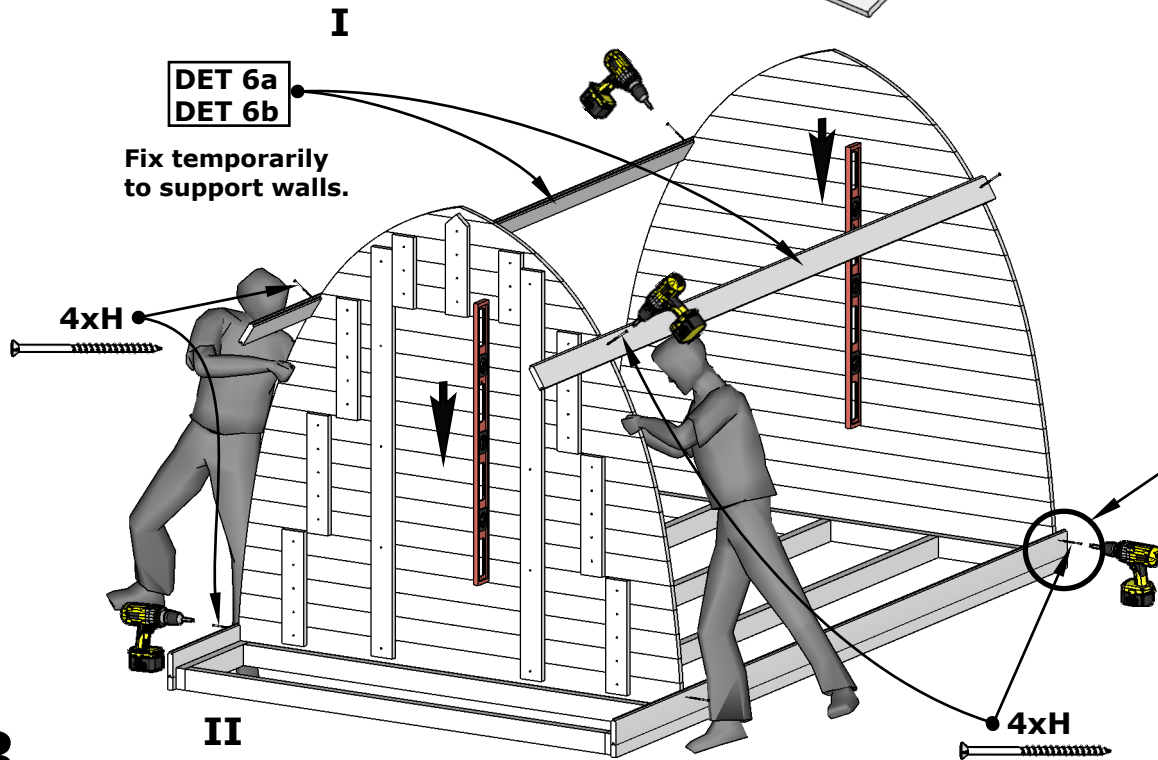
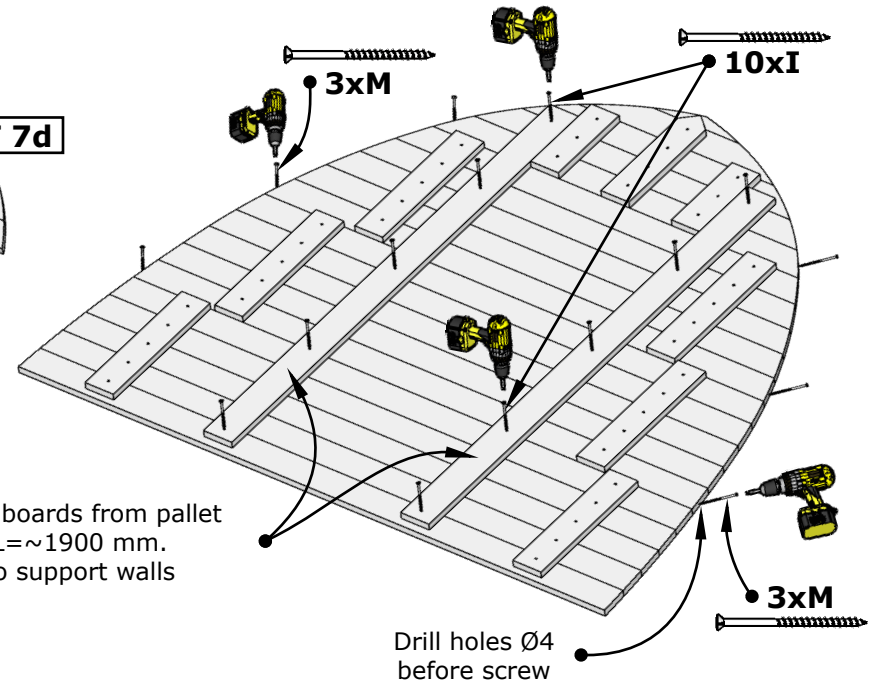
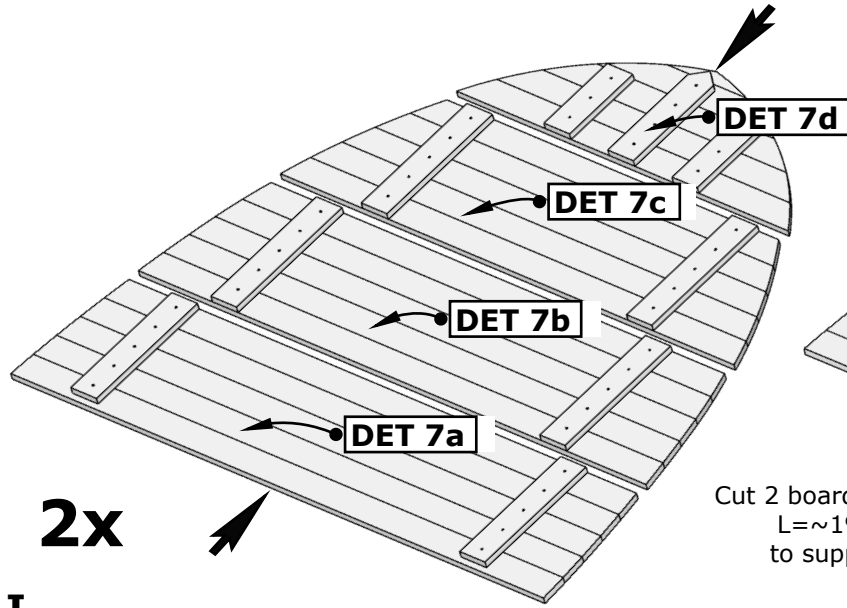
I



II

2.

POD 400

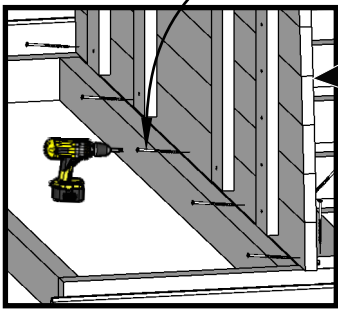


3.

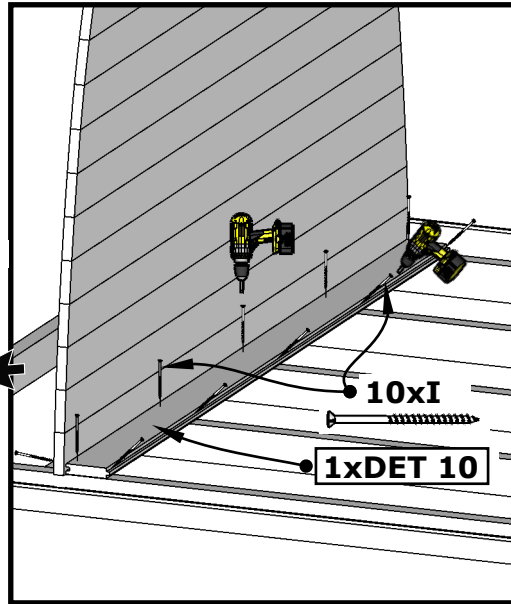
POD 400



Drill holes Ø4 before screw



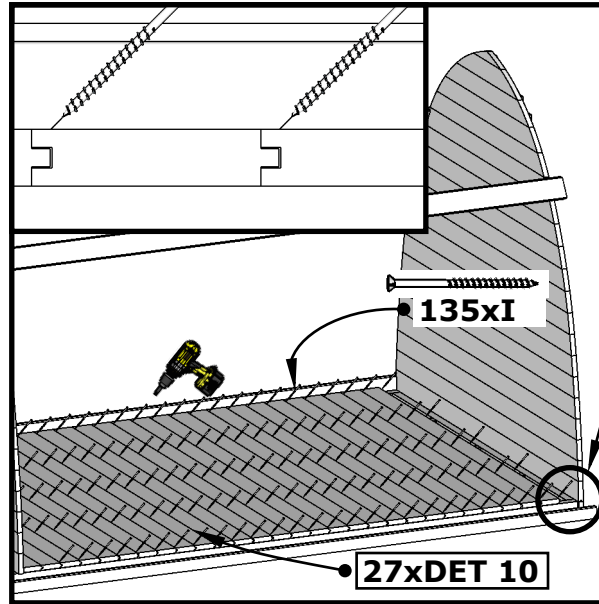
• 5xI



• 10xI

• 1xDET 10

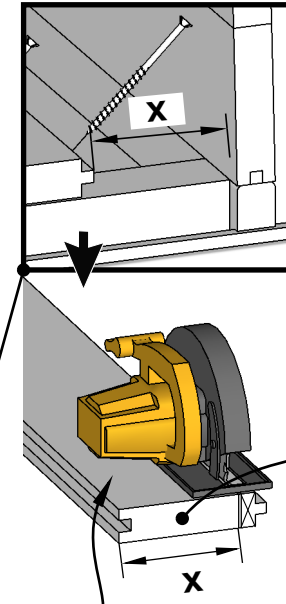
I



• 135xI

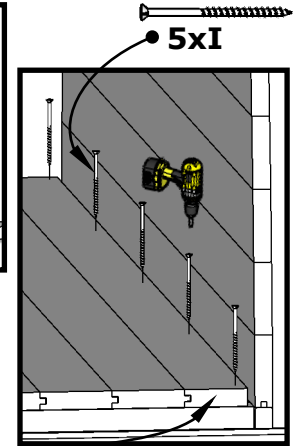
• 27xDET 10

II

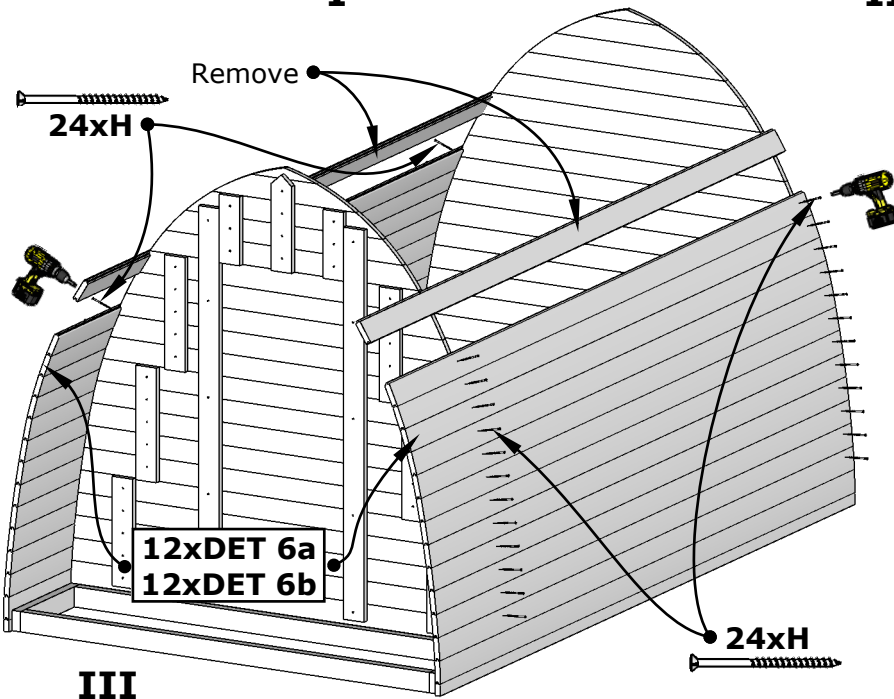


X

DET 10



• 5xI



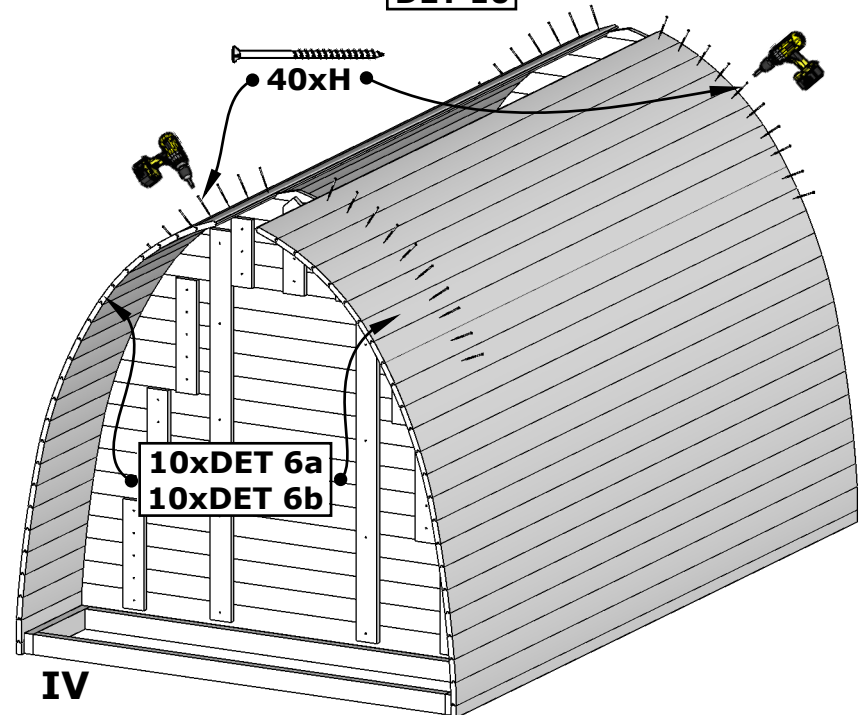
Remove

• 24xH

• 12xDET 6a
• 12xDET 6b

• 24xH

4. III

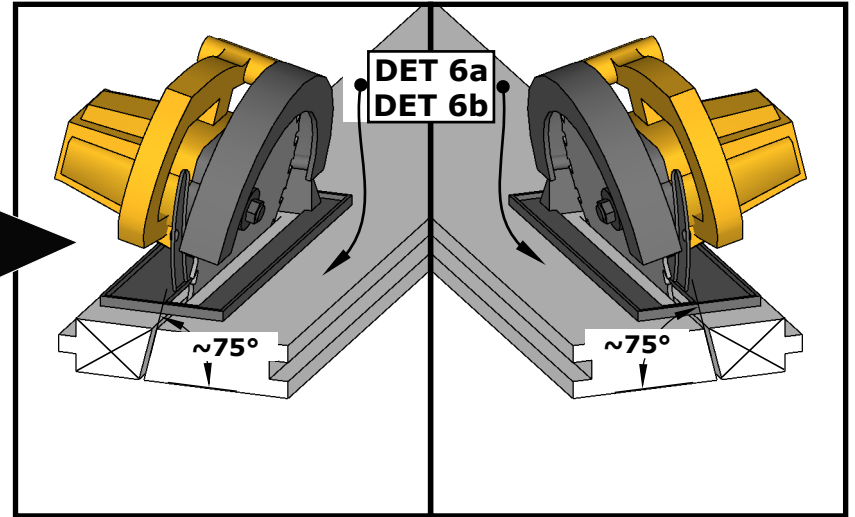
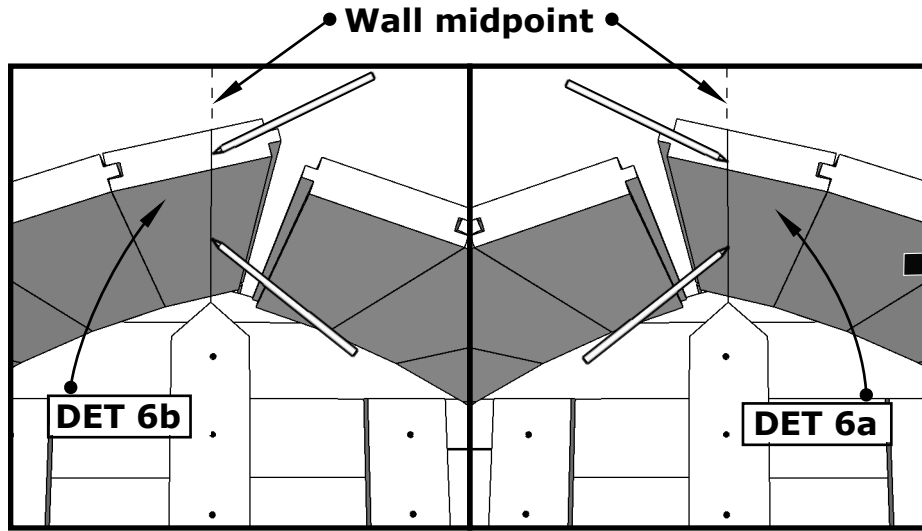


• 40xH

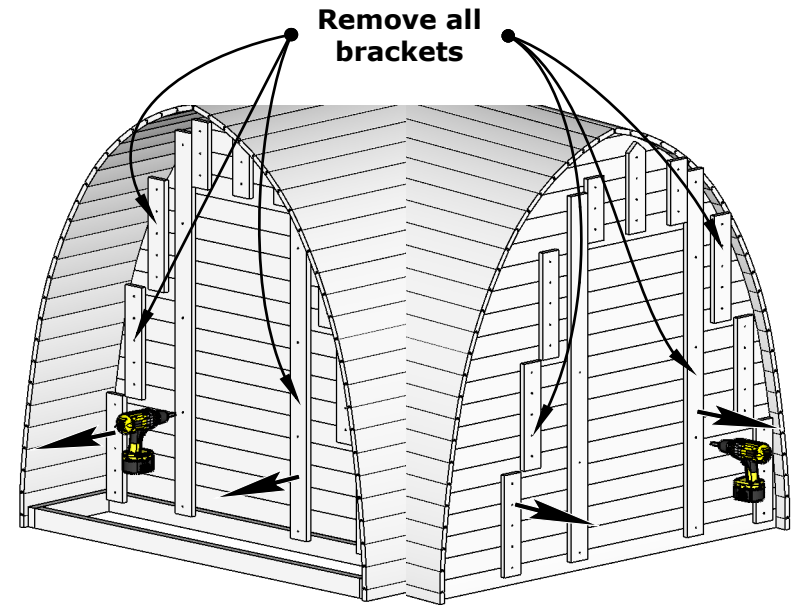
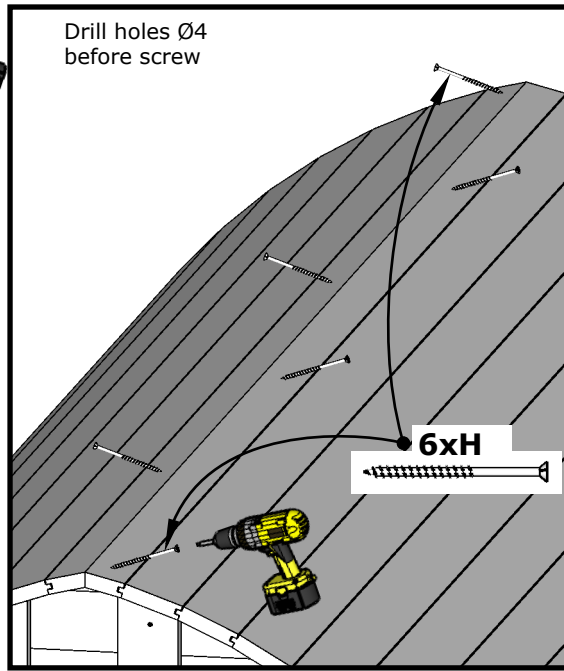
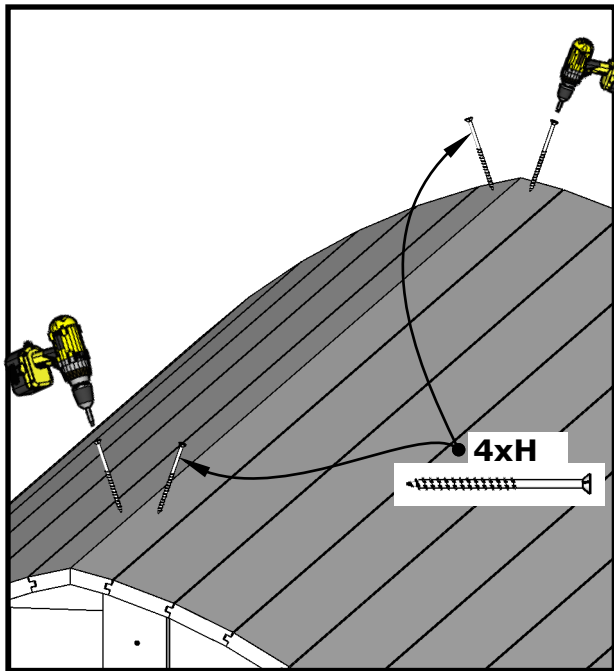
• 10xDET 6a
• 10xDET 6b

IV

POD 400



I

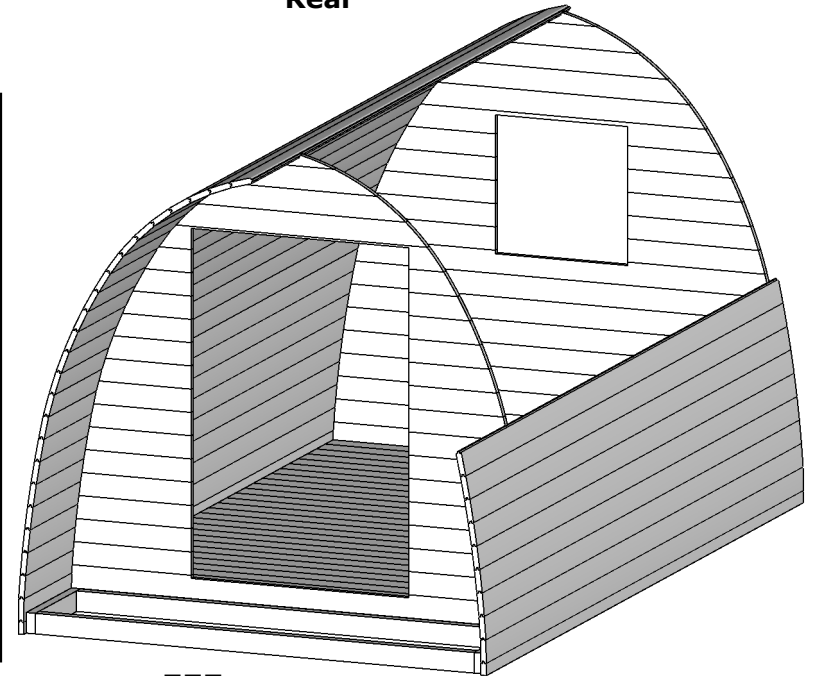
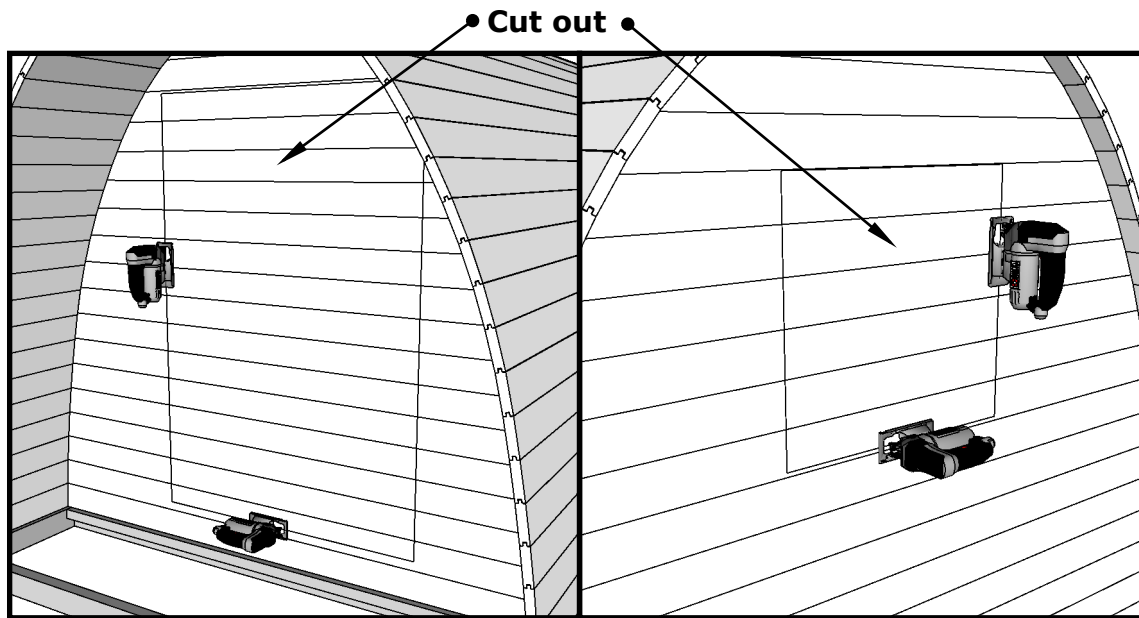
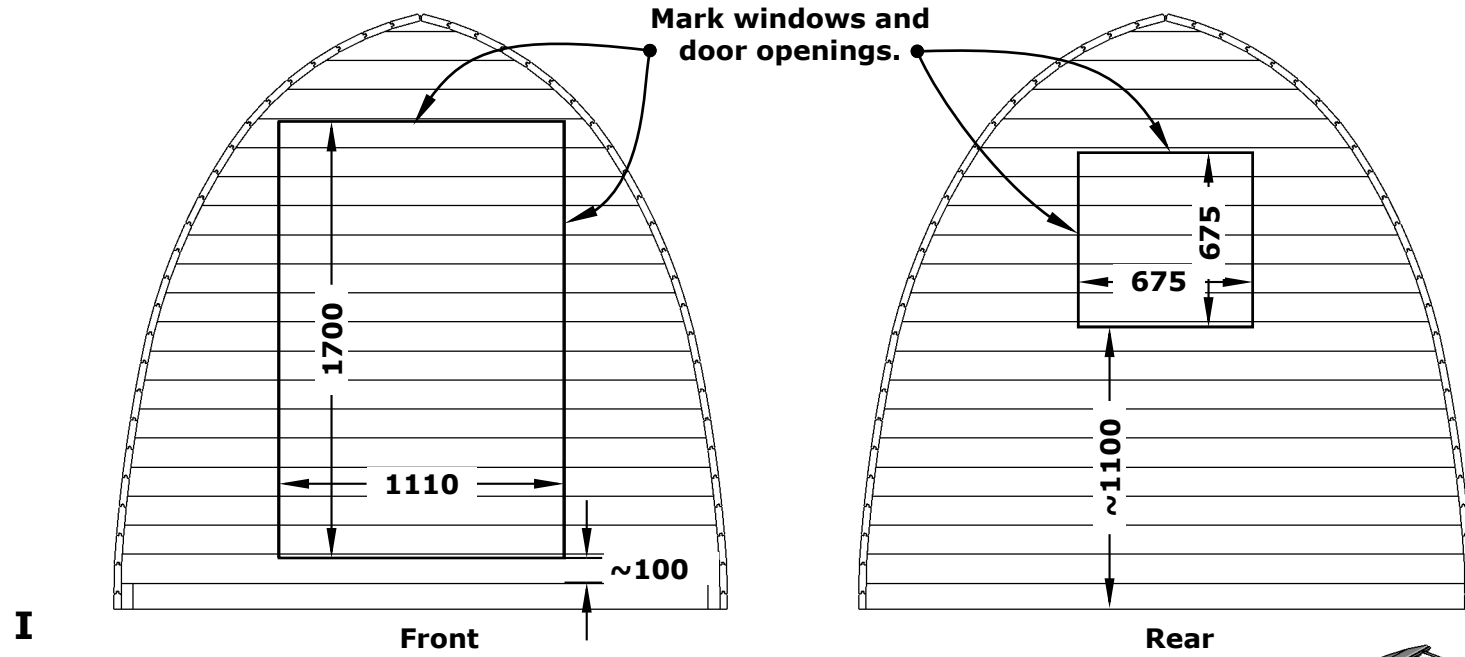


IV

5. II

III

POD 400



6.

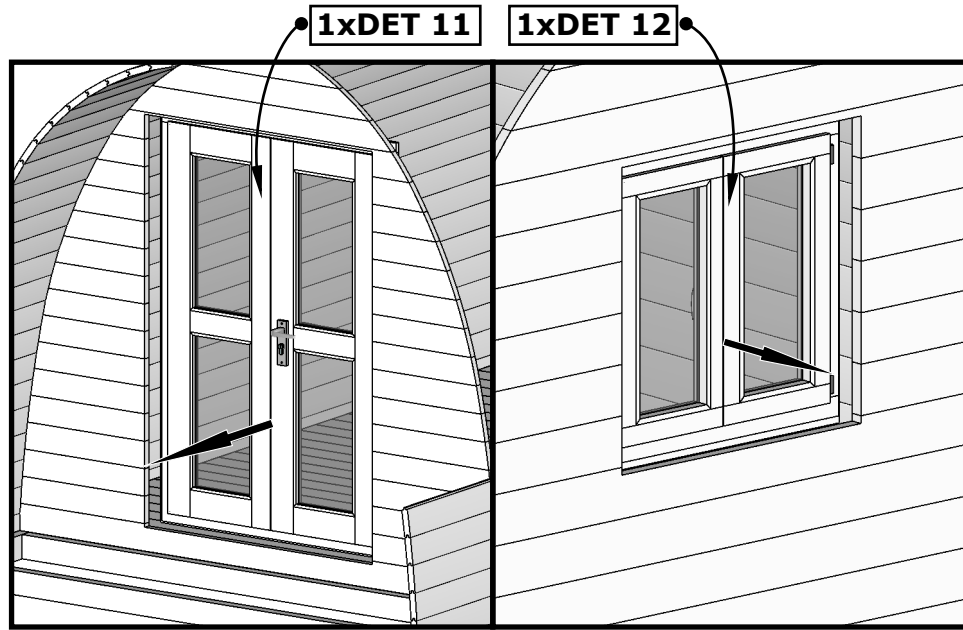
(POD-001)

POD 400

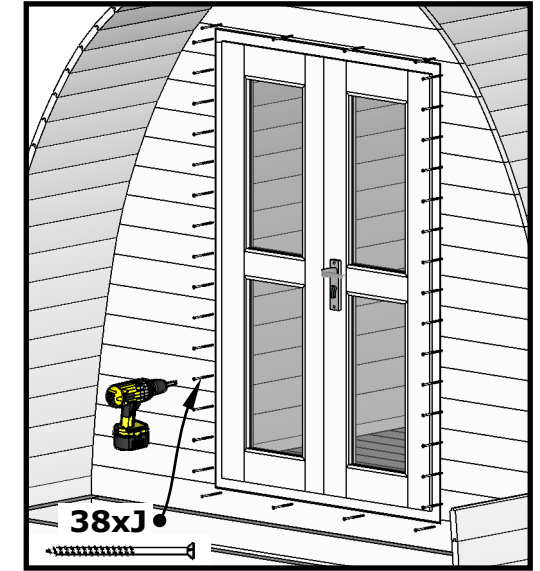


Use waterlevel for door and windows installation.

NB! Install door and windows from inside.



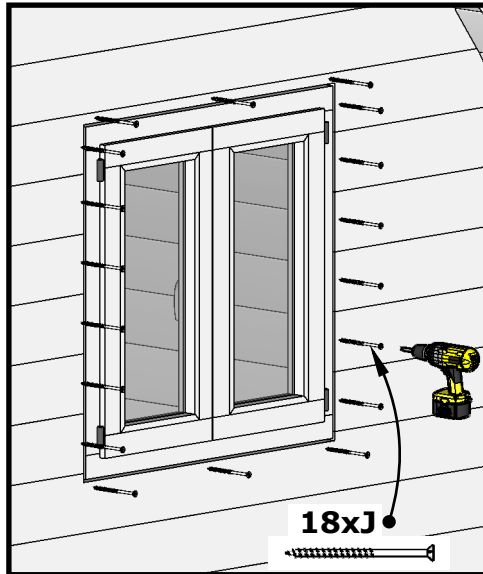
I



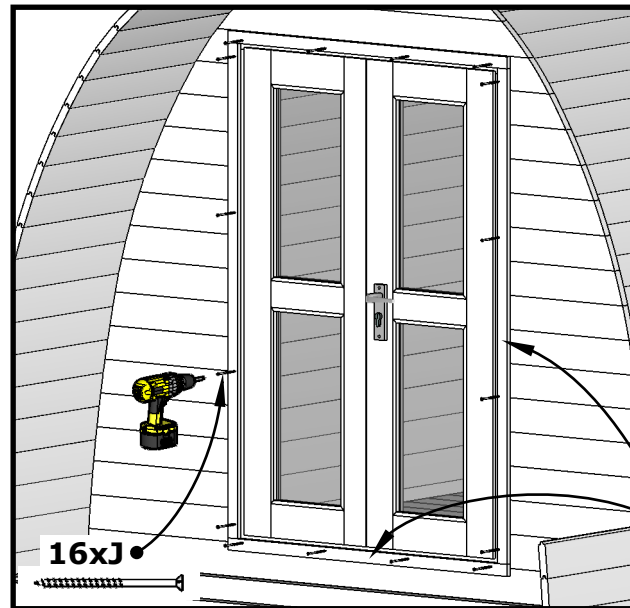
II

Vertically fix screw in every board.

Vertically fix screw in every board.



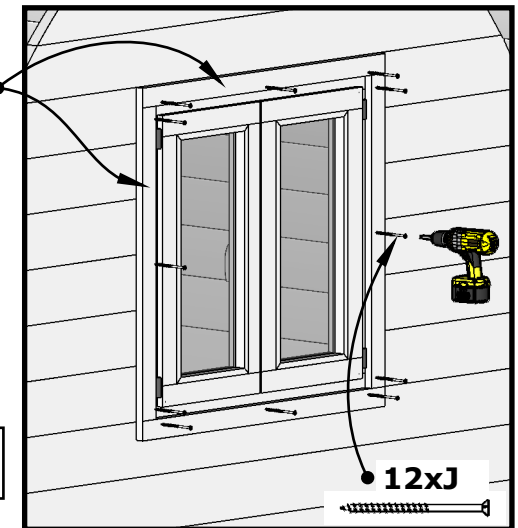
7. III



IV

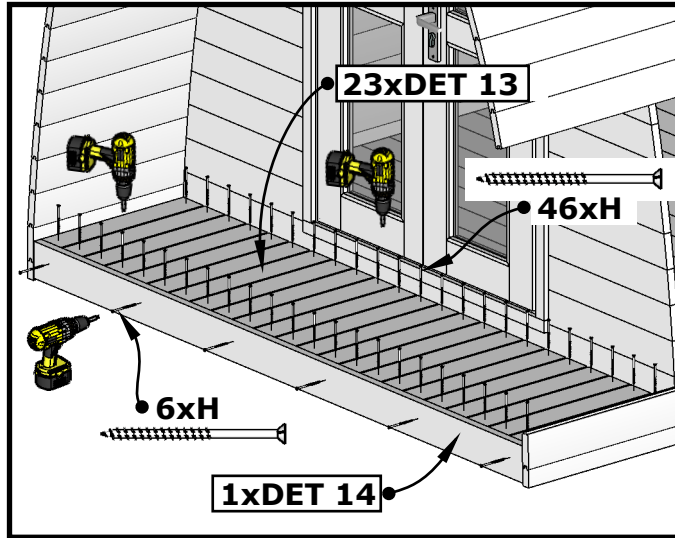
2xDET 12a
2xDET 12b

2xDET 11a
2xDET 11b

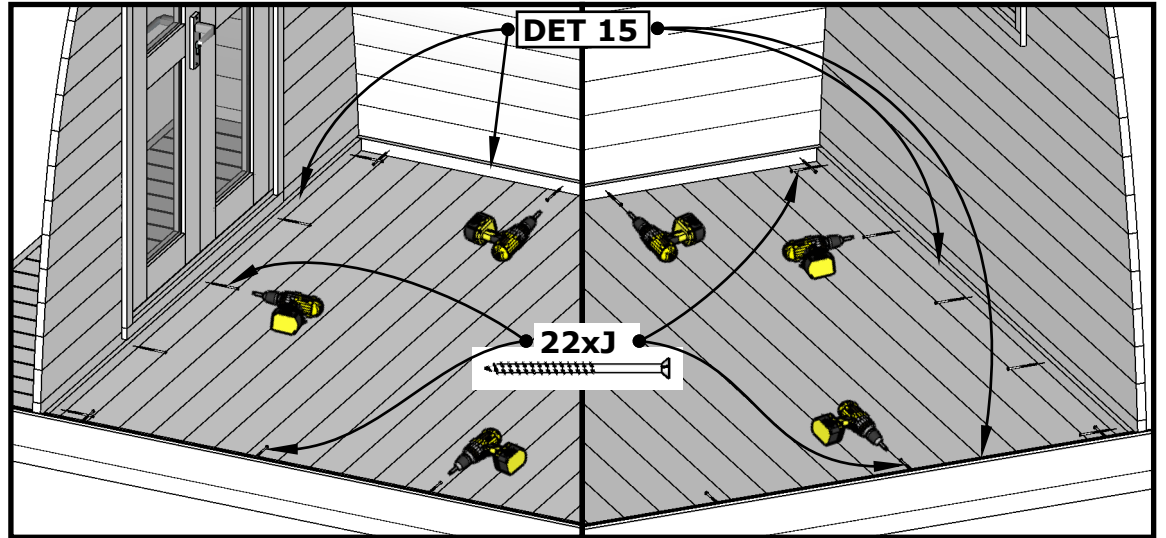


V

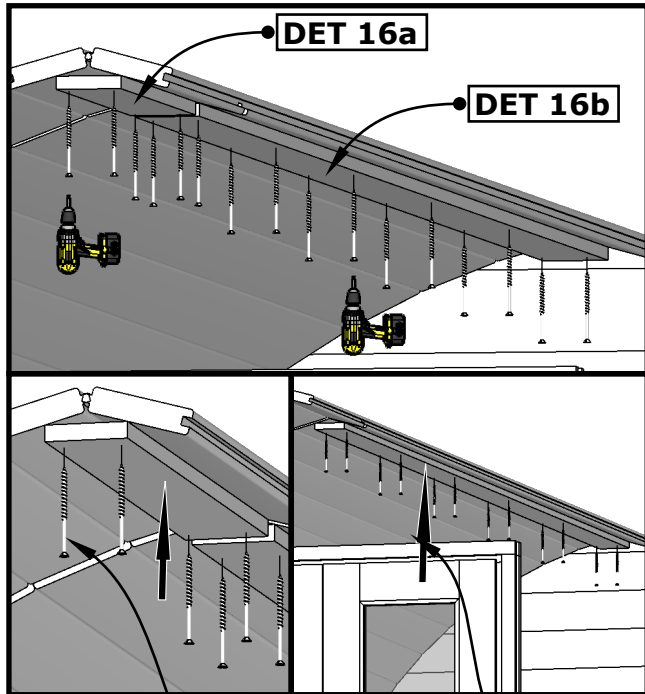
POD 400



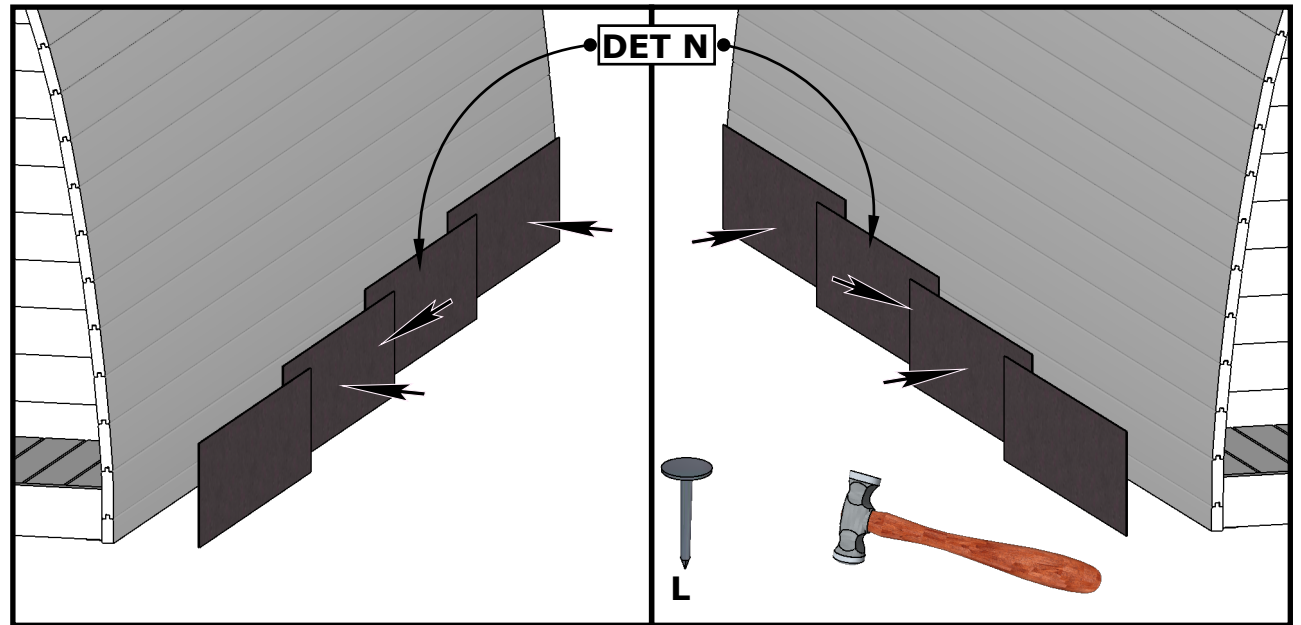
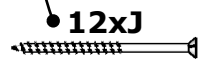
I



II



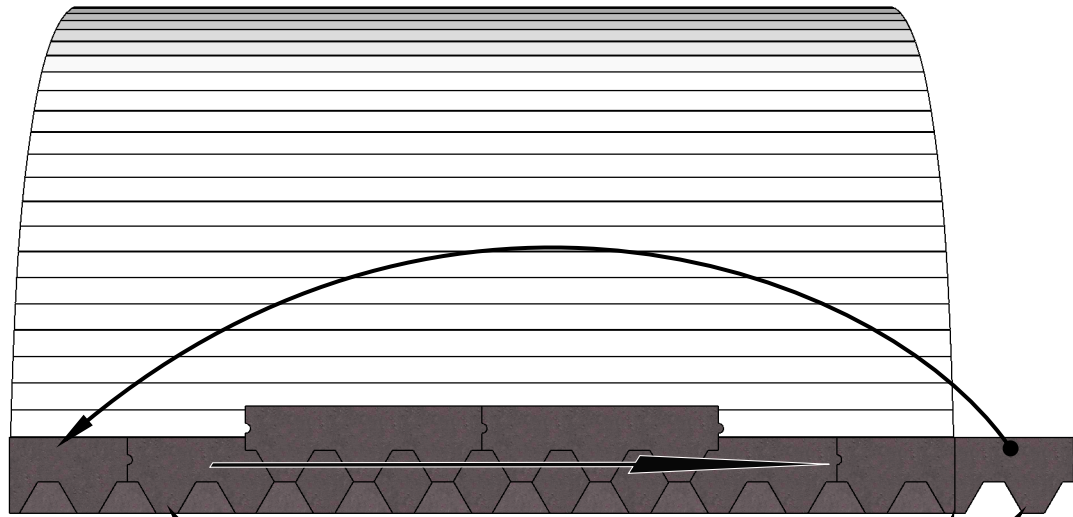
8. III



IV

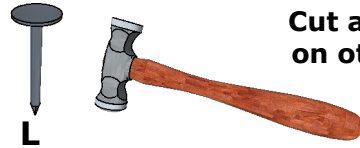
Check also roof shingles installation manual inside package.

POD 400

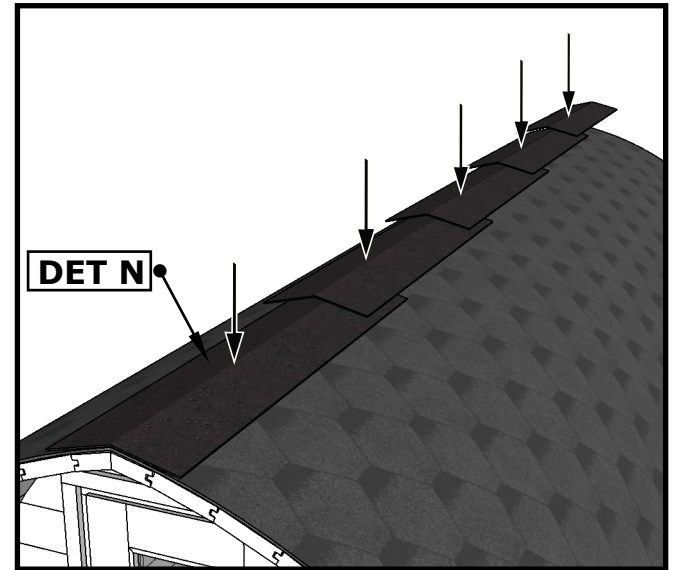


I

DET O

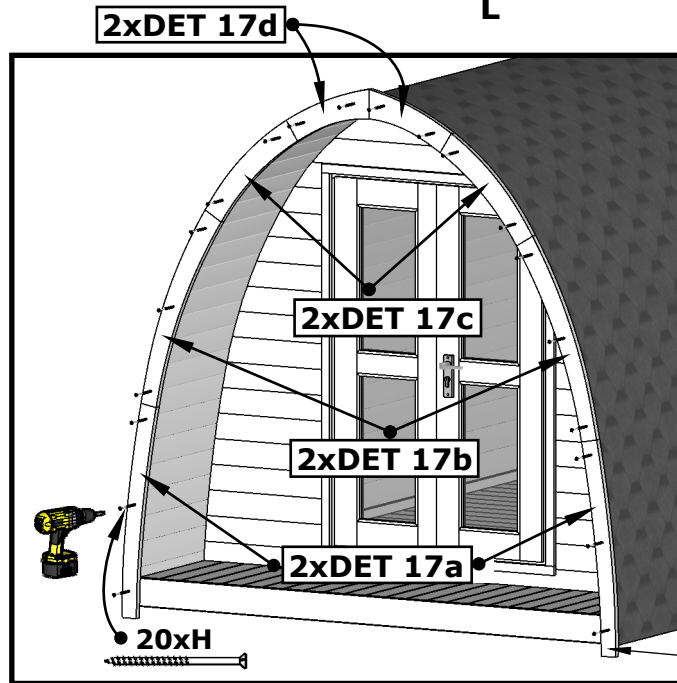


Cut and use it on other end.

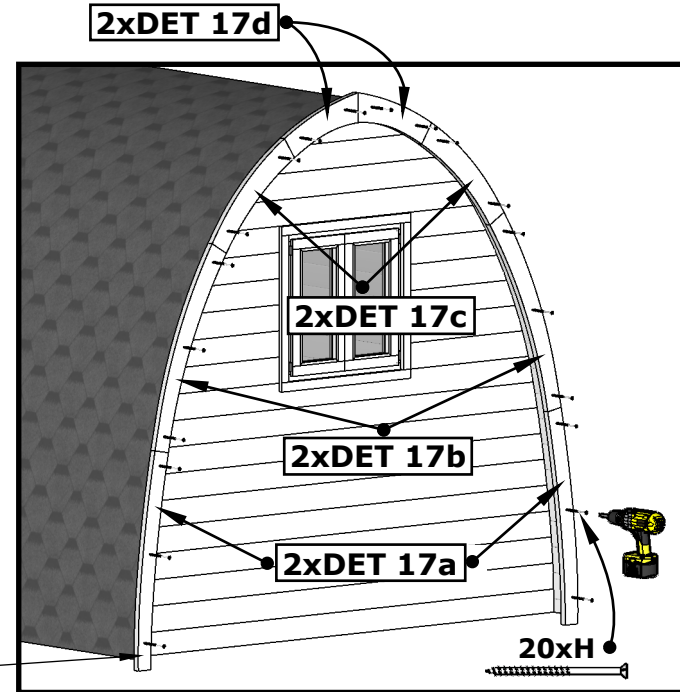


II

DET N



III



IV

Cut the ends, if needed.

9.