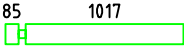
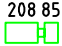
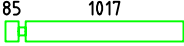
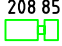
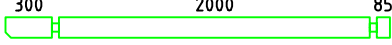
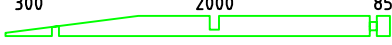
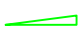


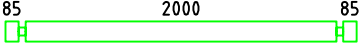

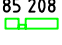
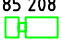
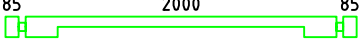
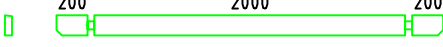
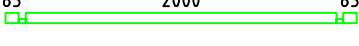
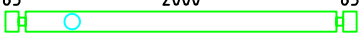





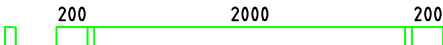




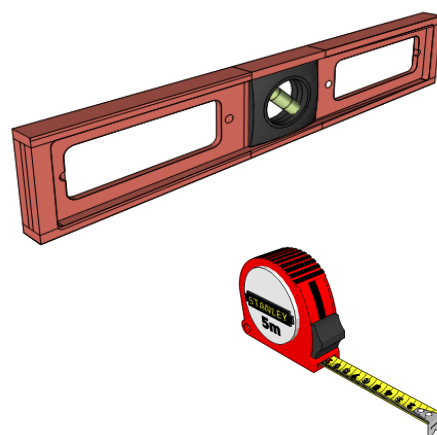
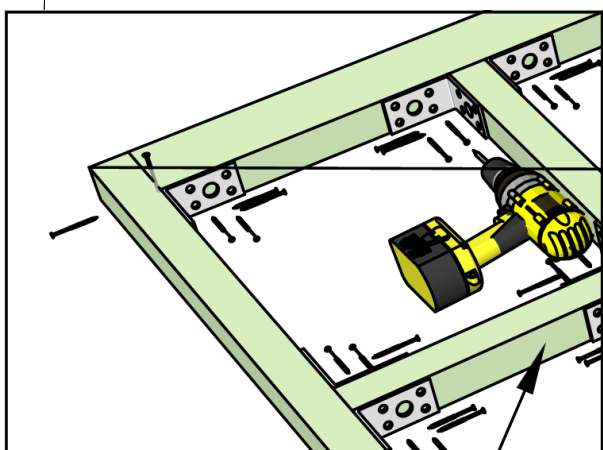
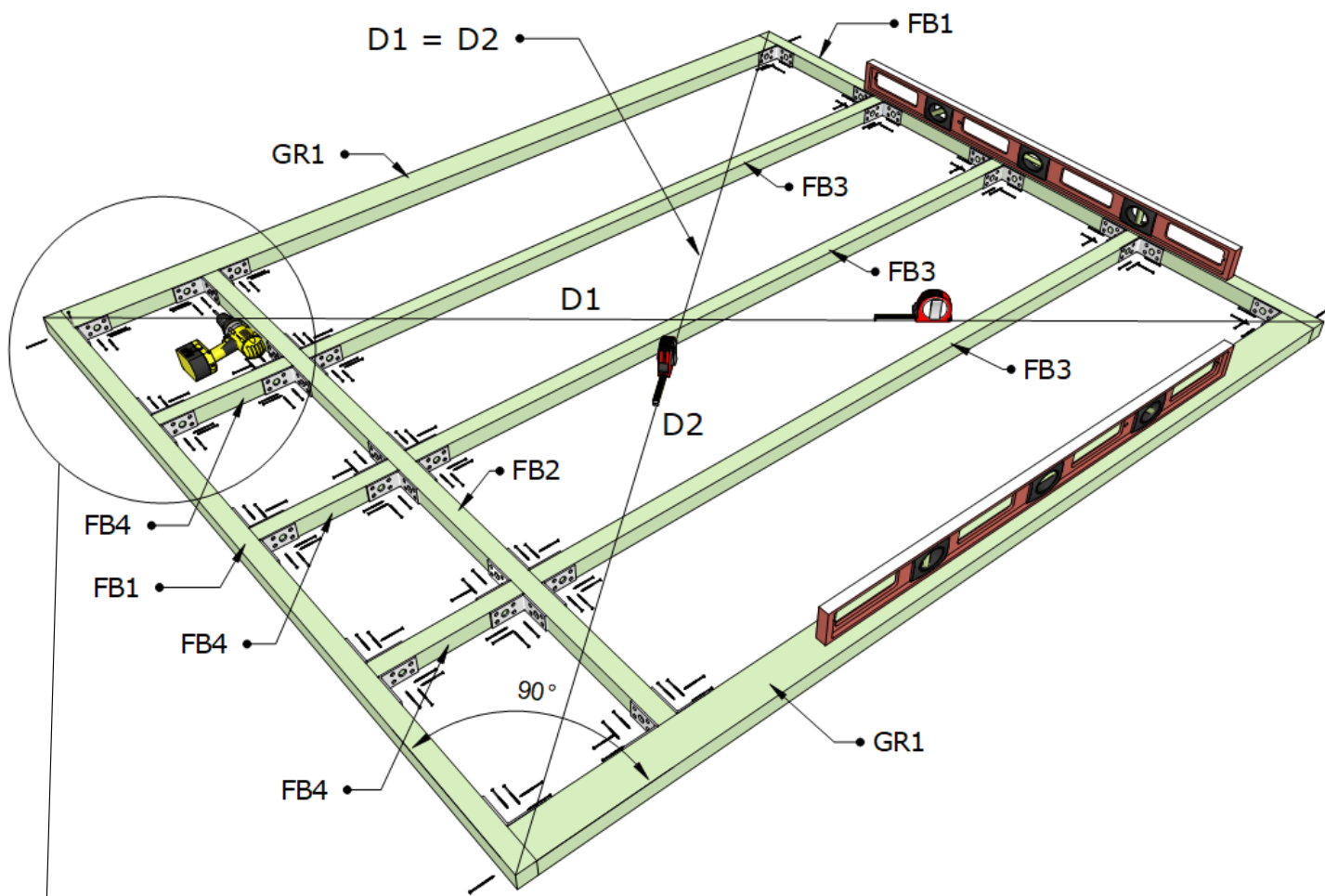
- Read the entire manual before assembly.
- Get the tools you need.

## **Sauna Cube Panorama 45**

Pos	Drawing Sauna Cube Panorama	Quantity	Profil (mm)	Lenght (mm)
001		1	45x130	1147
002		1	45x130	338
003		14	45x130	1147
004		14	45x130	338
005		2	45x130	2475
006		2	45x130	2475
007		2	45x58	459
008		2	45x130	1545
009		2	45x129	1011
010		1	45x130	2260
011		30	45x130	2260
012		2	45x65	338
013		28	45x130	338
014		1	45x130	2260
015		2	45x130	2490
016		1	45x65	2260
017		1	45x130	2260
GR1	 GROUNDFRAME	2	90x45	2380
FB1	 FLOORBEAMS	2	45x45	2070
FB3	 FLOORBEAMS	3	45x45	1990
FB2	 FLOORBEAMS	1	45x45	1890
FB4	 FLOORBEAMS	3	45x45	345
PR1	 Purtils	1	70x170	2490
	WINDOW 765x1900	2		
	DOOR 800x1900	1		
Kood	Sauna Cube Panorama	Materjal	File Sauna Cube Panorama 45.dwg	Lenght 1/1



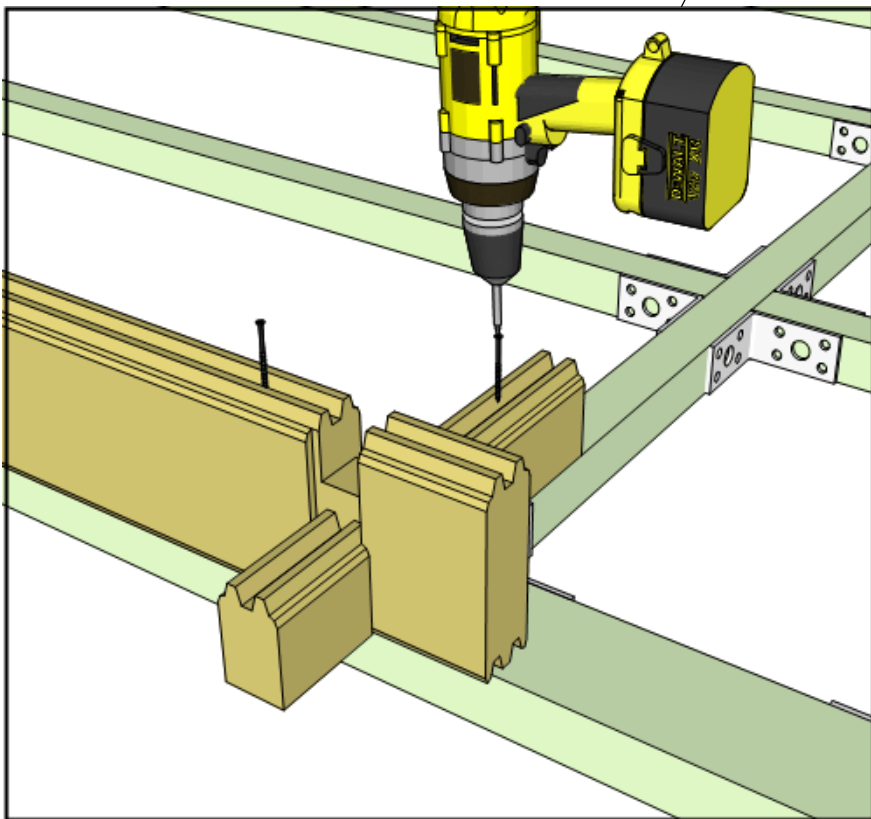
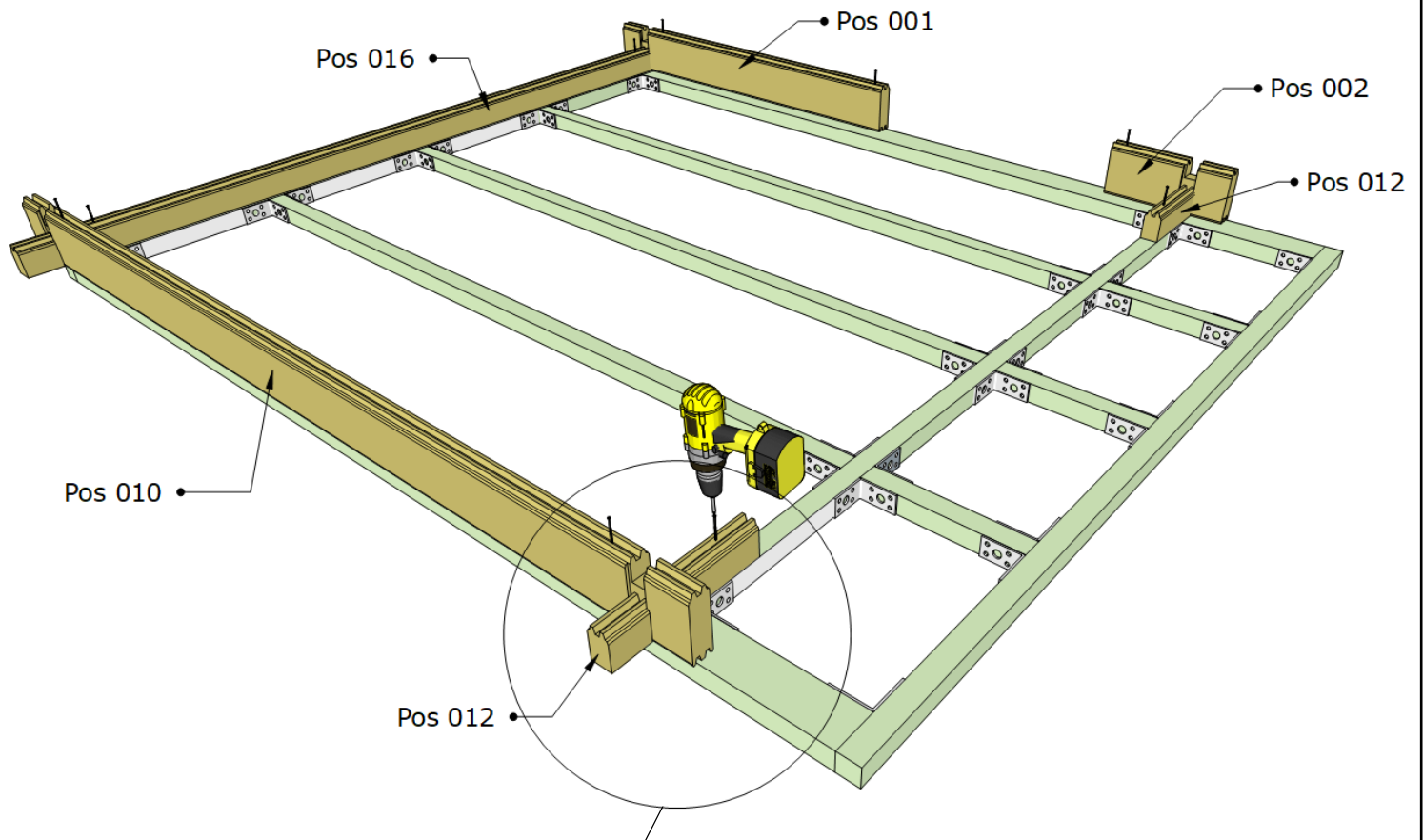
- Fasten the base frame with screws. If possible, fasten the base frame to the Foundation
- Diagonals must be of the same lengths.
- Drill holes before screws.



Use waterlevel and measuring tape

# 1 Groundframe

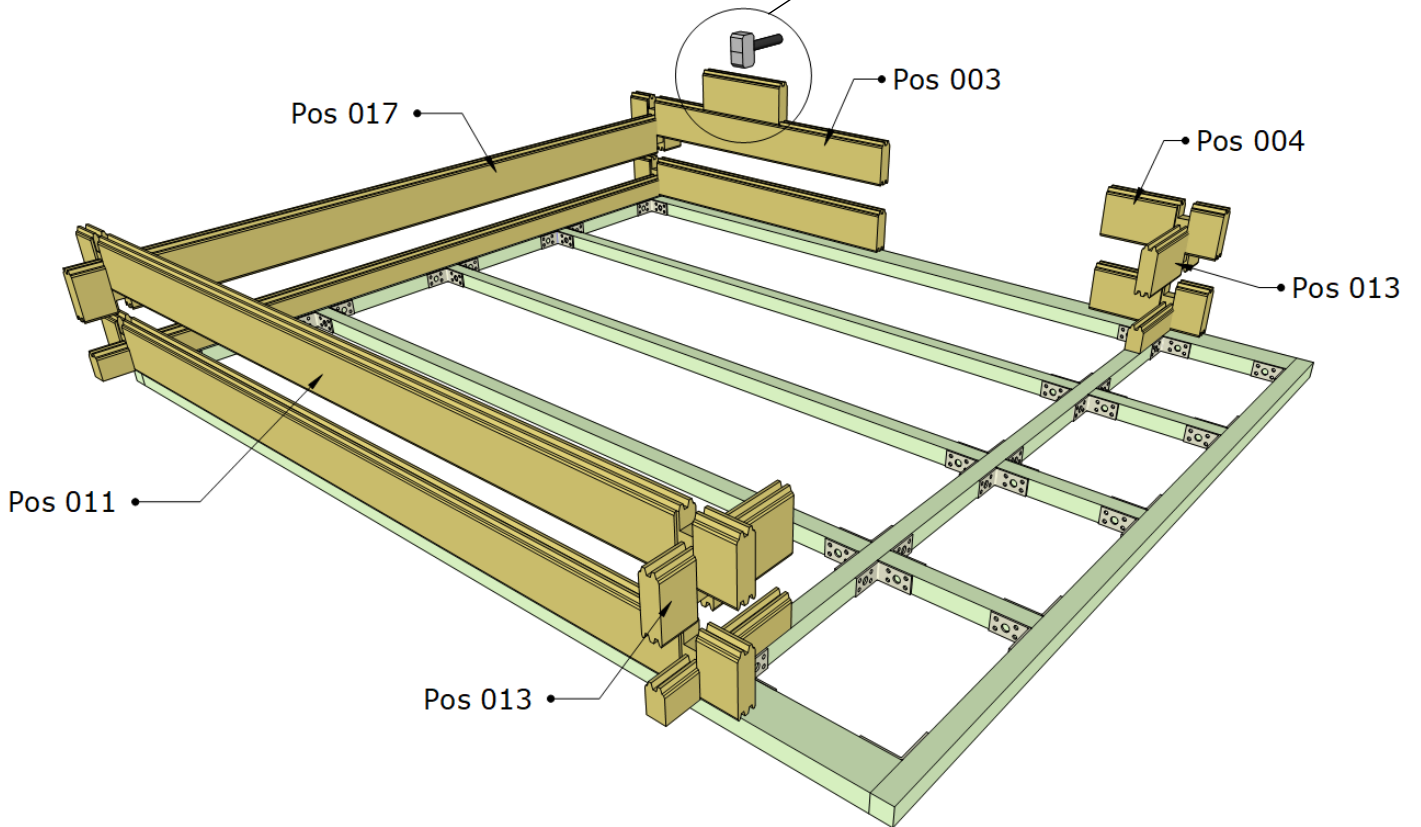
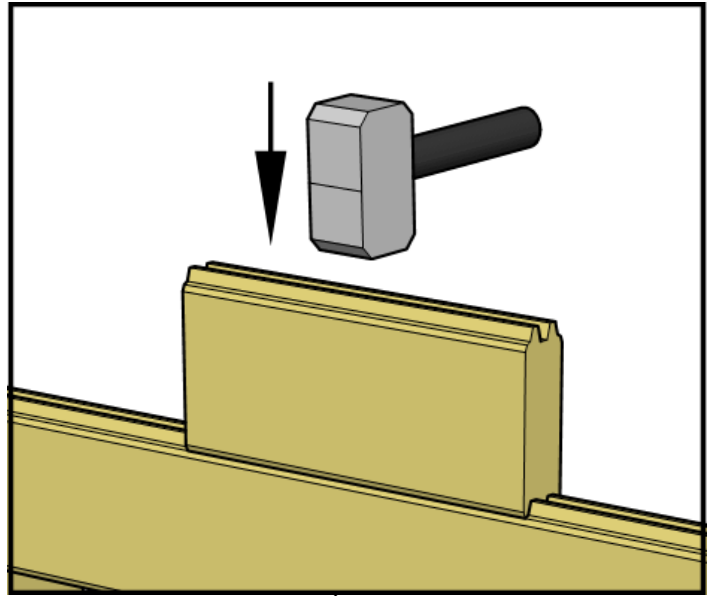
- The wall plank must be 10 mm above the edge of the base frame.
- The first wall plank row must be fixed with screws to the base frame.



**2**

**First wall row**

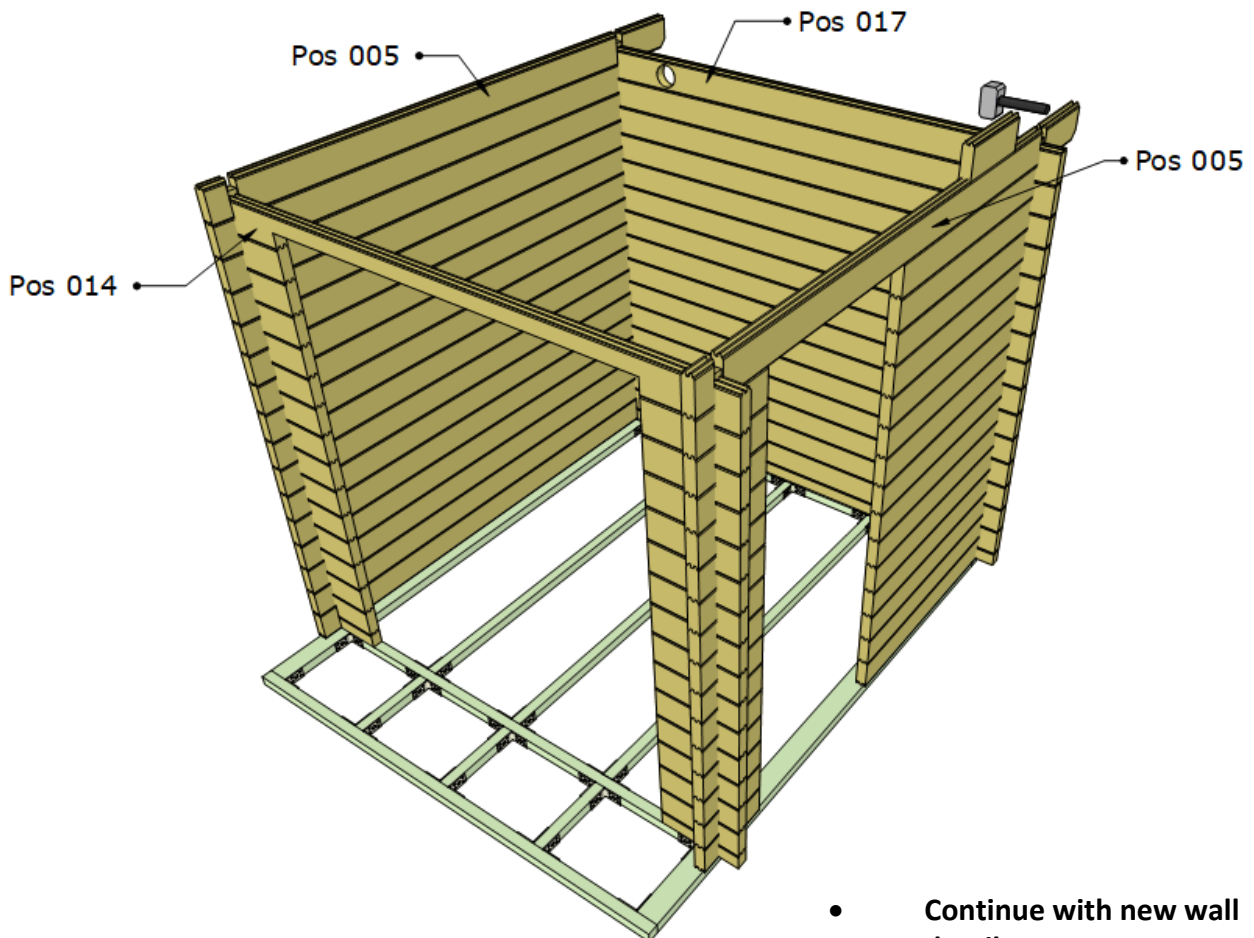
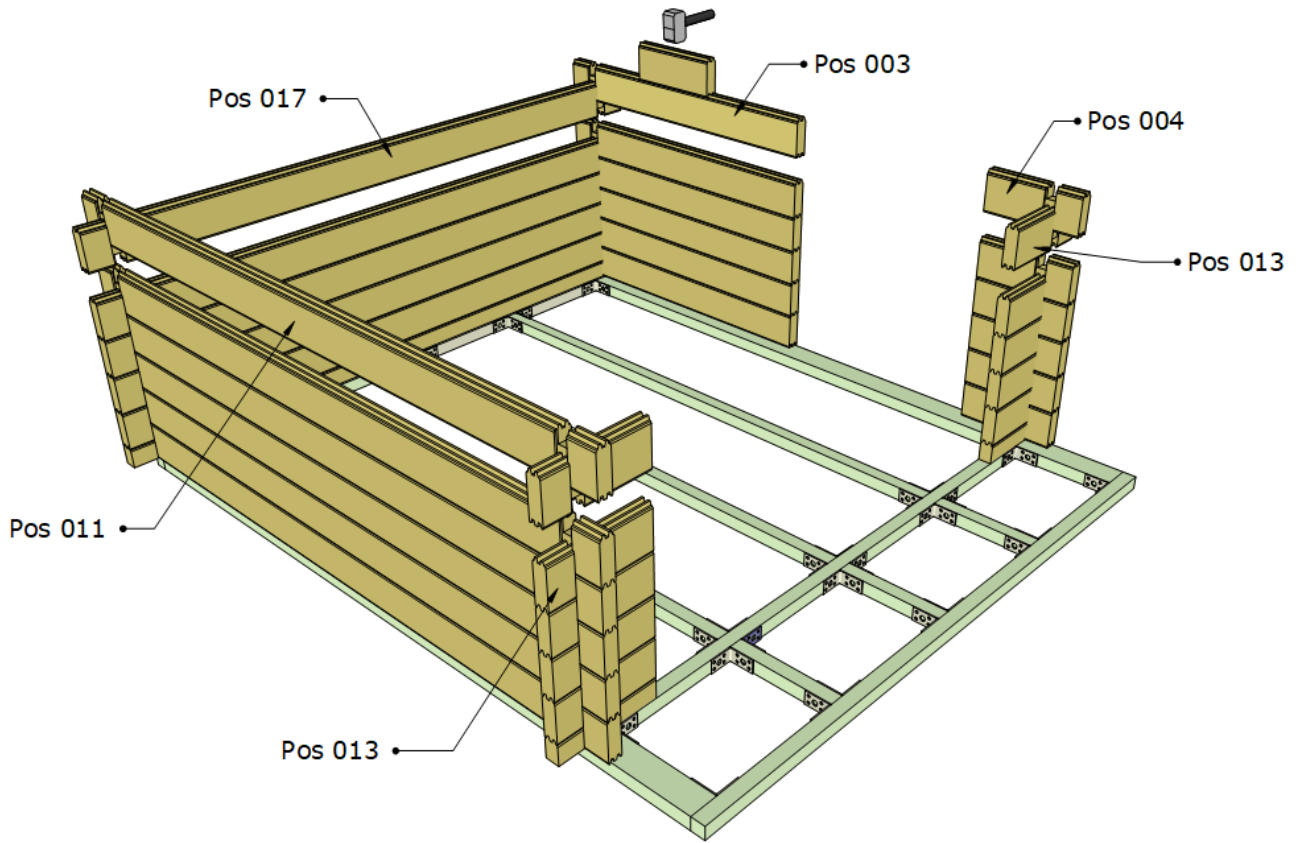
- Use hammer and hammer block.



### **3** Installing walls



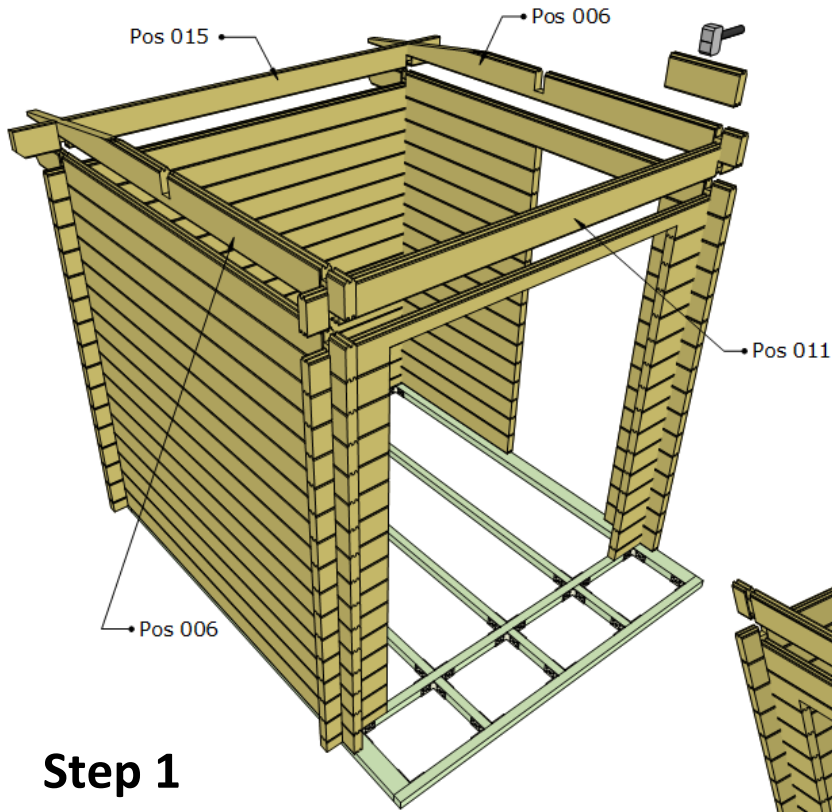
- Use hammer and hammer block.
- Install the positions below completely.



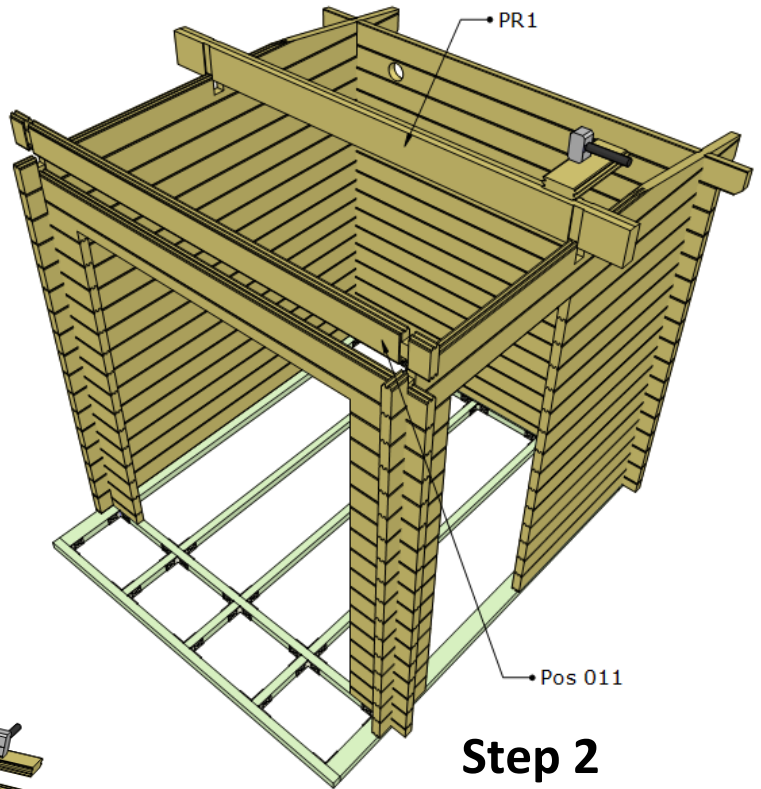
- Continue with new wall details.

## 4 Installing walls

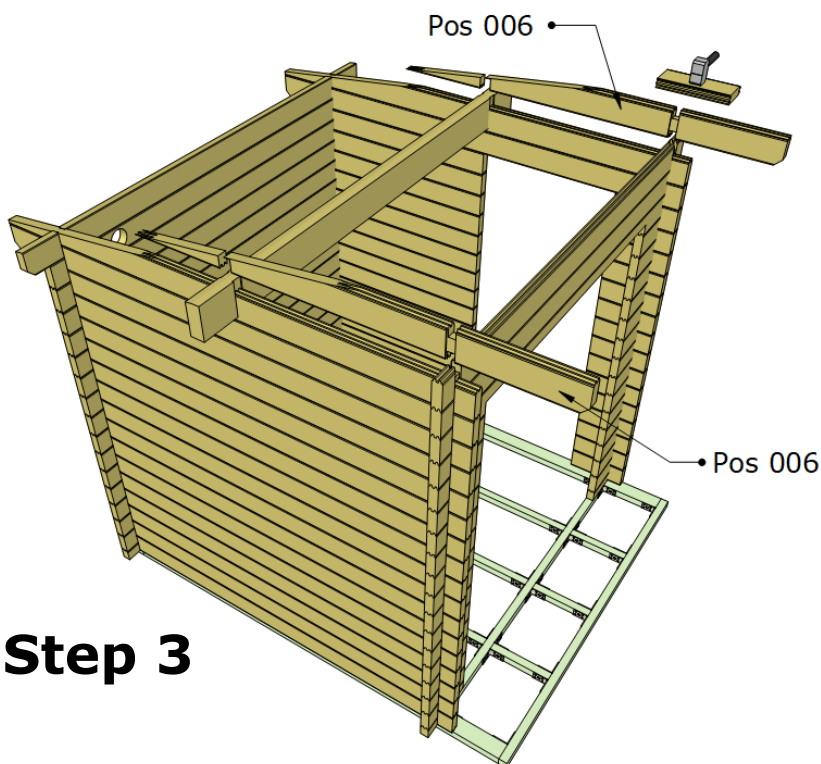
- Use hammer and hammer block.



**Step 1**



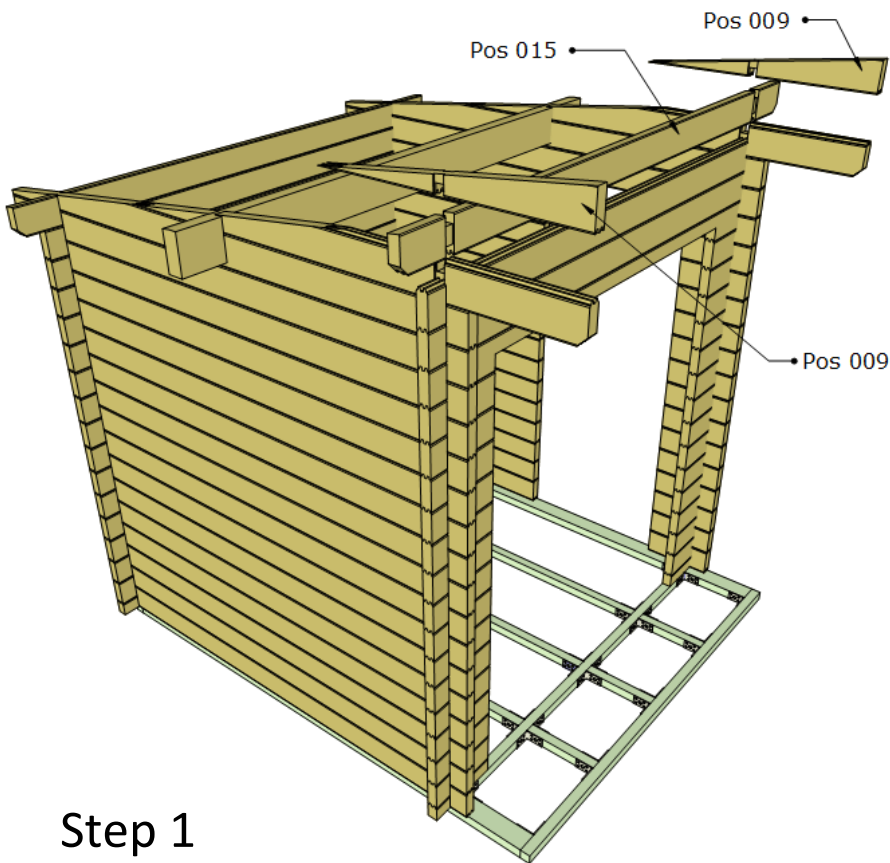
**Step 2**



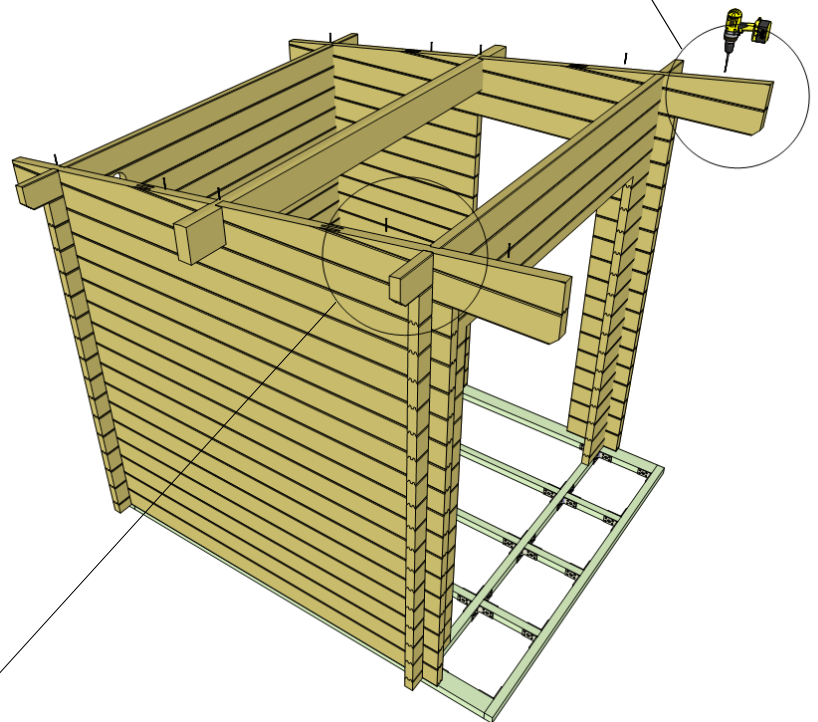
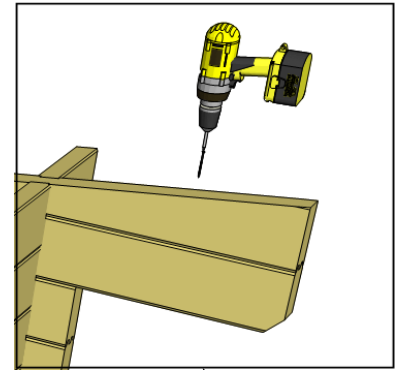
**Step 3**



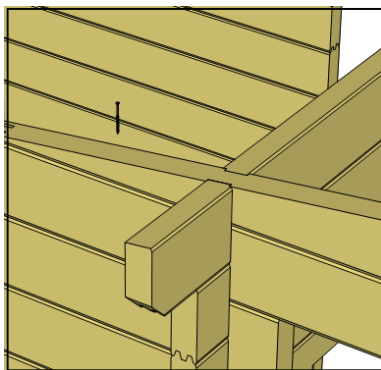
- Use hammer and hammer block.



Step 1



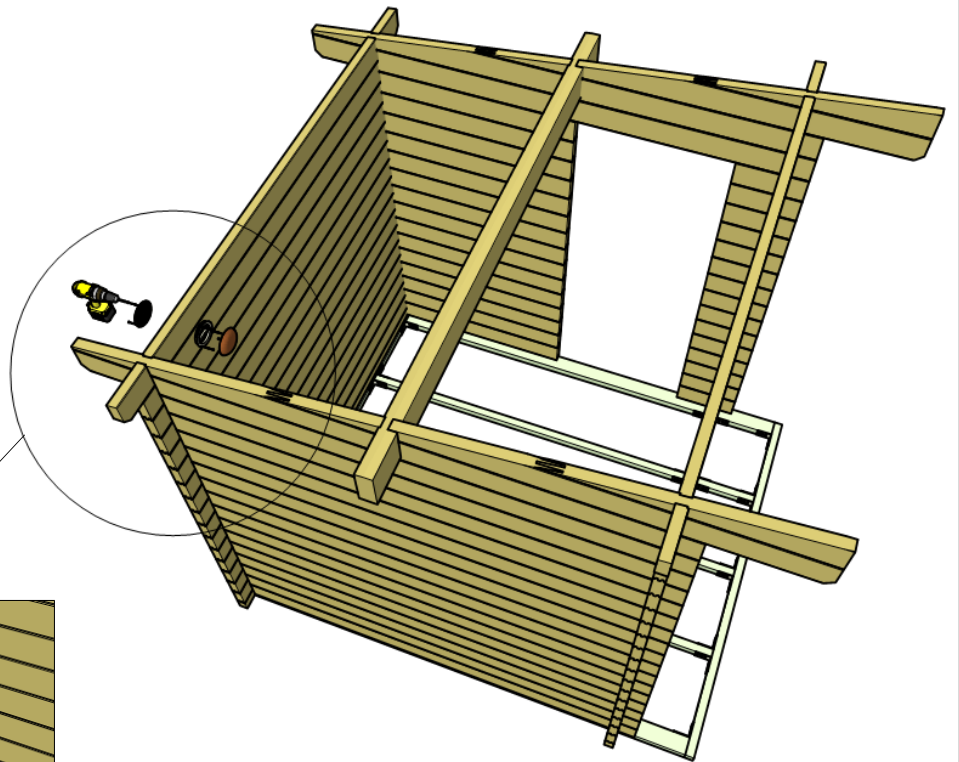
Step 2



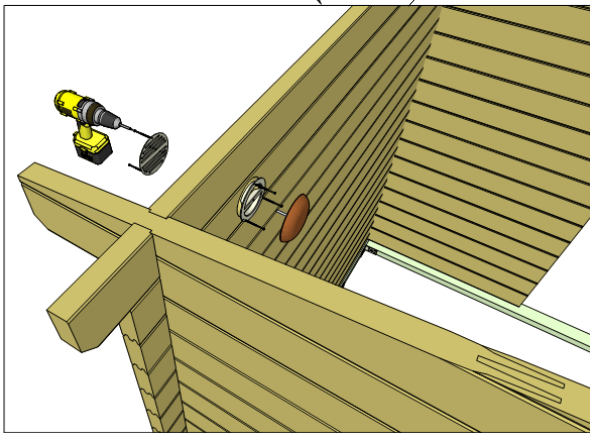
- Fasten the purlins with screws. Make sure the upper side of the purlins is oblate. If necessary, adjust the tapping of the purlins.
- Fasten the gable parts with screws.

## 6 Purlins

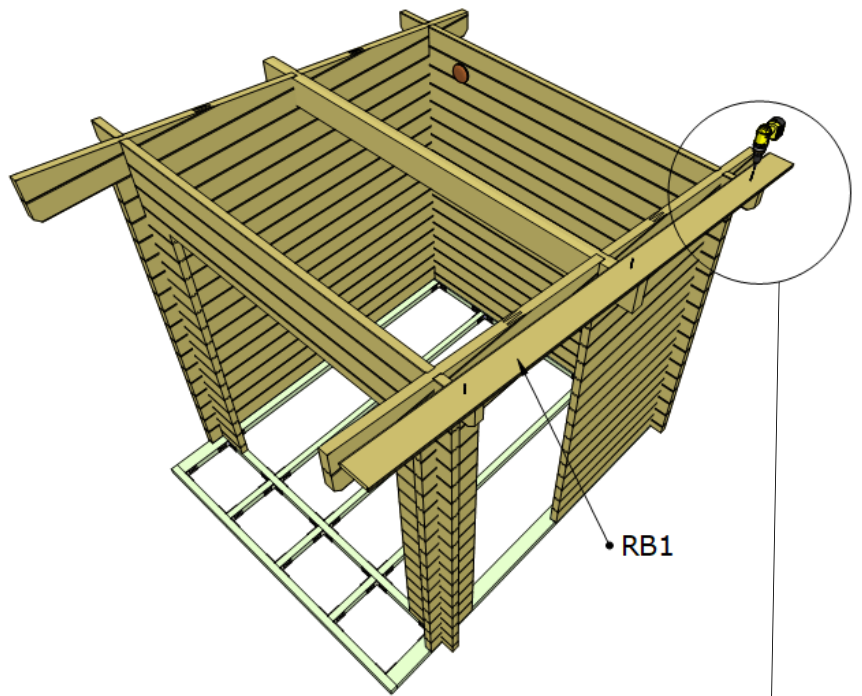
- Install the ventilation grill in the back wall.



Ventilation grill details.  
Install the wooden part  
inside the room

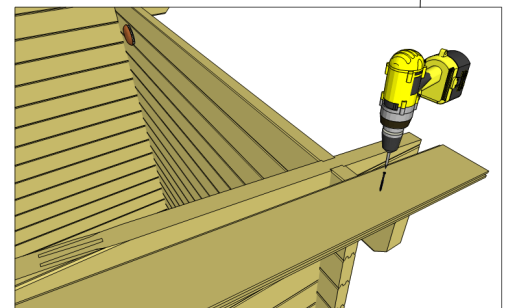


## Step 1

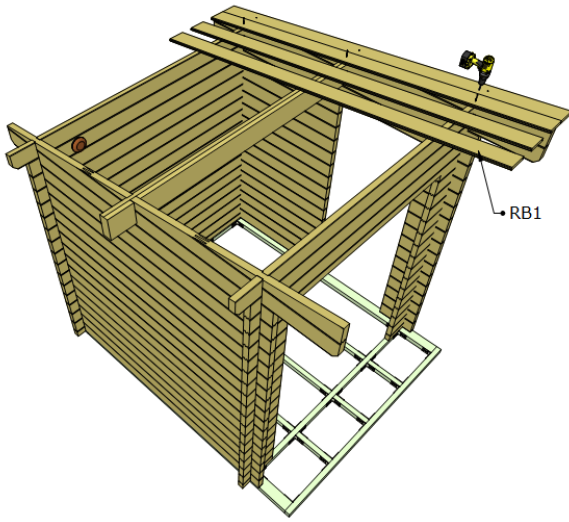


## Step 2

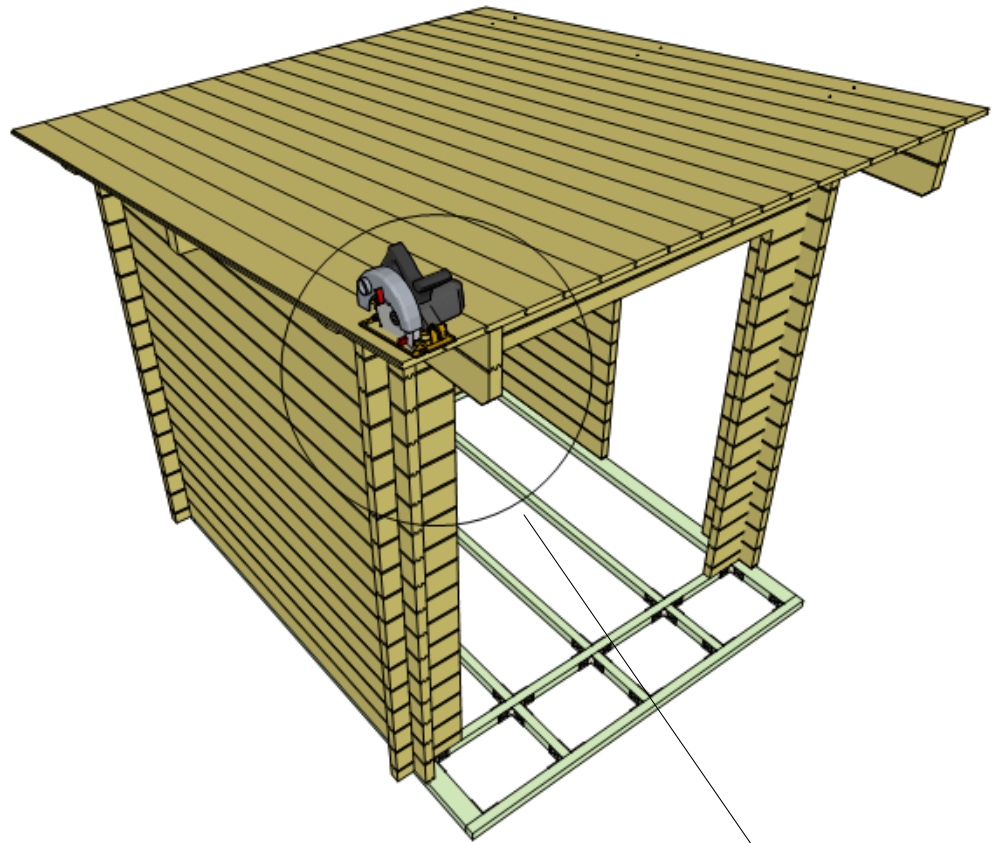
- Fasten the roof boards with screws. Start with the groove edge on the board.



- Complete the installation of parts RB1

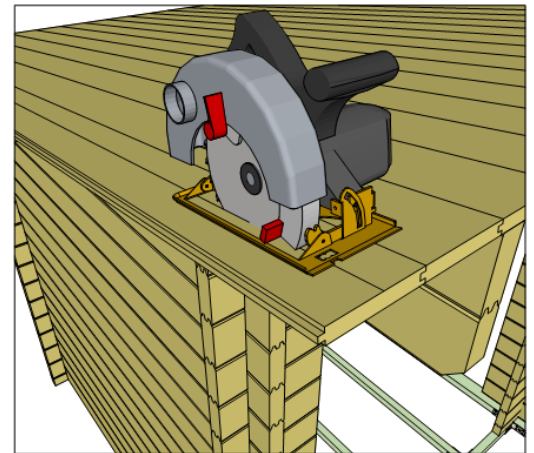


## Step 1

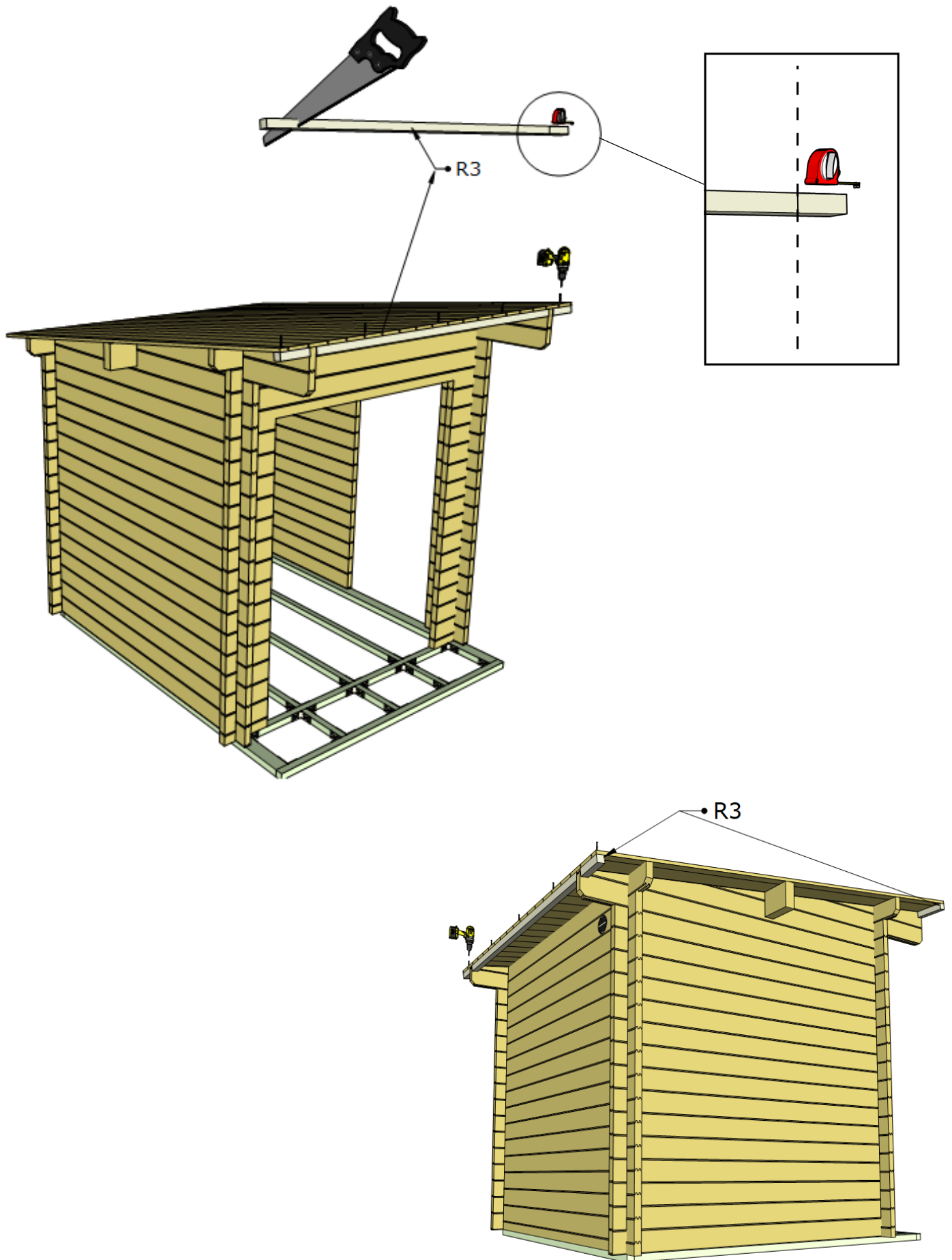


## Step 2

- Cut the last roof board to the correct width. The edge must be aligned with the wall plank and the purlins.

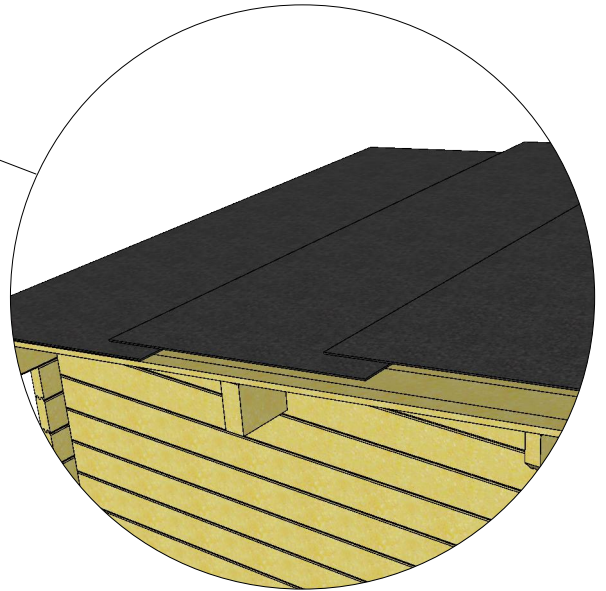
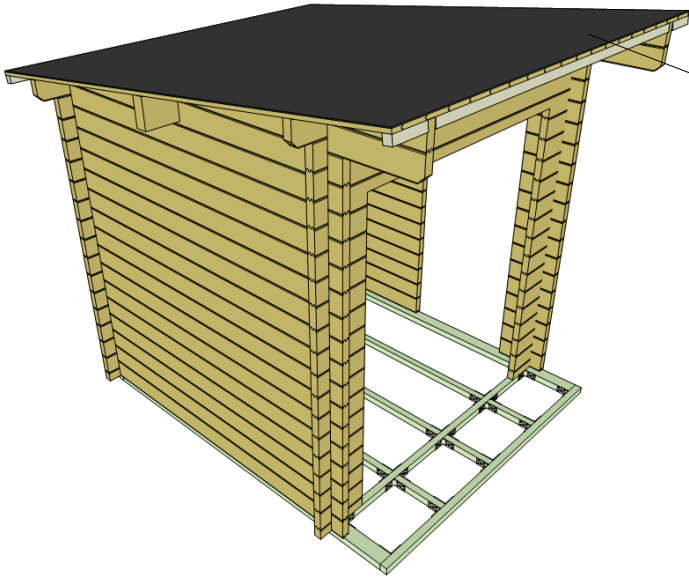


- Cut correct lengths and fasten frontboards fixing with screws.

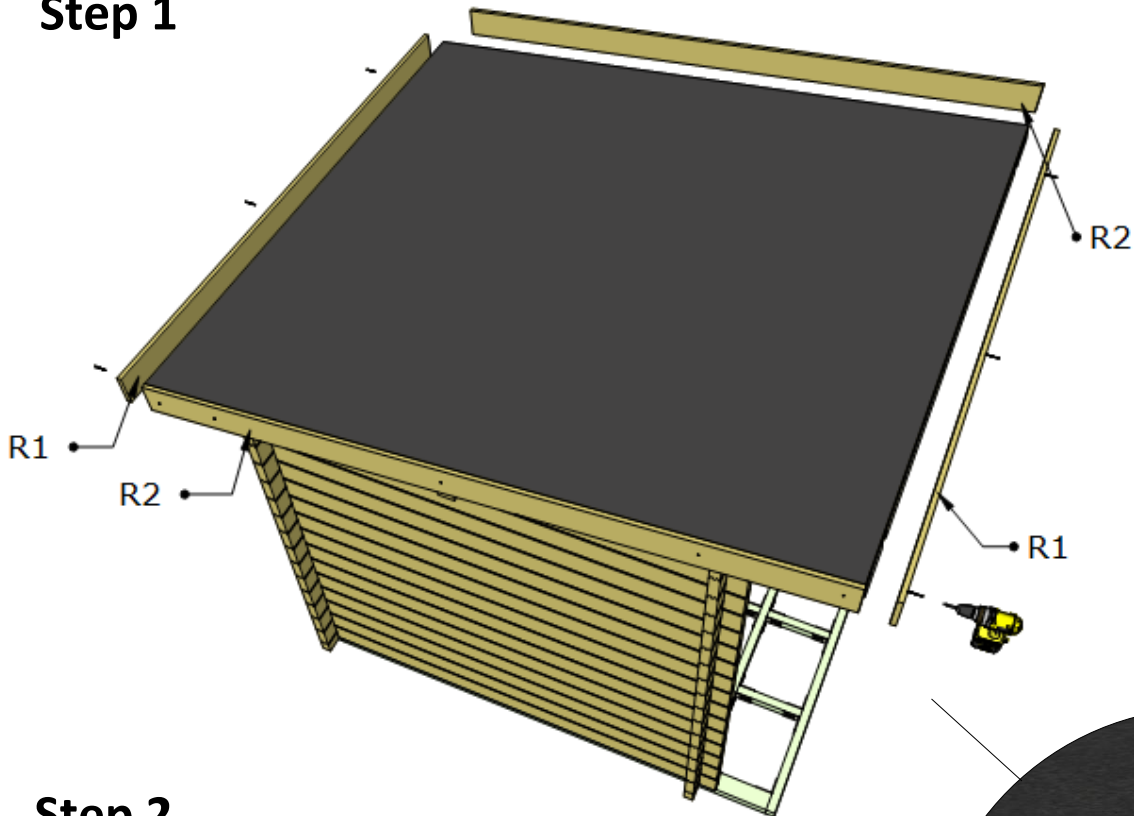




- Install roof shingles, use small nails.

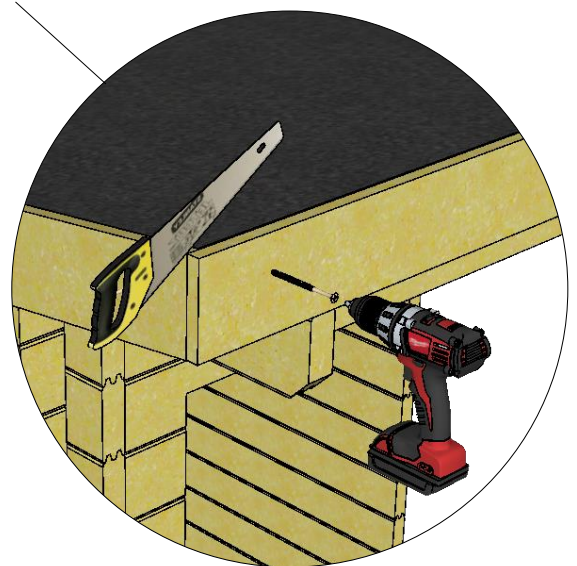


## Step 1

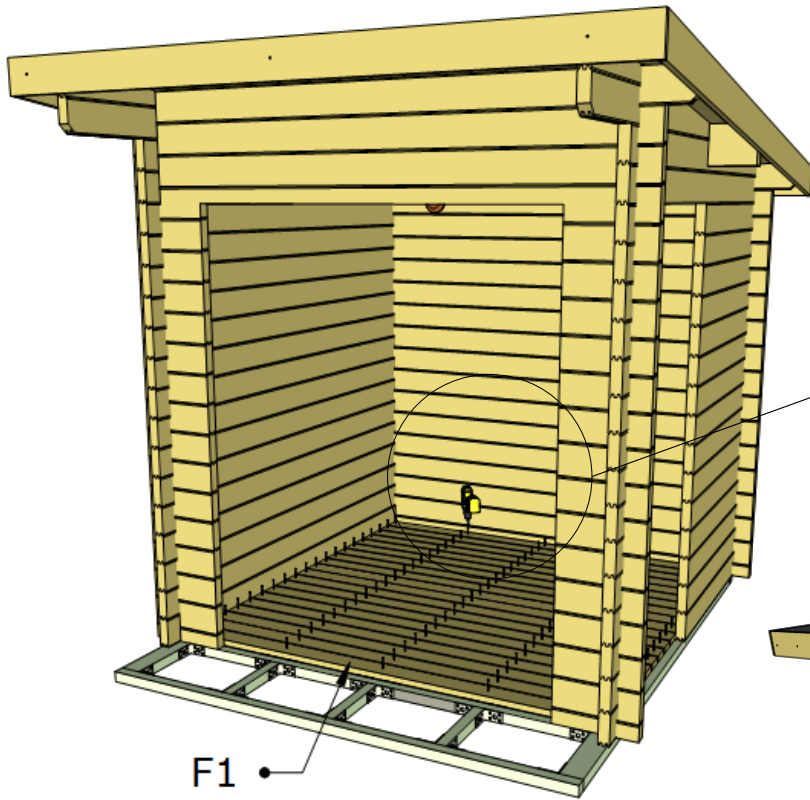


## Step 2

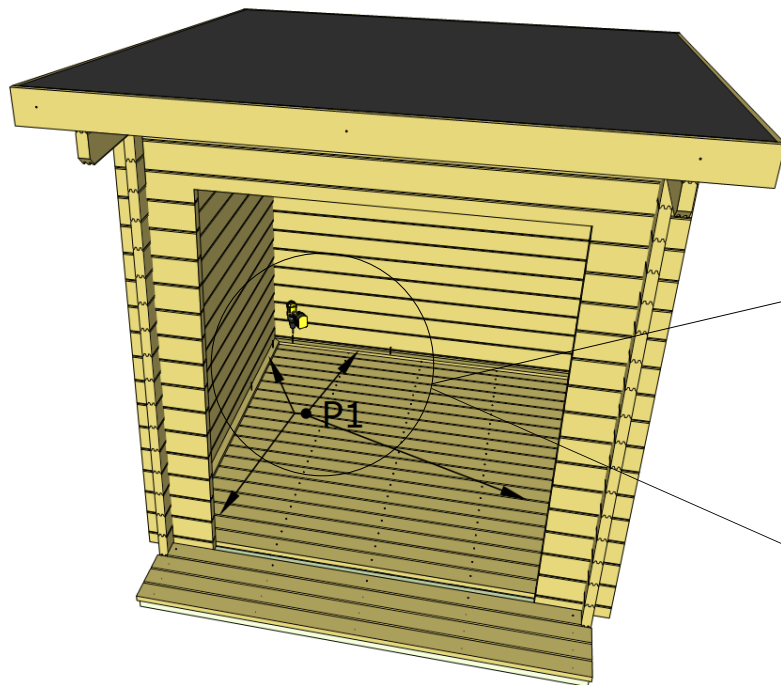
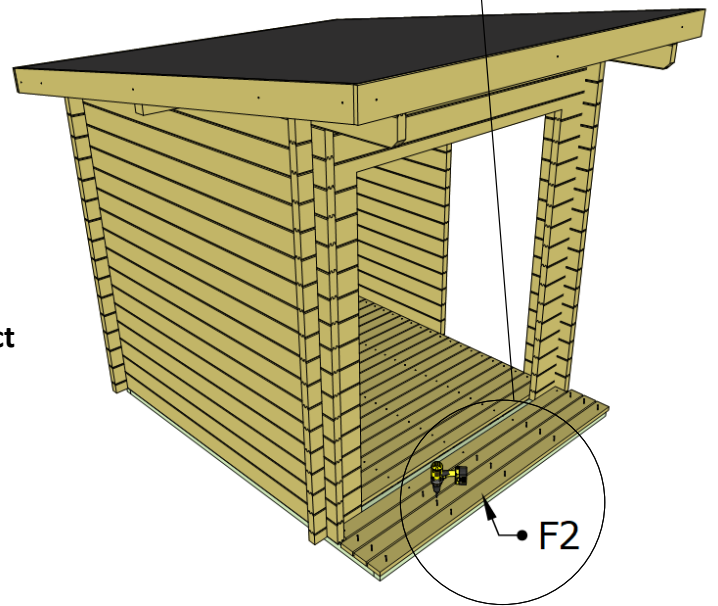
- Fasten the frontboard with screws.
- Cut the correct angle and fasten gableboards with screws.



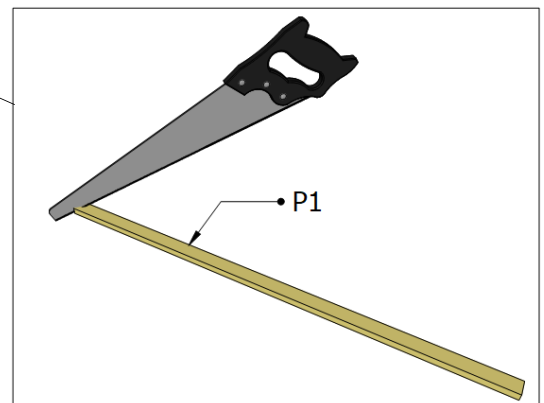
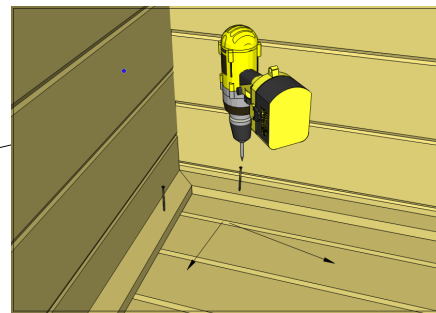




- Fasten the floor / terrace boards with screws.
- Cut the final floor/ terrace board to the correct width.

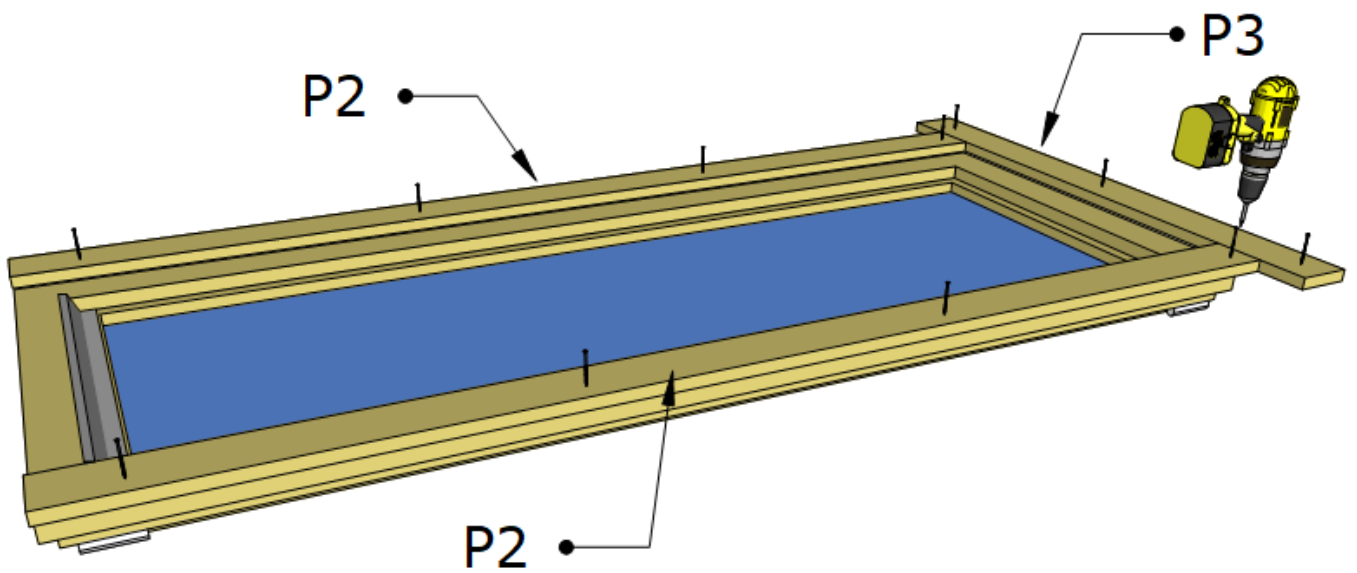
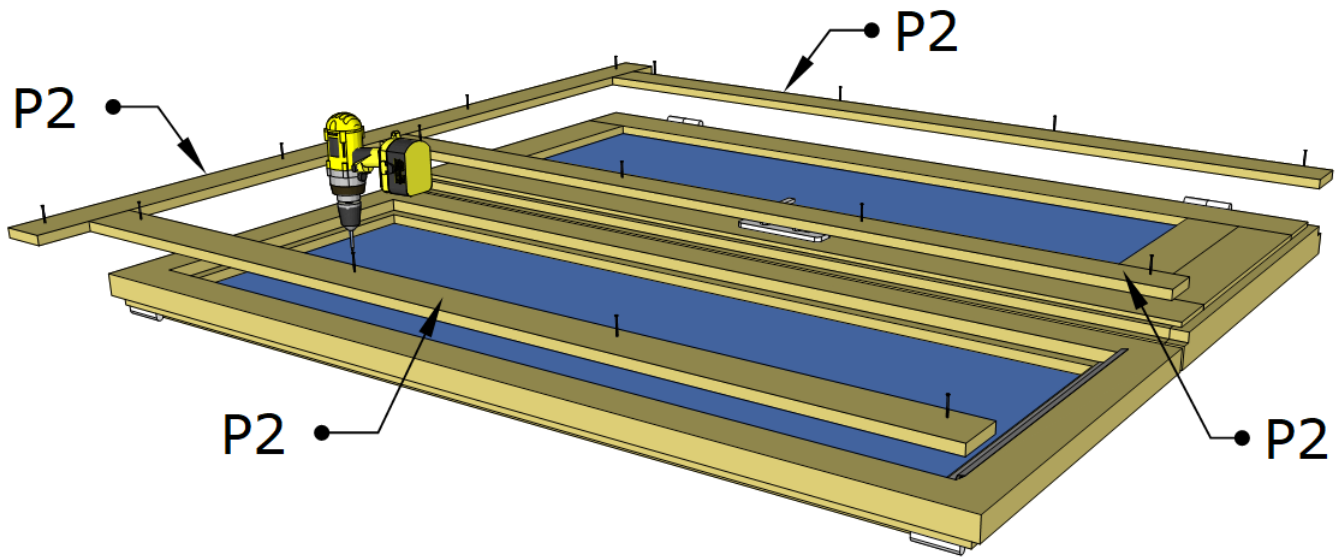


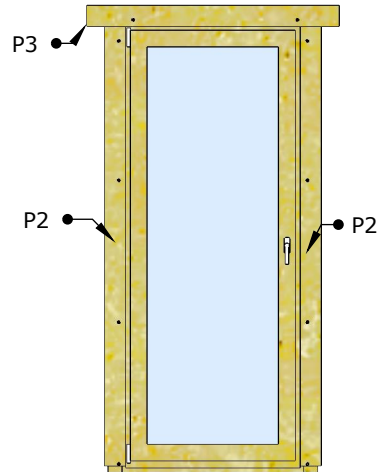
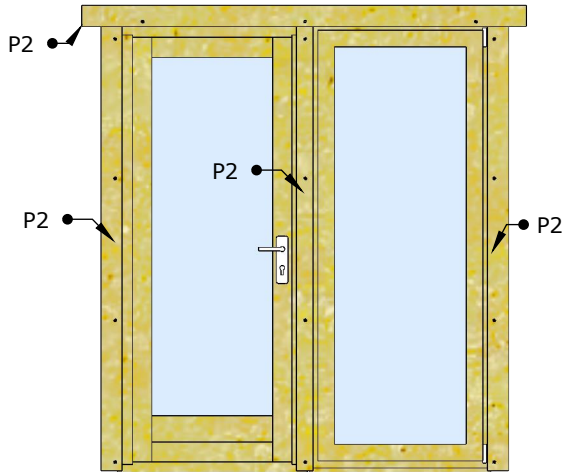
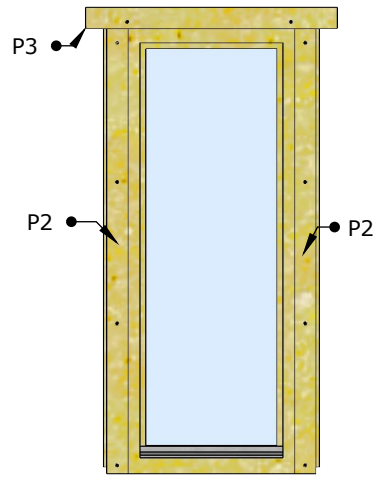
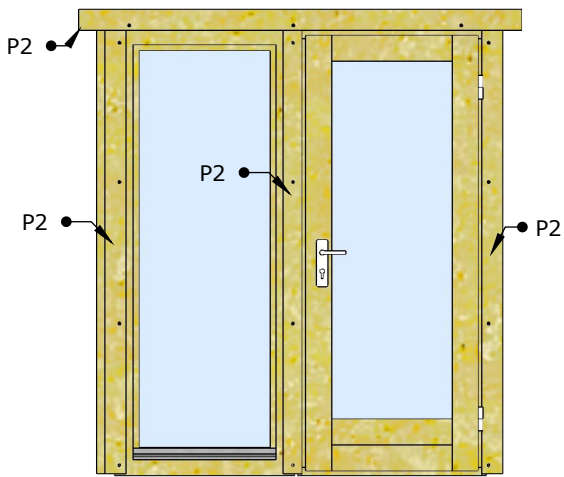
- Cut the floor stripes on right angle and size, then install with screws.



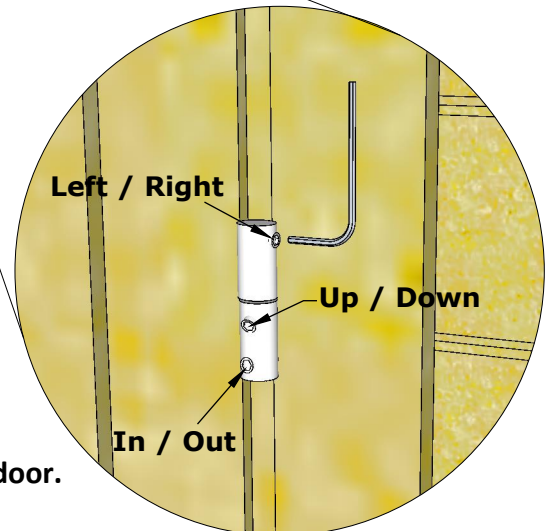
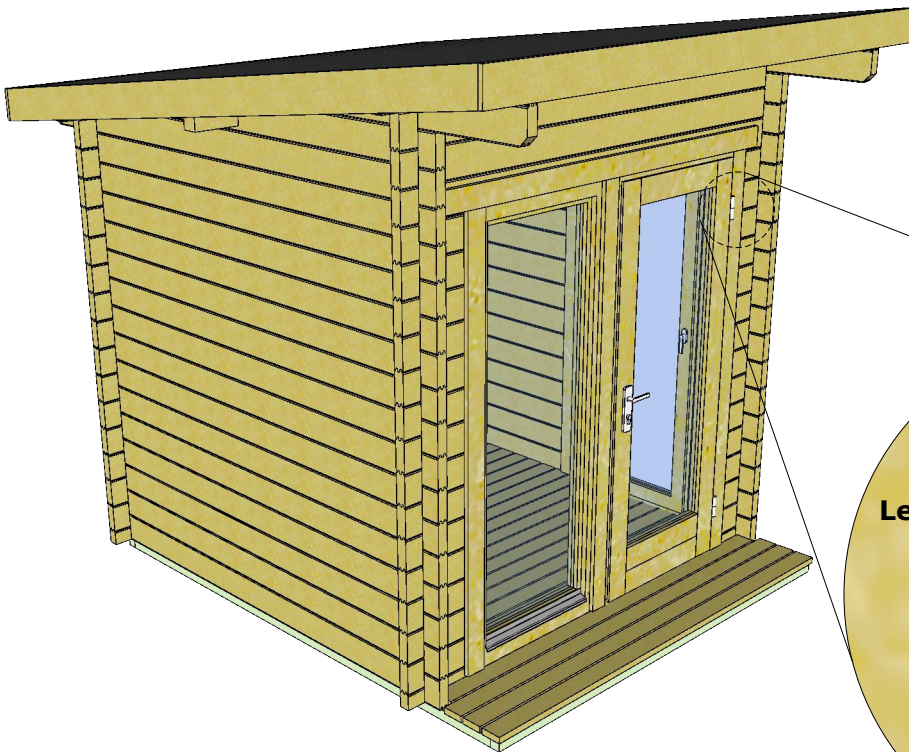
# 1 1 Floor / Terrace boards / Floor stripes

- Slats can only be screwed to the door and window frame and not to the wall.

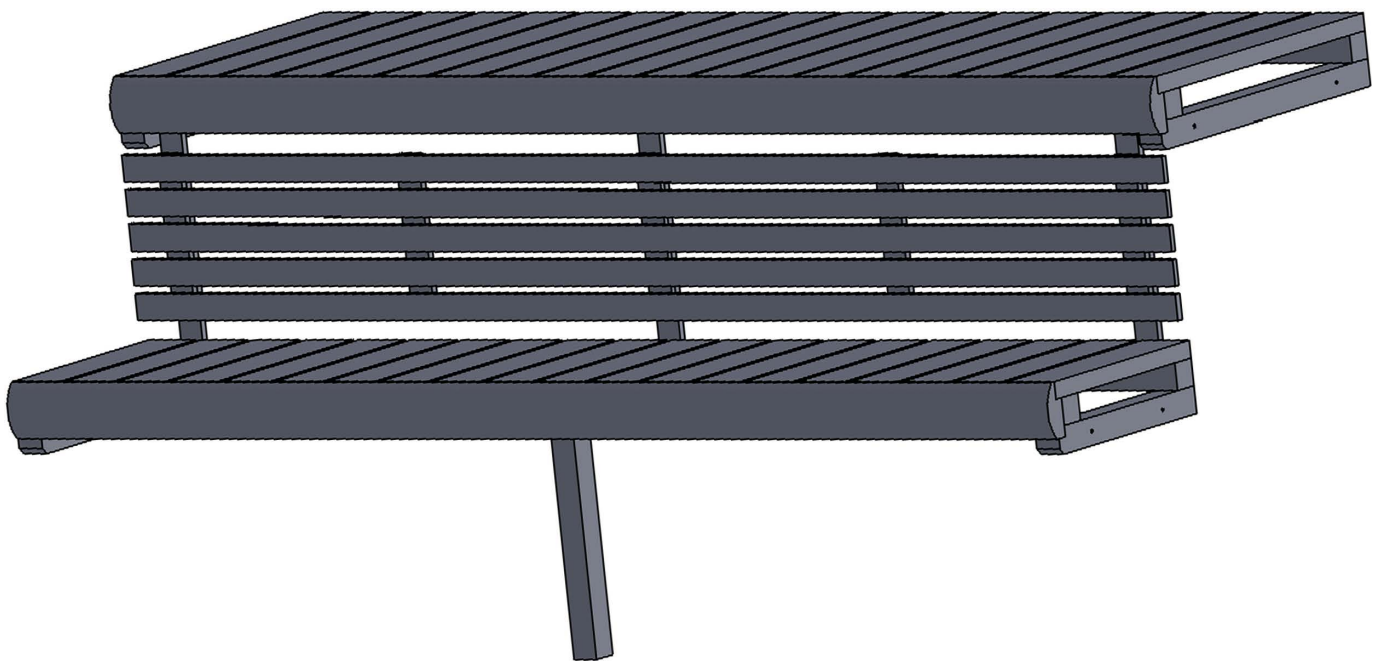




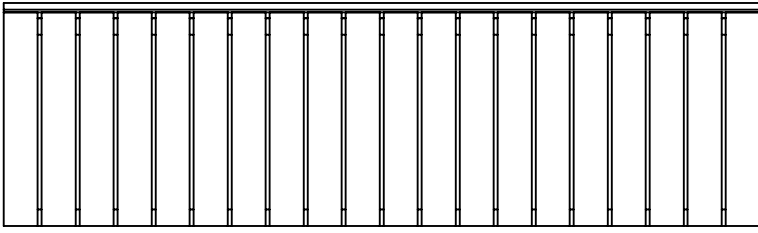
- To fix the door and windows to the house use only slats.
- Slats can only be screwed to the door and window frame and not to the wall.



- Adjust the door.



**Element 1**



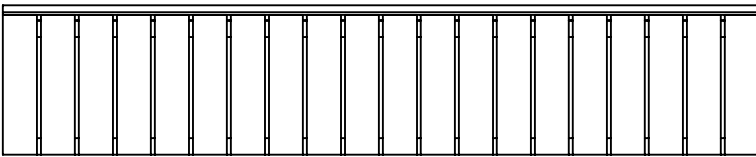
**X 1**

**Element 3**



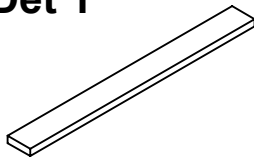
**X 2**

**Element 2**



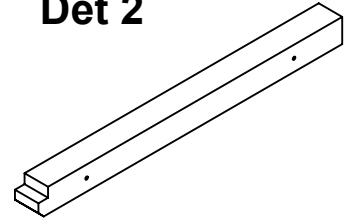
**X 1**

**Det 1**



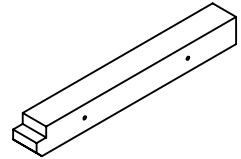
**X 3**

**Det 2**



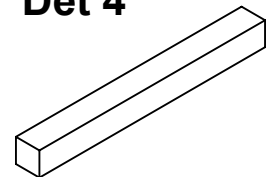
**X 2**

**Det 3**



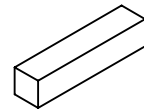
**X 2**

**Det 4**



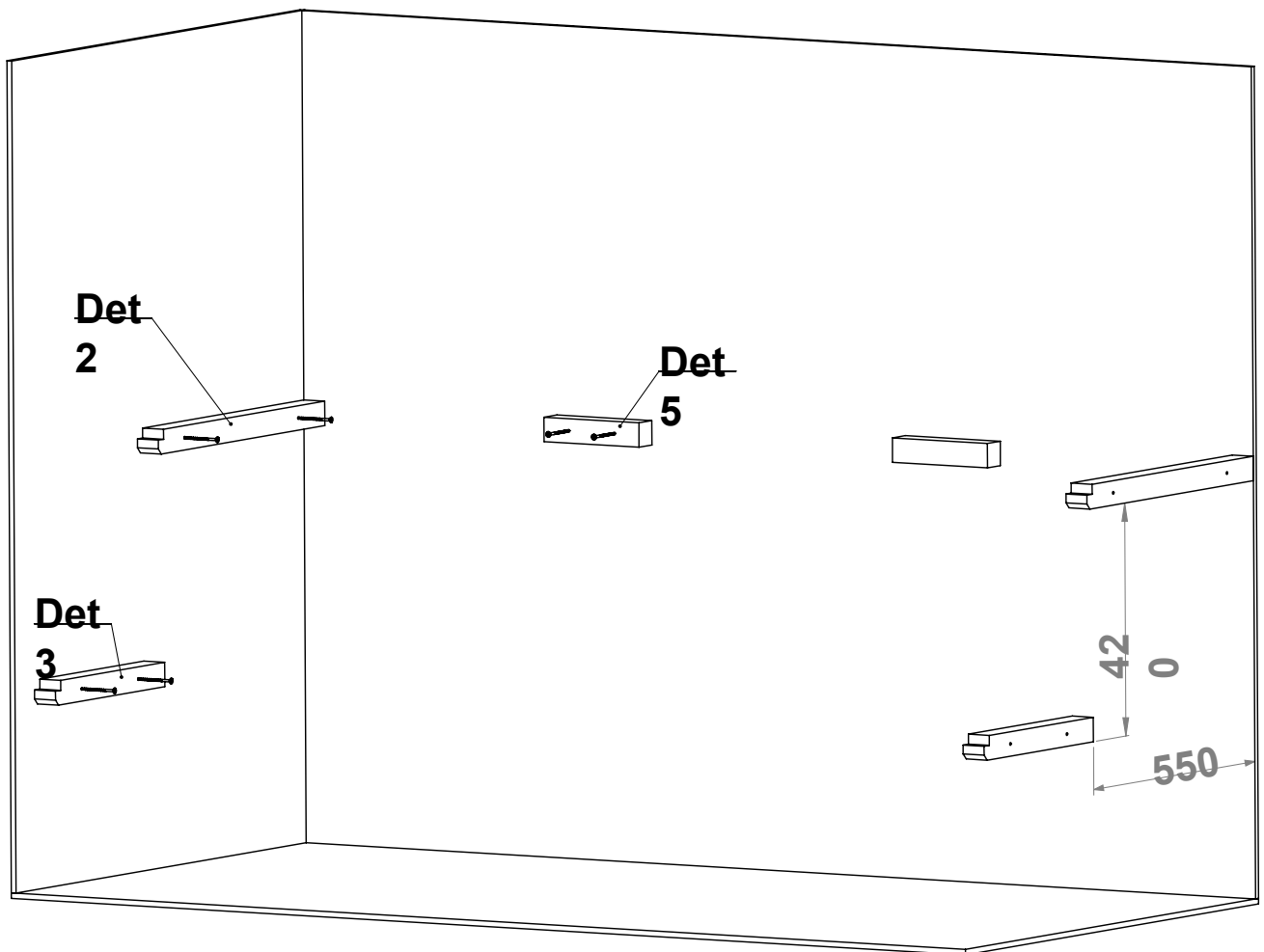
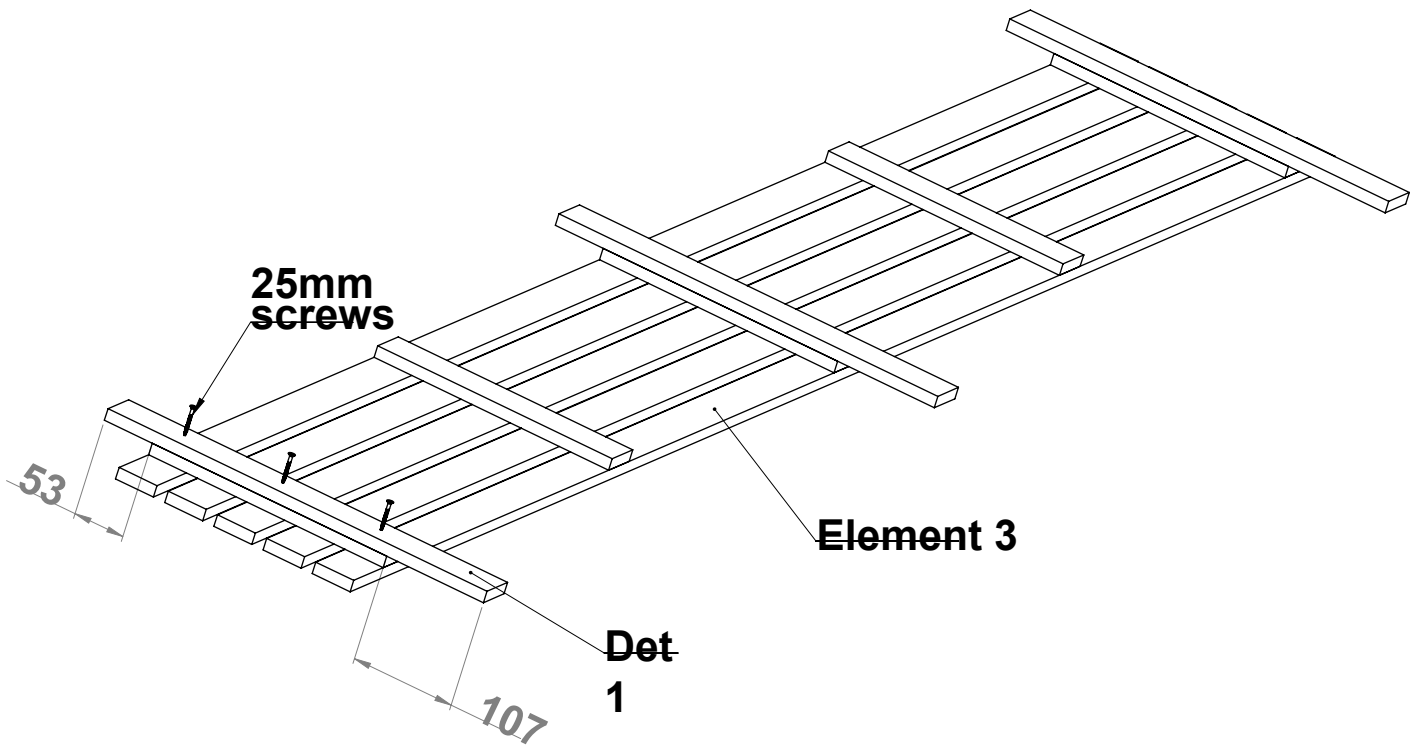
**X 1**

**Det 5**

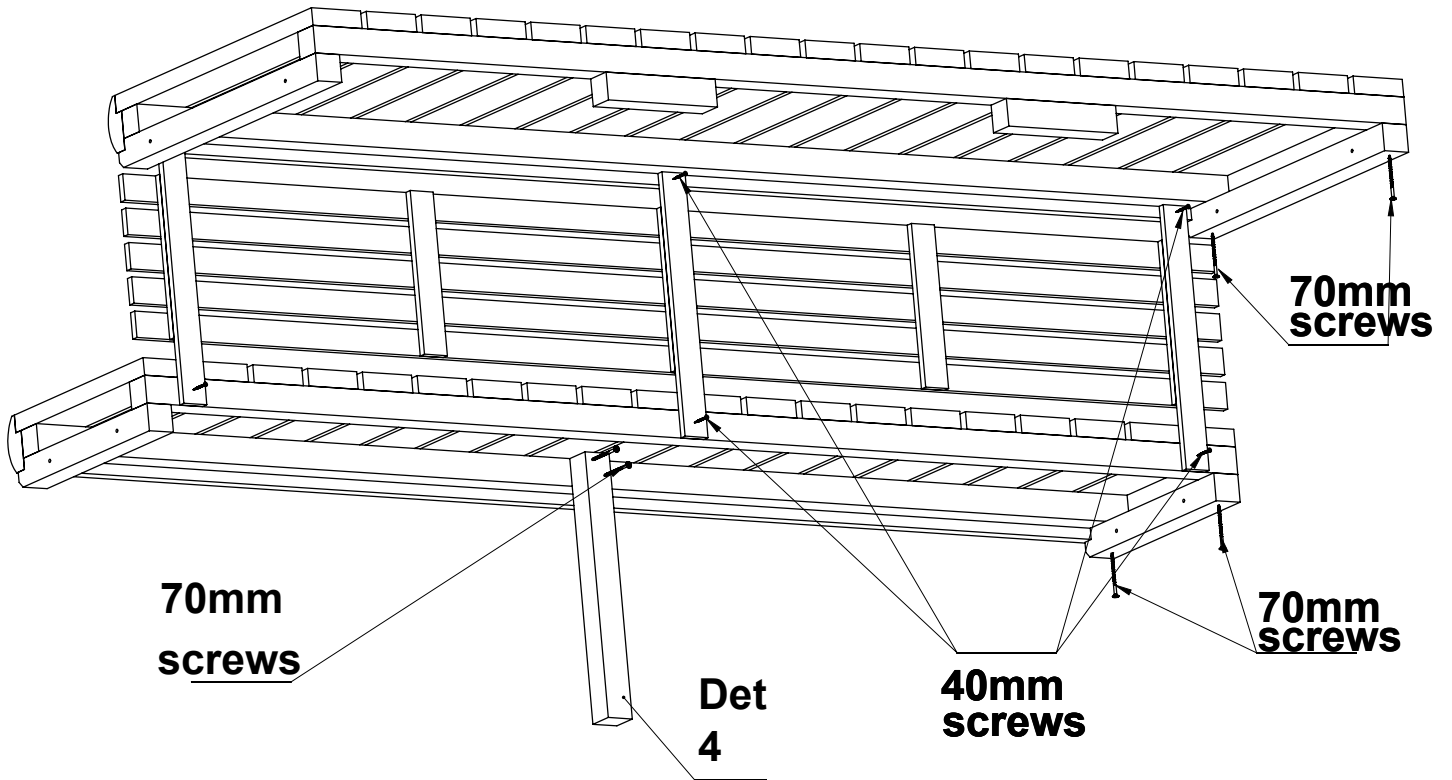


**X 2**





**NB** Drill the pilot holes  
for the screws



**Connect element 3  
to the wall**

