

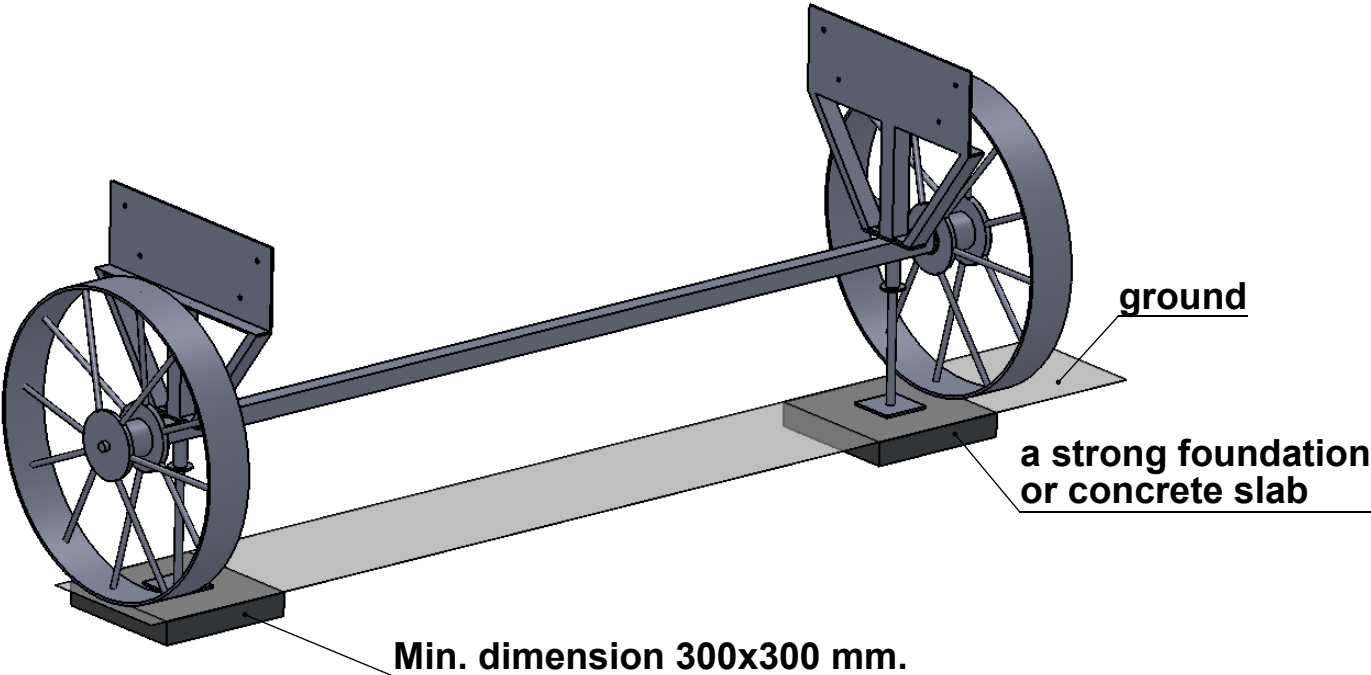
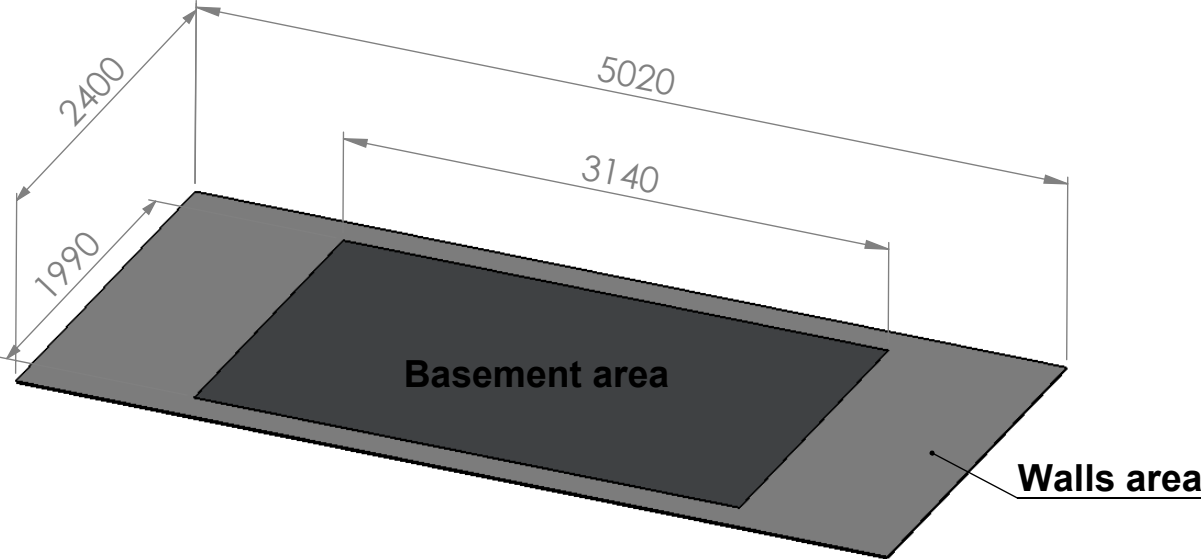
# PACKING LIST

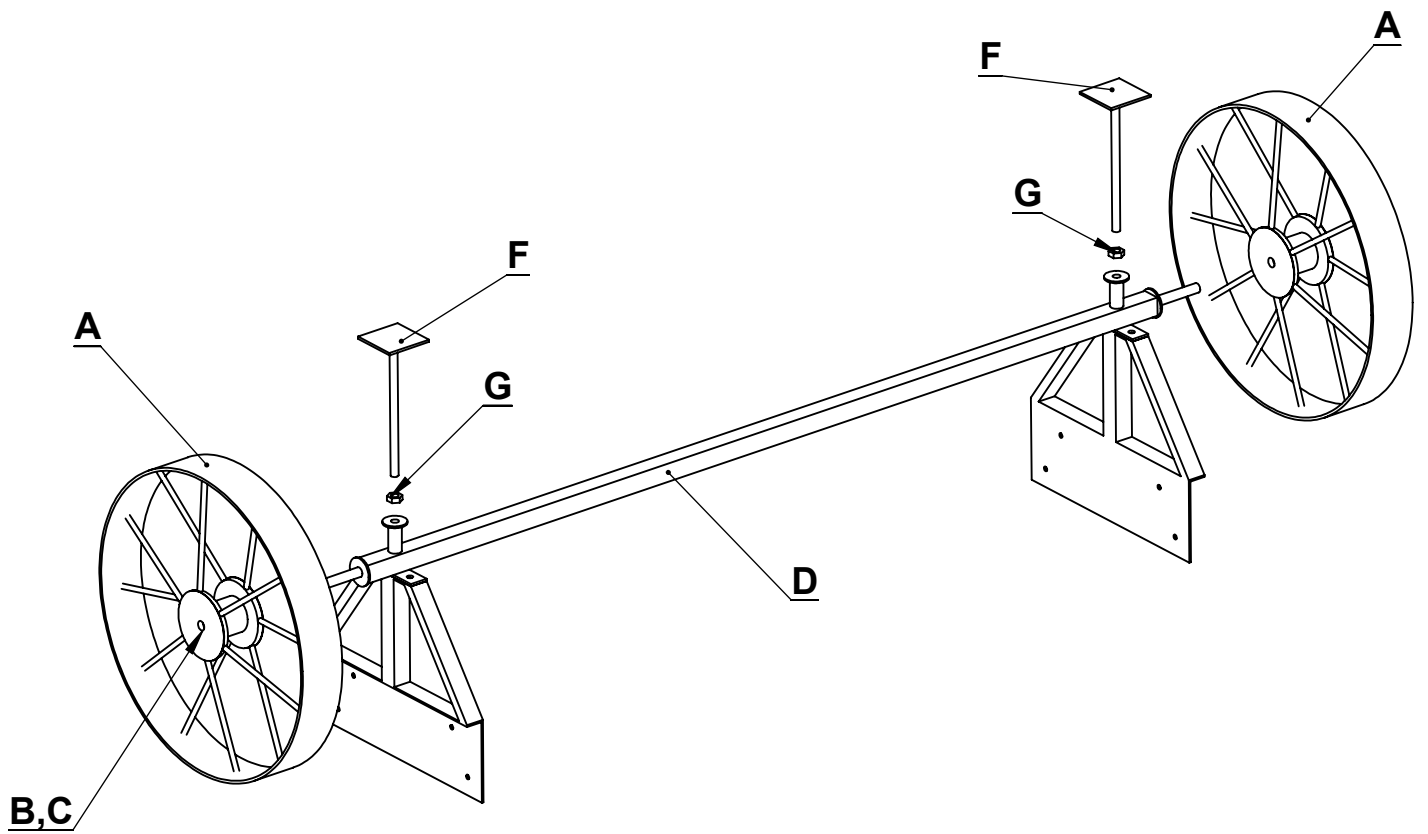
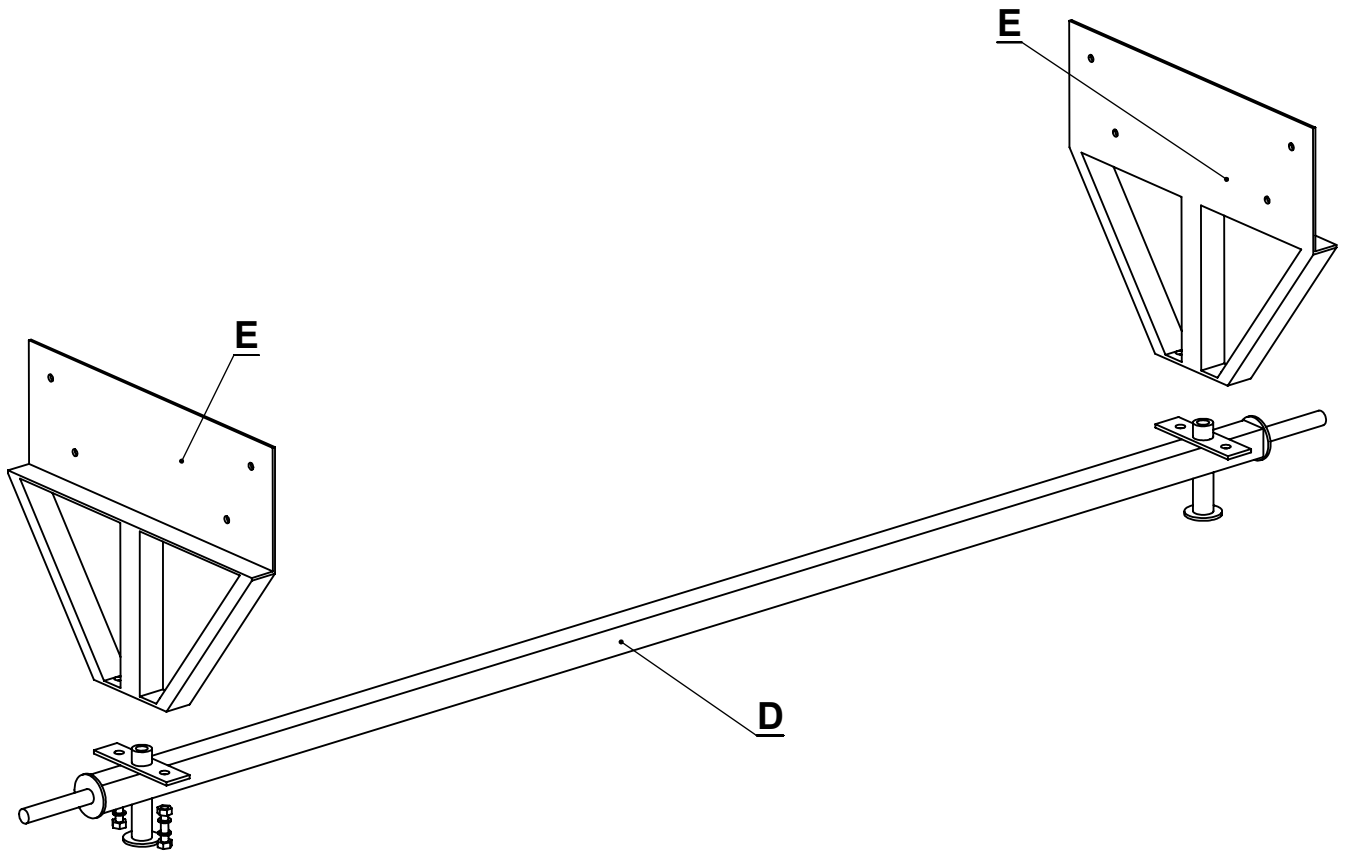
1/2

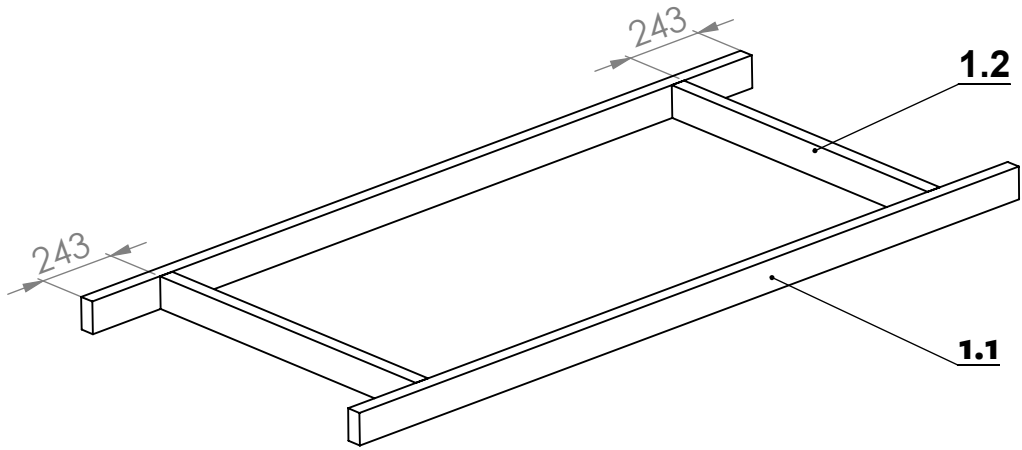
element no.	element,s name	quantity	dimension (mm)	specify
1.1	bottom frame	4	44X94X2368	
1.2	bottom frame	4	44X94X1000	
2.1	bottom beam	7	44X120X3550	
2.2	bottom beam	7	44X120X1162	
2.3	bottom beam connection bar	7	44X120X1600	
2.4	bottom beam	2	44X120X2368	
3	floorboard	53	19X94X2368	
3.1	floorboard	1	19X90X2368	first
4.1	front and back wall right	2	753X1890	
4.2	front and back wall left	2	753X1890	
4.3	back wall with open window	1	900X1890	
4.4	door	1	900X1890	
5.1	side wall	7	1200X1890	
5.2	side wall with open window	1	1200X1890	
7	inner arch support	9	455X2406	
8	outer arch support, covered	2	420X2406	
9.1	roof board	1+1	19X60X3258	first/last
9.2	roof board	1+1	19X60X2396	first/last
10.1	roof board	29	19X95X3258	
10.2	roof board	29	19X95X2396	
11	stairs side	1+1	44X120X1205	45* //
12	stairs tread	5	40X140X1200	
13.1	cover slat	12	13X70X1846	
13.2	cover slat/edge	4	13X70X1942	end 37*
13.3	cover slat/middle	2	13X70X2260	end 15*
13.4	cover slat / door	1	13X70X1050	
14	the upper feather key	4	28X44X2827	edge 37*
15	arch	8	28X90X710	

<b>Nr</b>	<b>Metal parts</b>	<b>Qty</b>
<b>A</b>	<b>wagon wheel</b>	<b>4</b>
<b>B</b>	<b>wagon wheel,s washer</b>	<b>4</b>
<b>C</b>	<b>wheel,s splint</b>	<b>4</b>
<b>D</b>	<b>wagon axle</b>	<b>2</b>
<b>E</b>	<b>support</b>	<b>4</b>
<b>F</b>	<b>adjustable support leg</b>	<b>4</b>
<b>G</b>	<b>adjustable leg,s nut</b>	<b>4</b>
	<b>fasteners set</b>	
	<b>assembly instruction</b>	

**Attention! This wagon must be based on adjustable legs and is not moveable!**

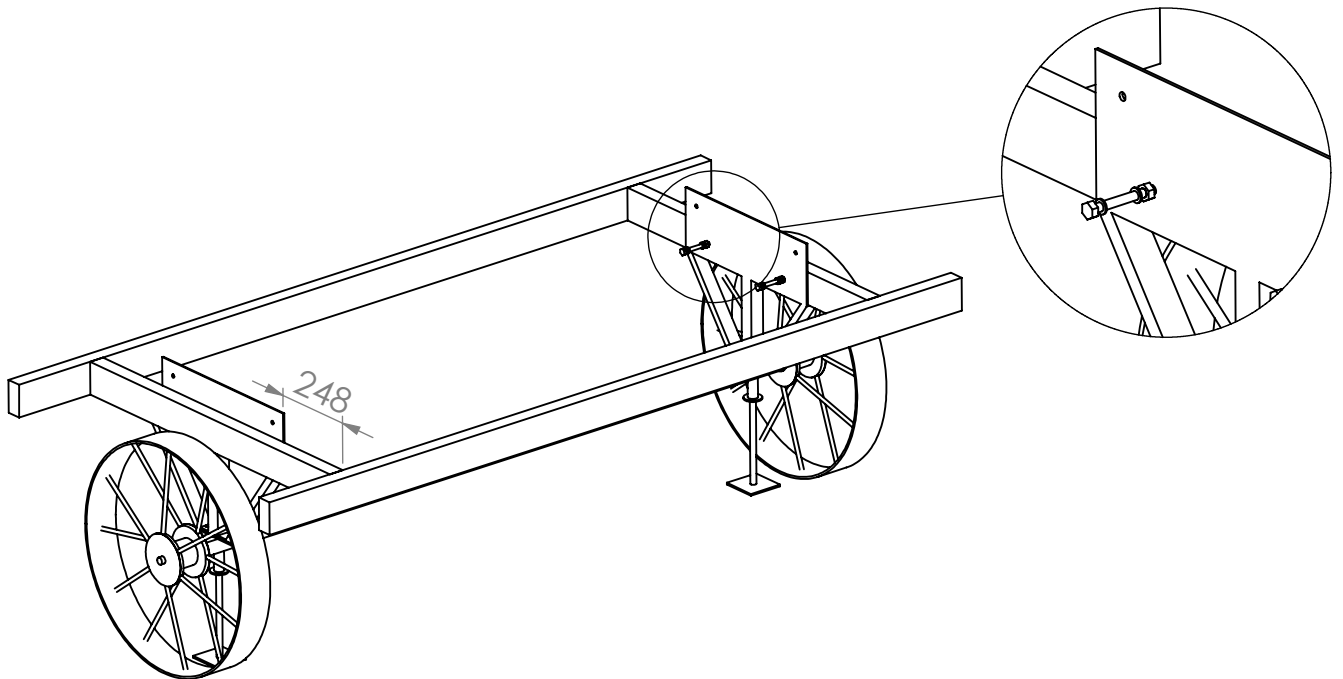






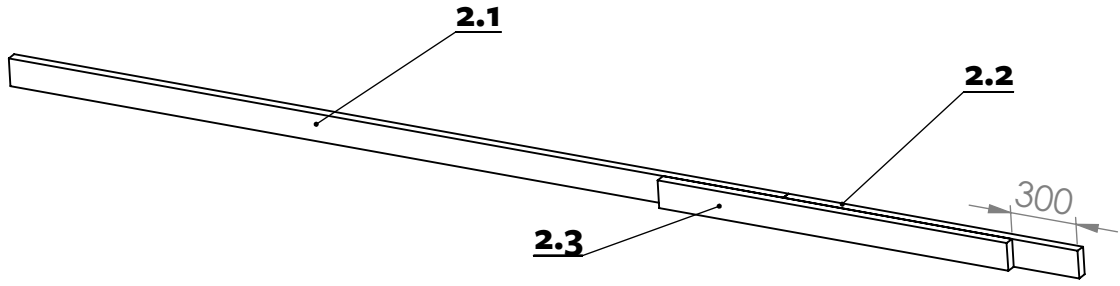
**1.1+1.2**

**4,5x80 - 16**



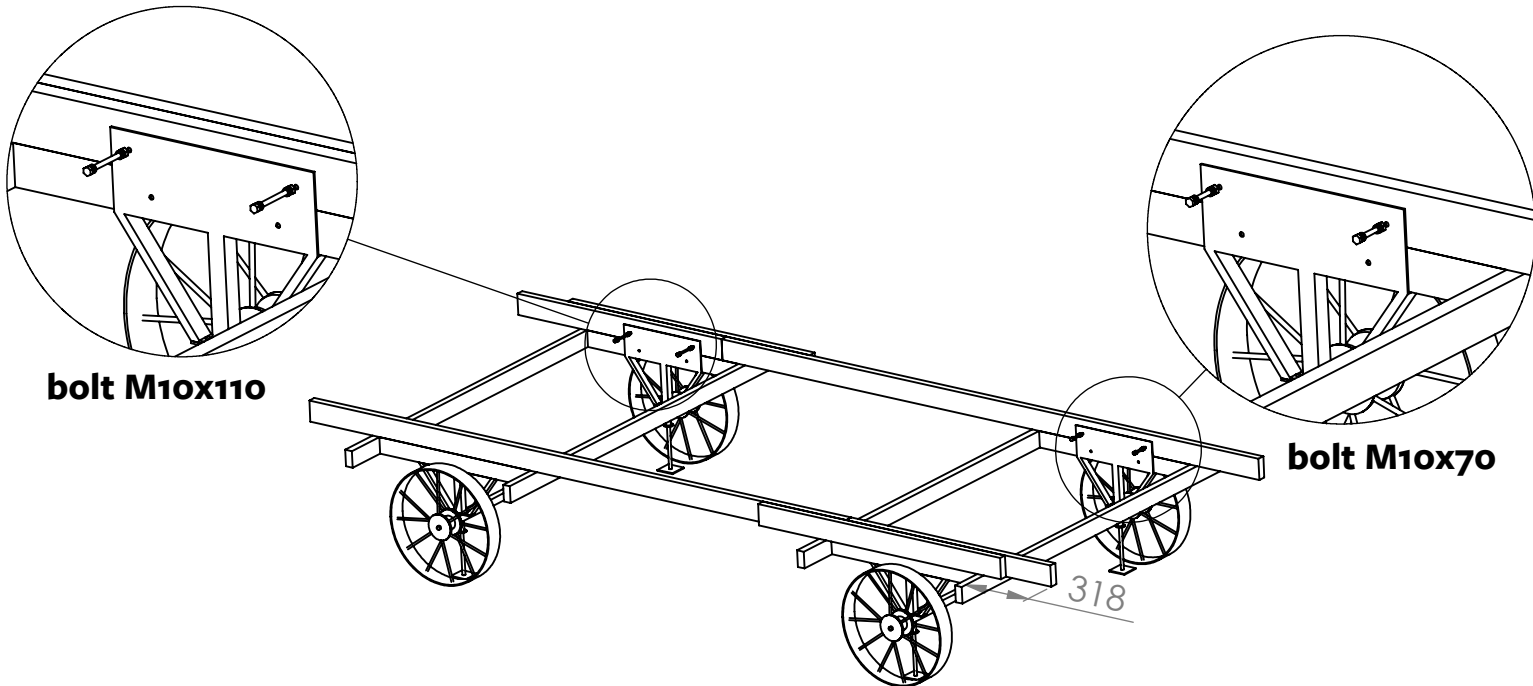
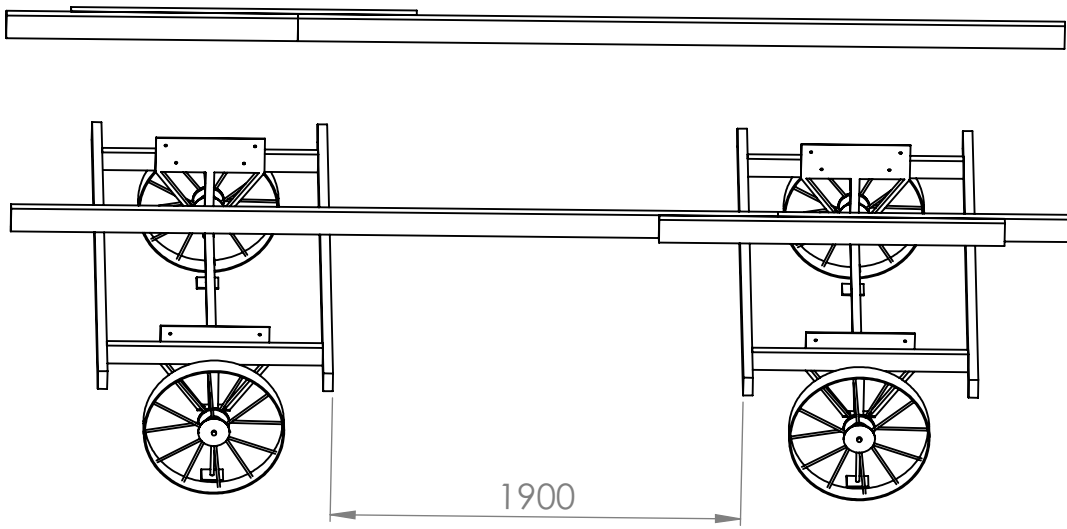
**base + 1.1 - 1.2**

**bolt M10x70 - 8**  
**washer M10 - 16**  
**nut M10 - 8**



**2.1 + 2.2 + 2.3**

**4,5x80 - 70pcs**

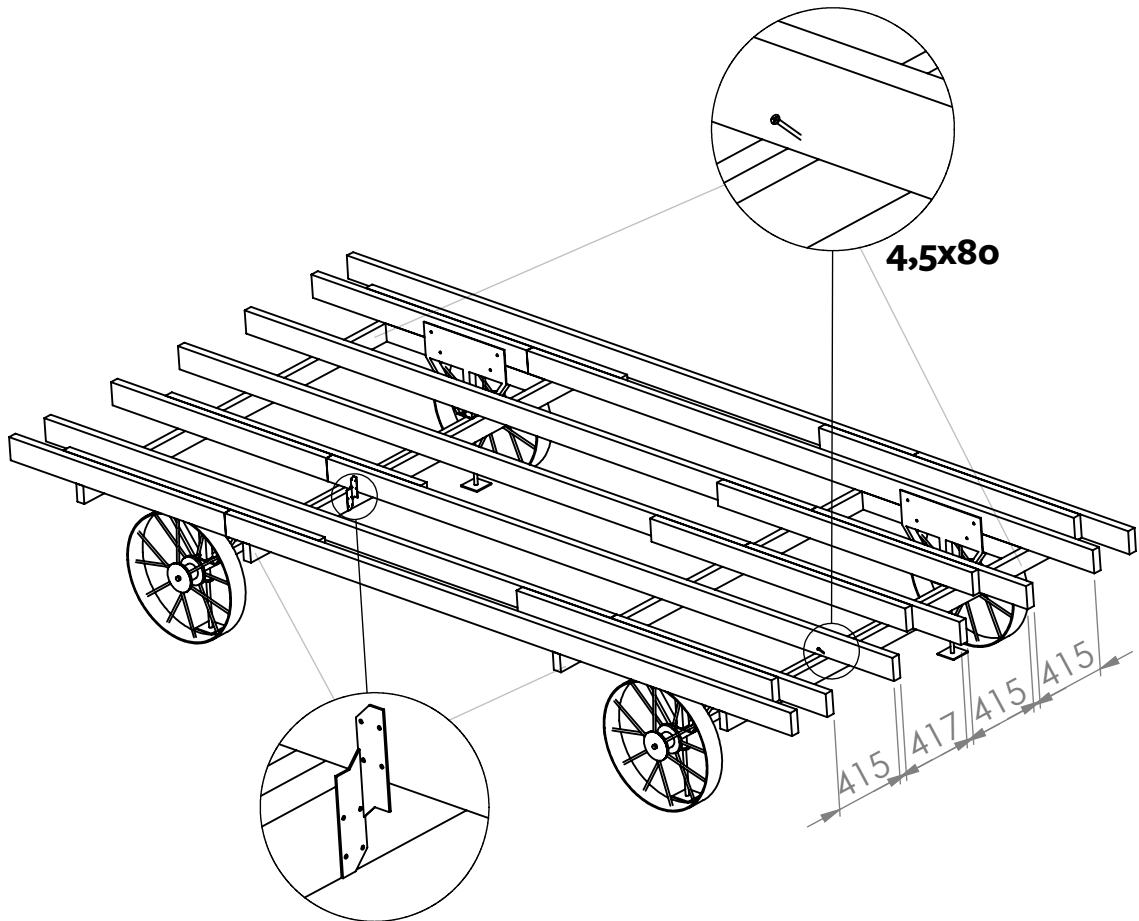
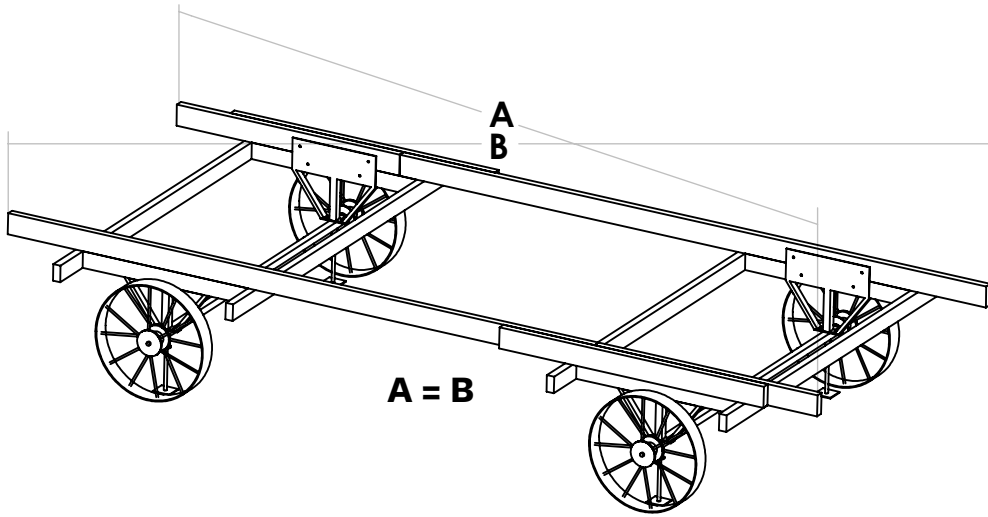


**bolt M10x110**

**bolt M10x70**

**base + 2.1 - 2.2 - 2.3**

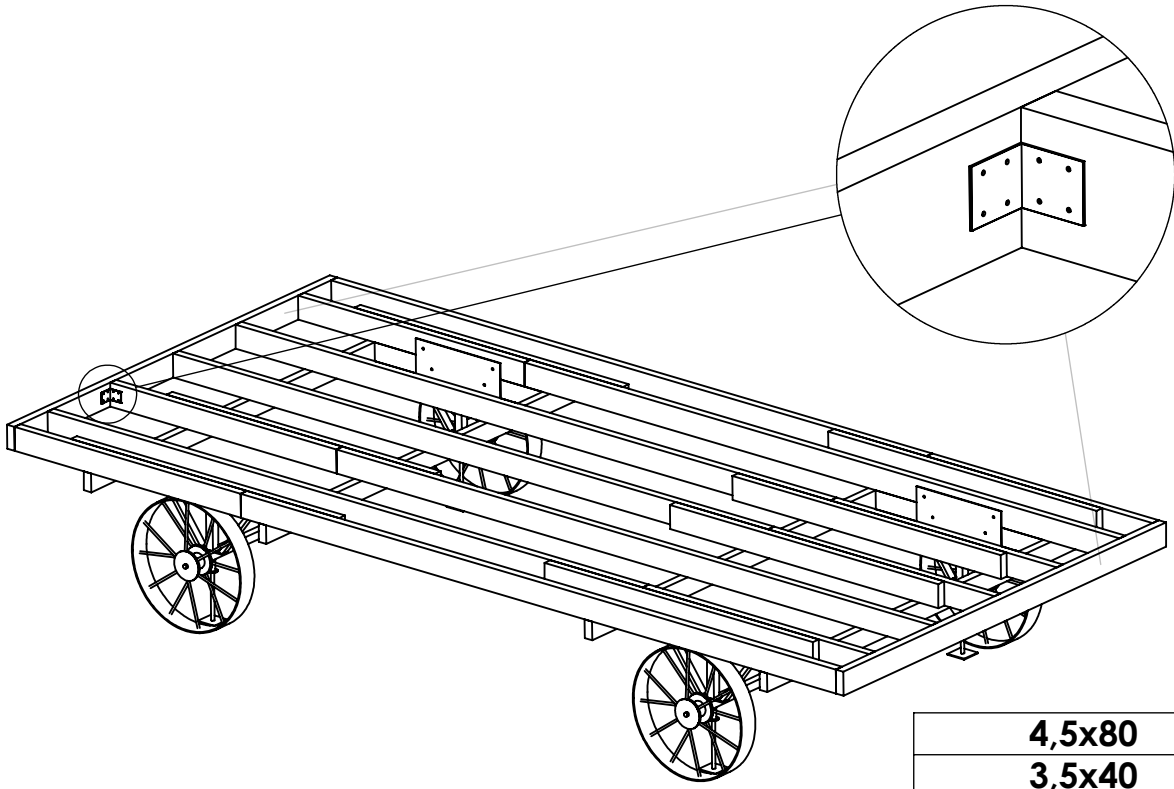
**bolt M10x70/110 - 4+4**  
**washer M10 - 16**  
**nut M10 - 8**



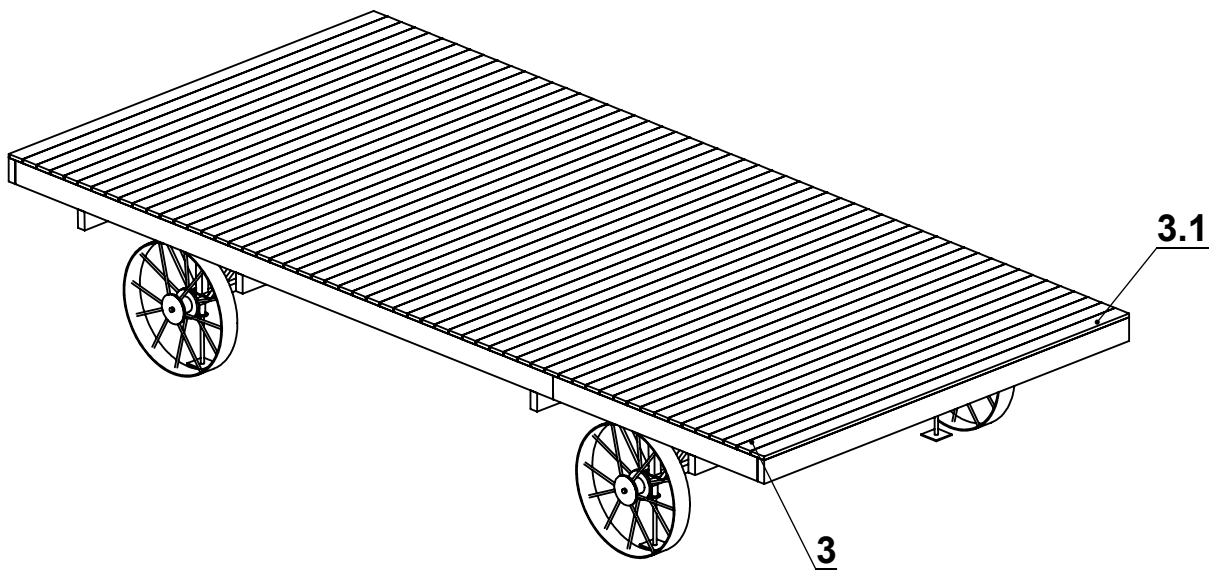
**carrier plate  
170x35**

4,5x80	10
3,5x40	144
carrier plate R/L	9+9

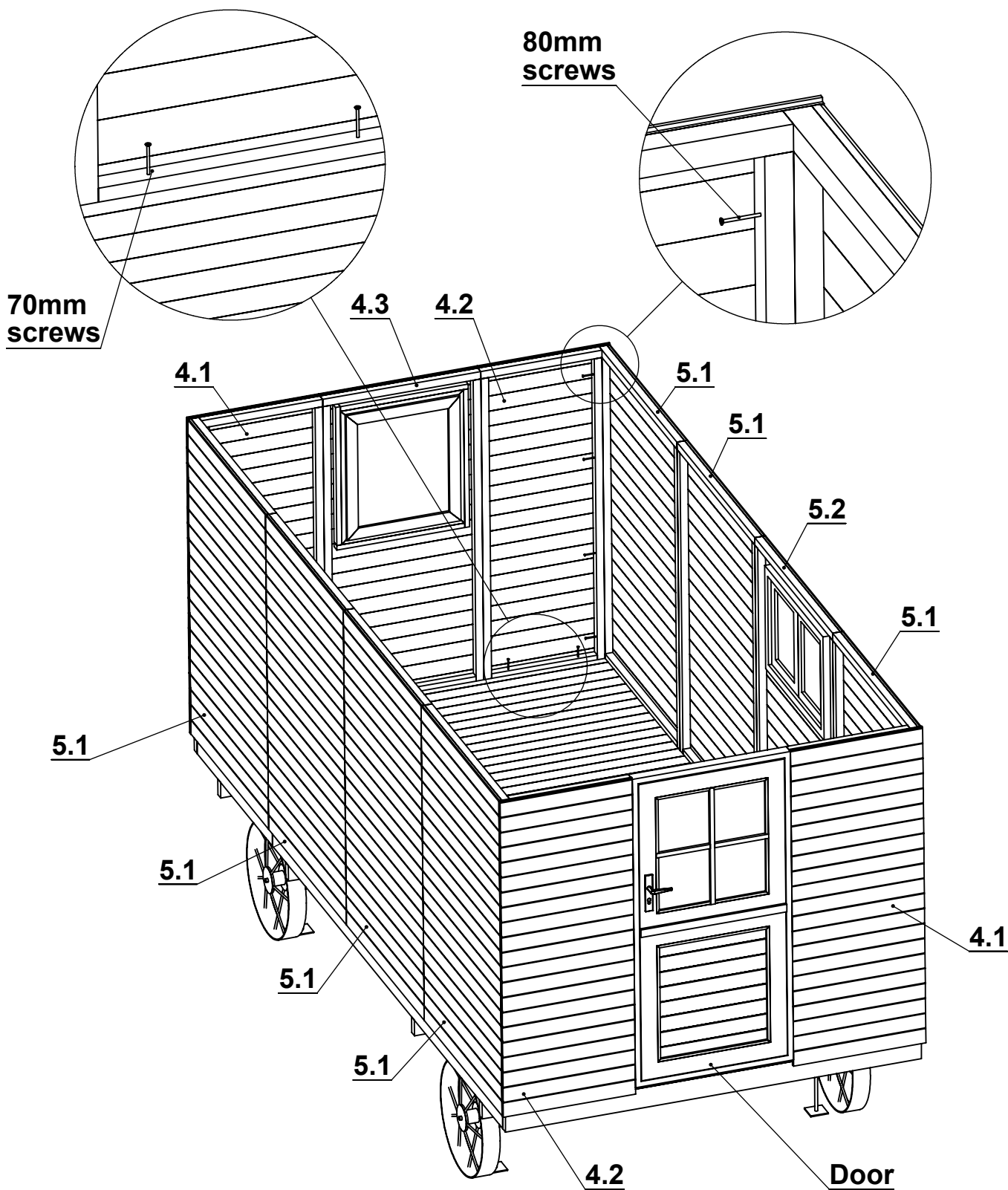




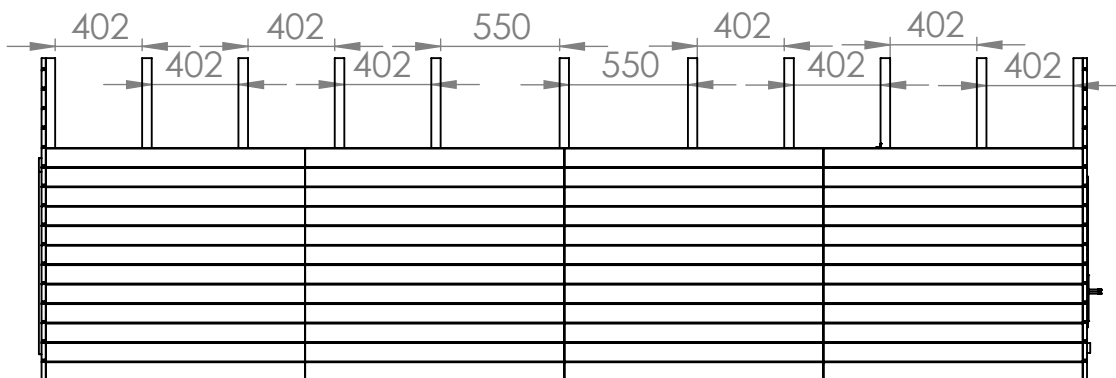
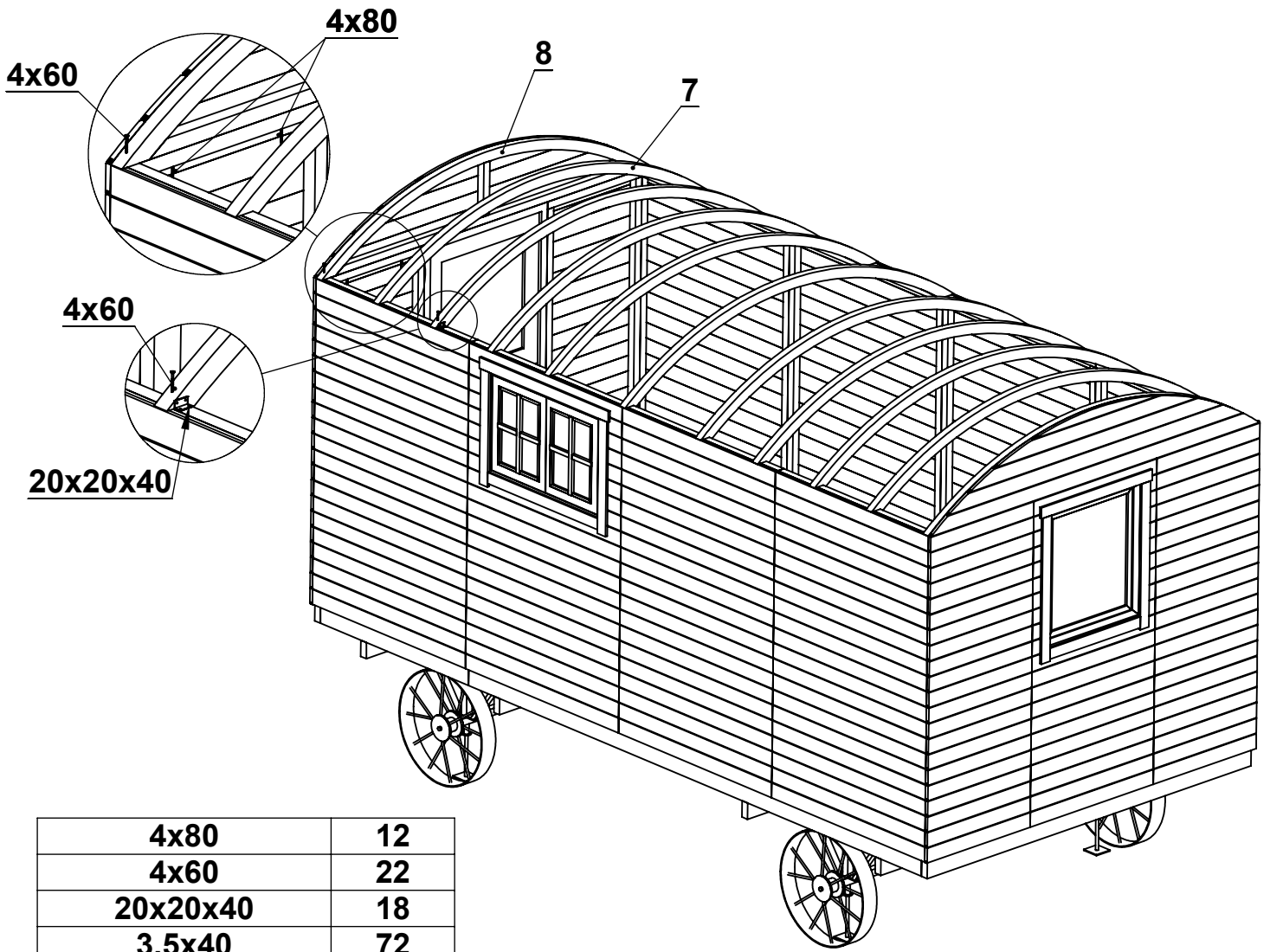
<b>4,5x80</b>	<b>28</b>
<b>3,5x40</b>	<b>112</b>
<b>80x80x40</b>	<b>14</b>

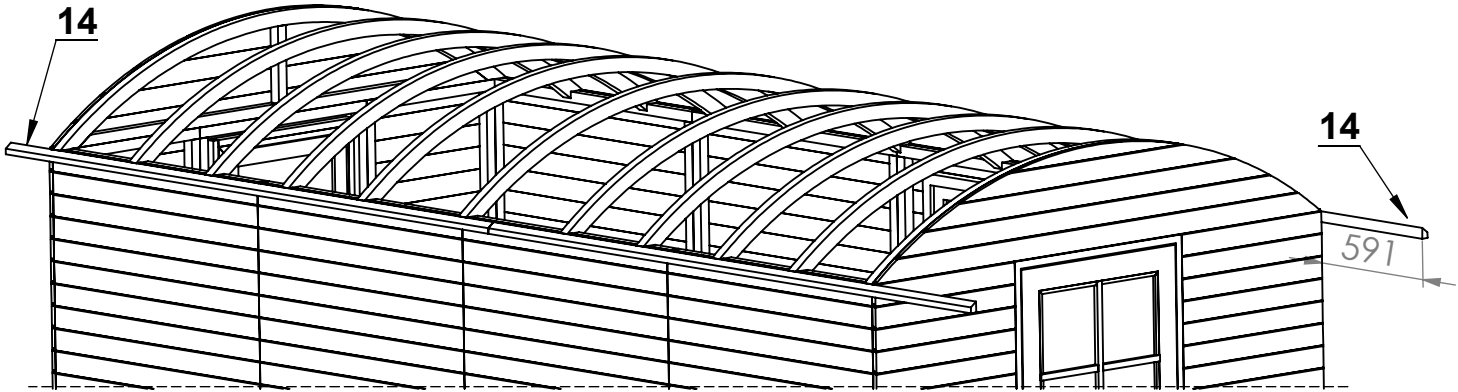


<b>2x50</b>	<b>510</b>
-------------	------------

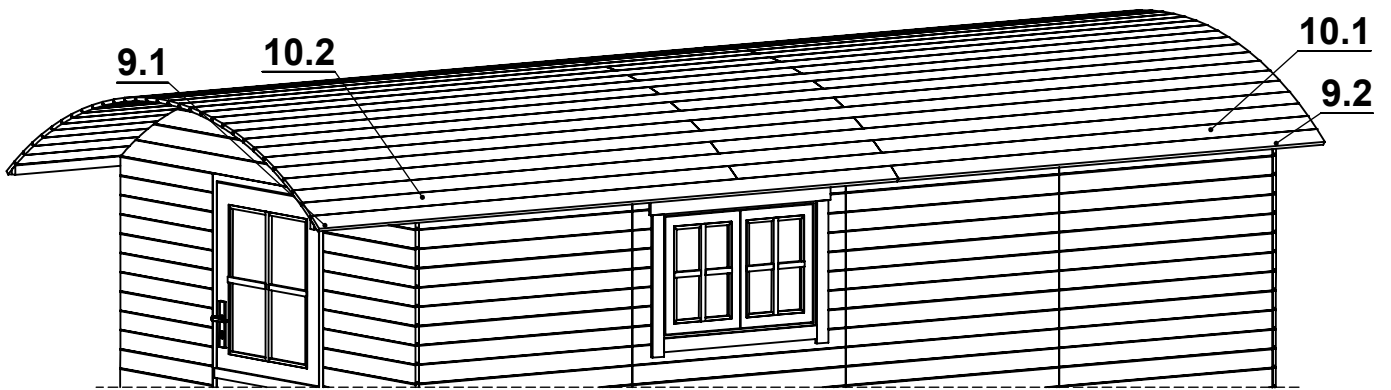
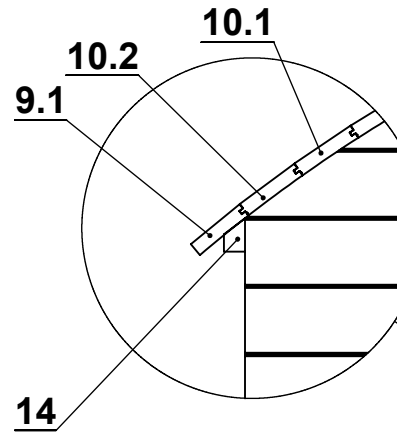


4,5x80	56
4x70	24

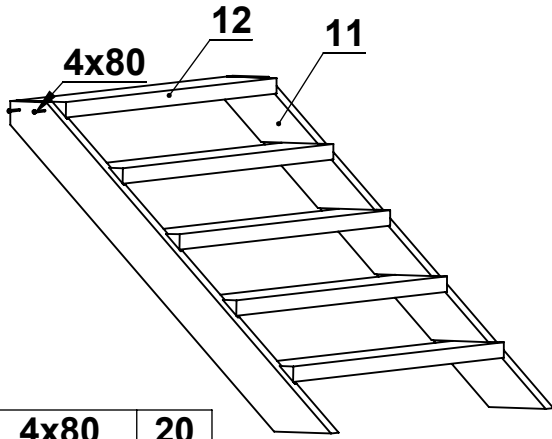




4x70	24
------	----

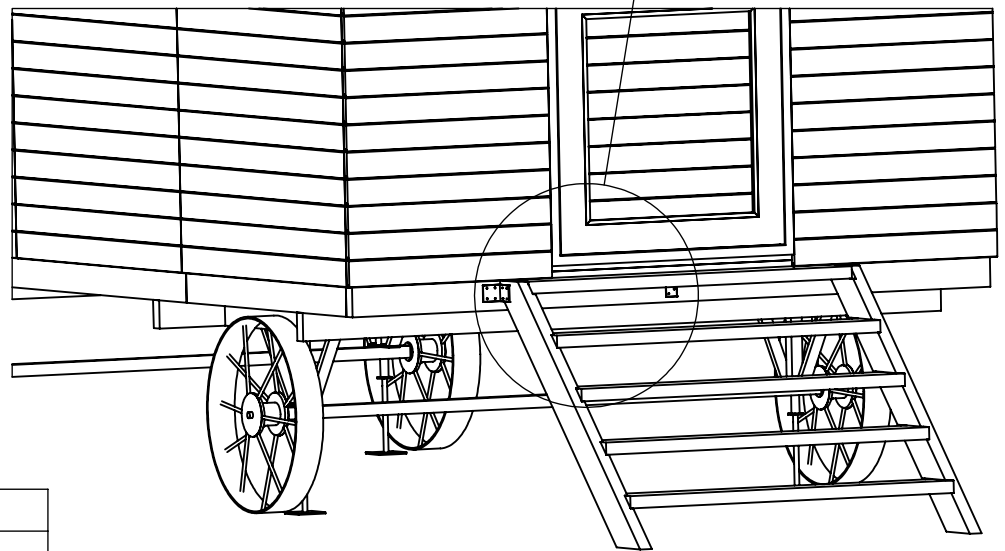
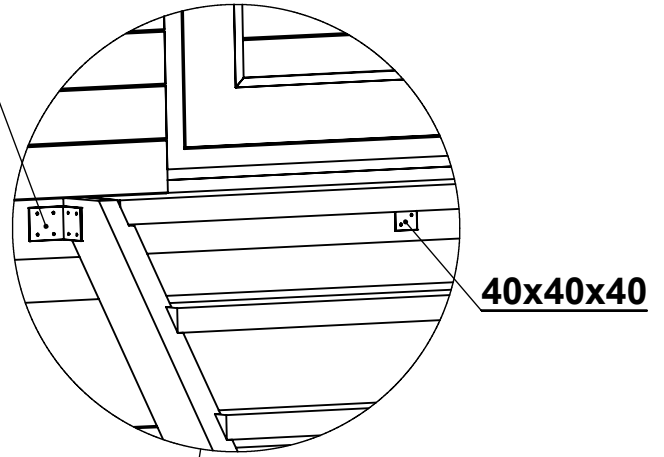


3,5x40	30
2x40	480



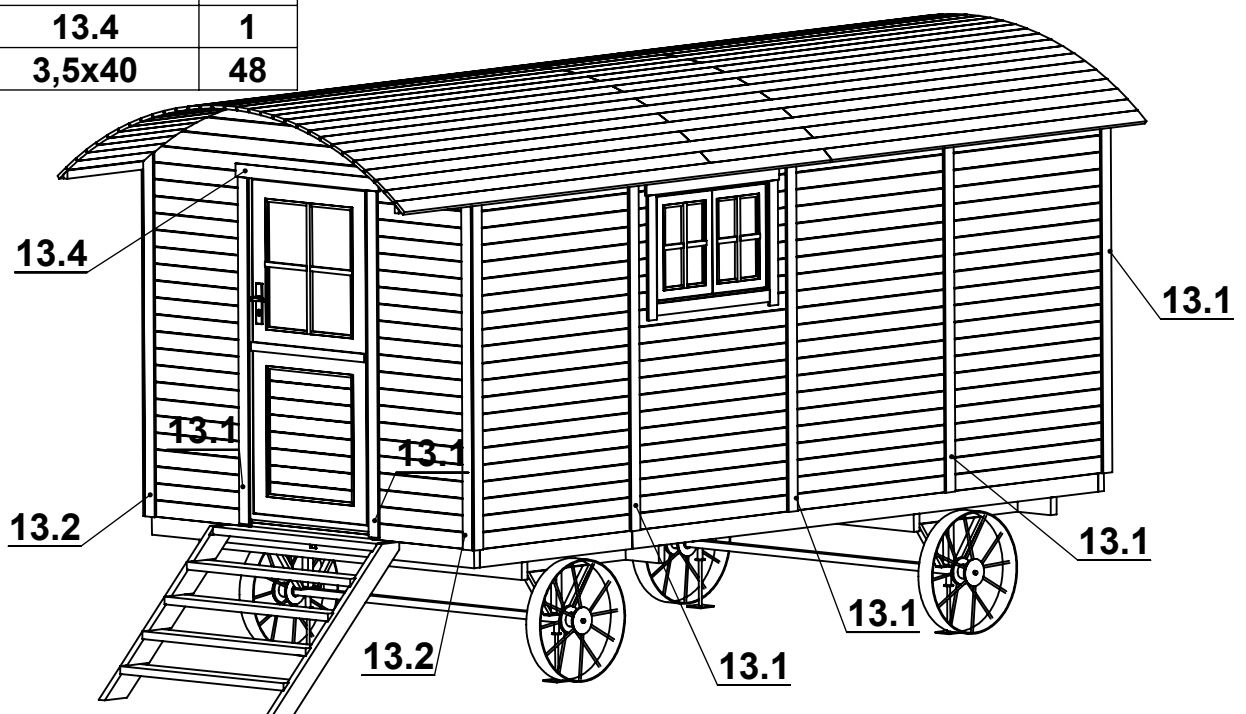
4x80	20
------	----

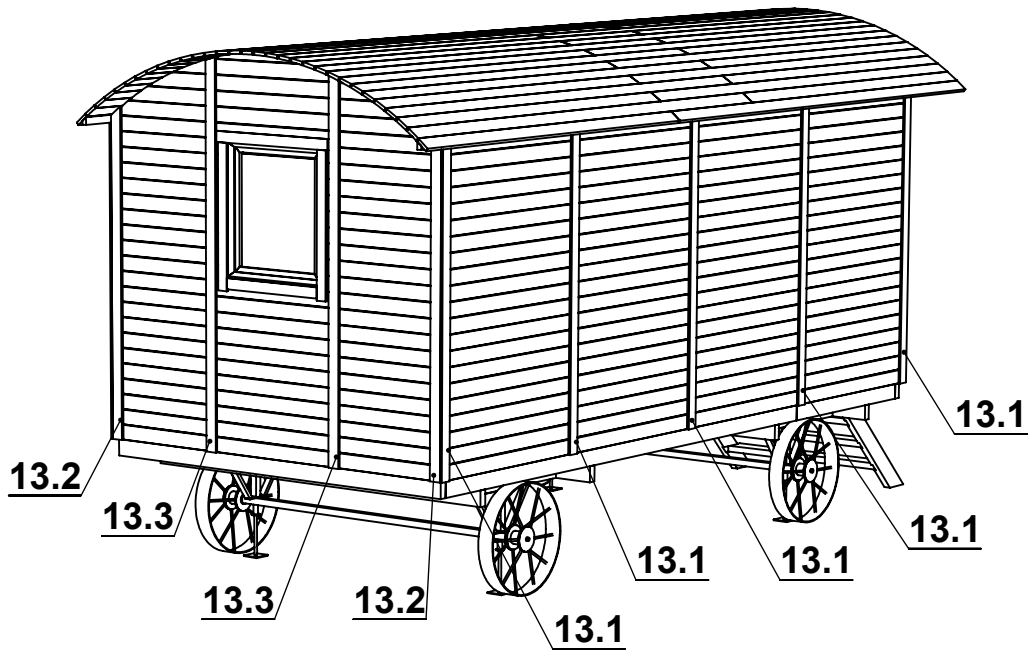
80x80x40



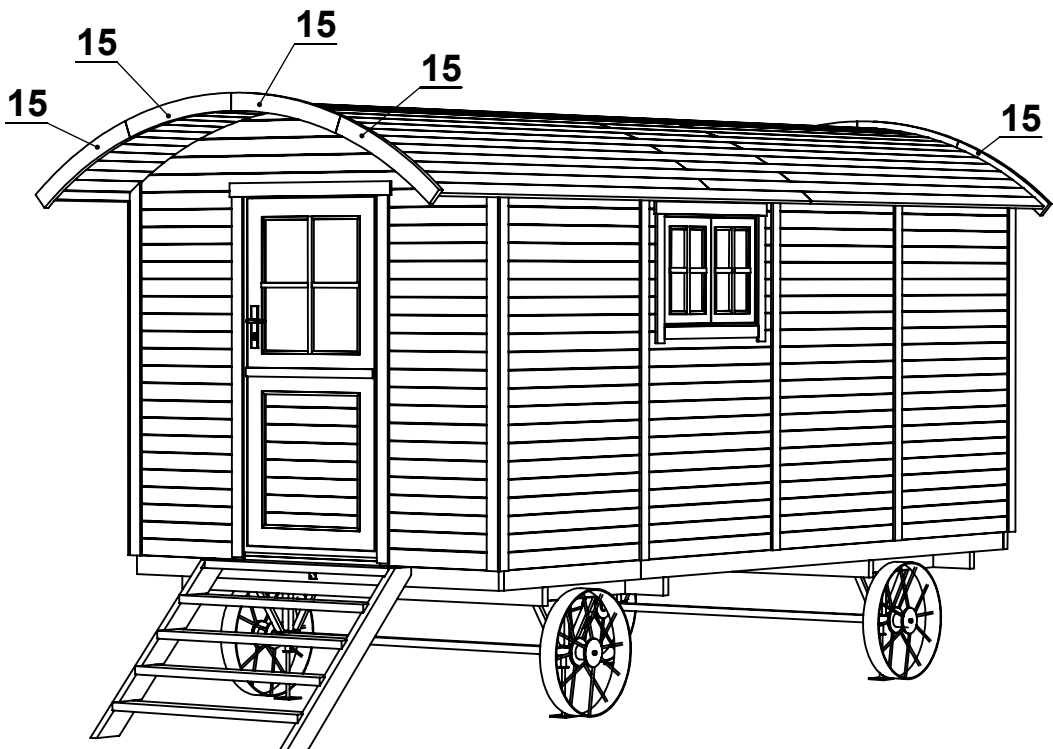
40x40x40	1
80x80x40	2
3,5x40	24

13.1	7
13.2	2
13.4	1
3,5x40	48





13.1	5
13.2	2
13.3	2
3,5x40	45



15	8
4x60	24